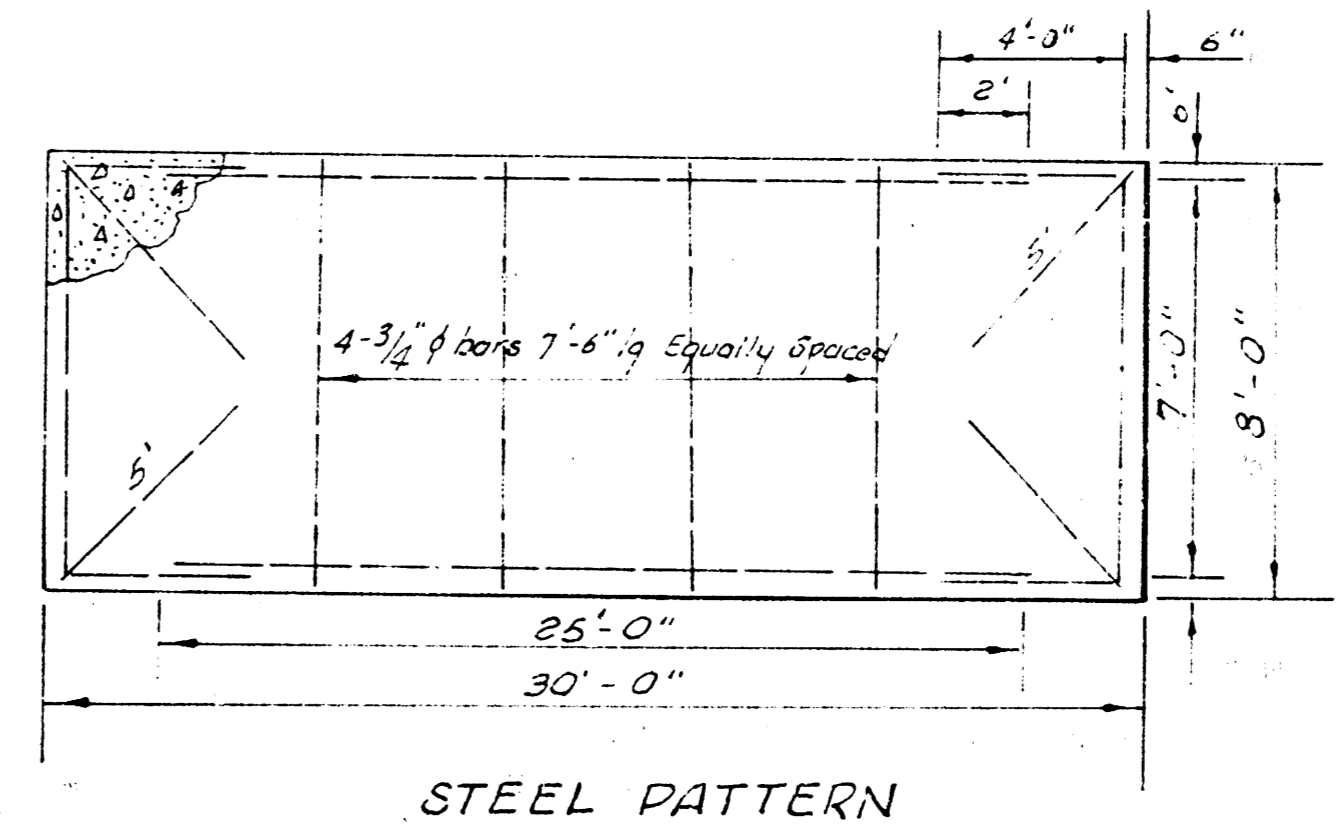
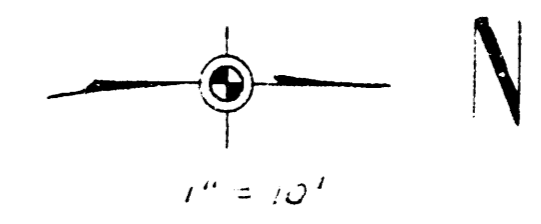
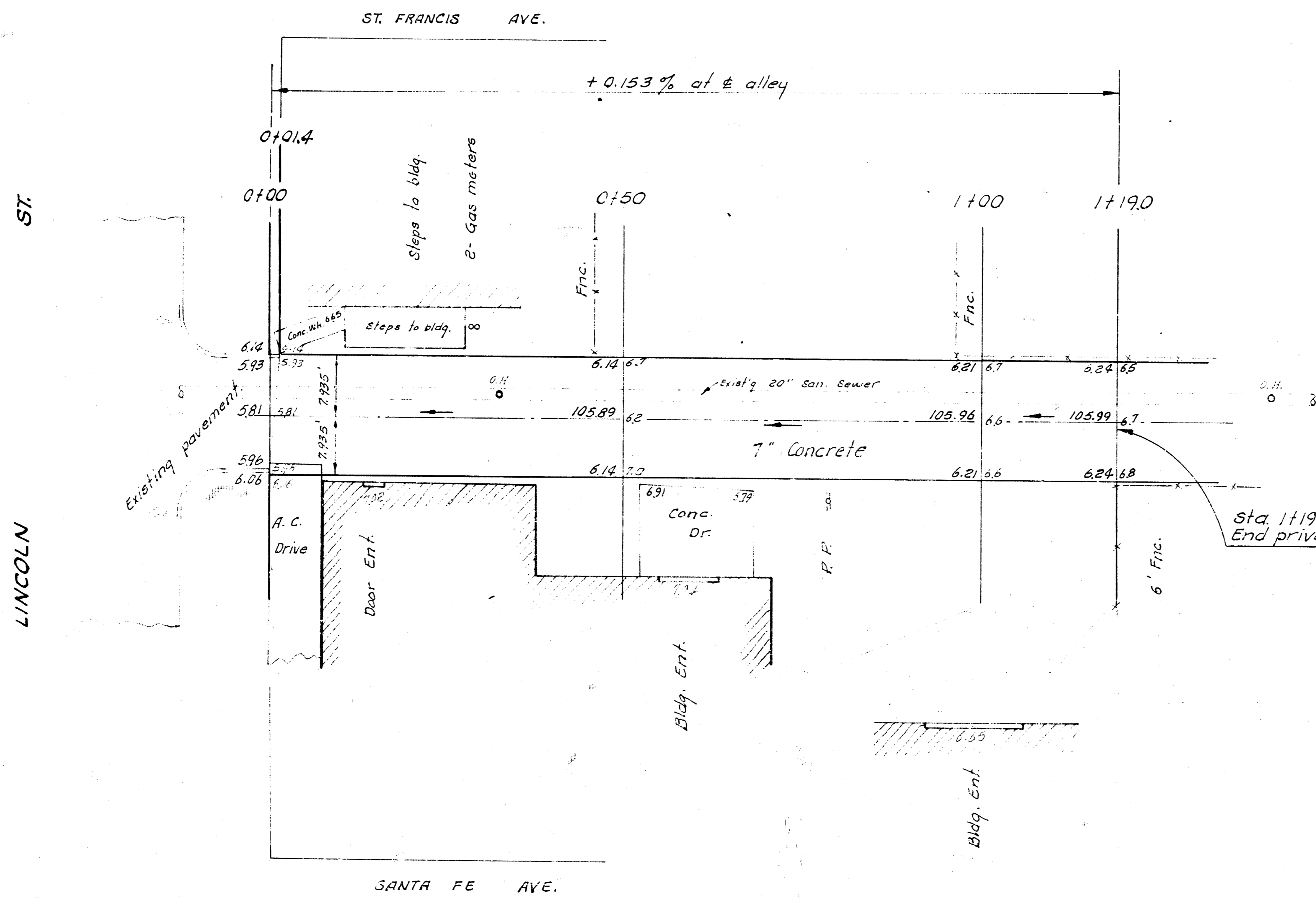


Sta. 1108.75 "A" in Martin 1<sup>st</sup> NE of NE cor. of Emporia & Lincoln.  
 Sta. 1108.75 "A" on N. end Radius W. ab Alley.

LIST OF QUANTITIES

1.00	Excavation
1.00	5" Conc.
1.00	Mastic joint
1.00	Reinf. steel



TYPICAL SECTION  
MASTIC JOINT DETAIL

**ALLEY**  
 BETW. ST. FRANCIS & SANTA FE  
 NL LINCOLN TO 119' N. OF NL LINCOLN  
 16' CONC.-7"  
 CITY OF WICHITA, KANSAS  
 B. E. SMITH CITY ENGINEER  
 APRIL 1965 PRIVATE CONTRACT