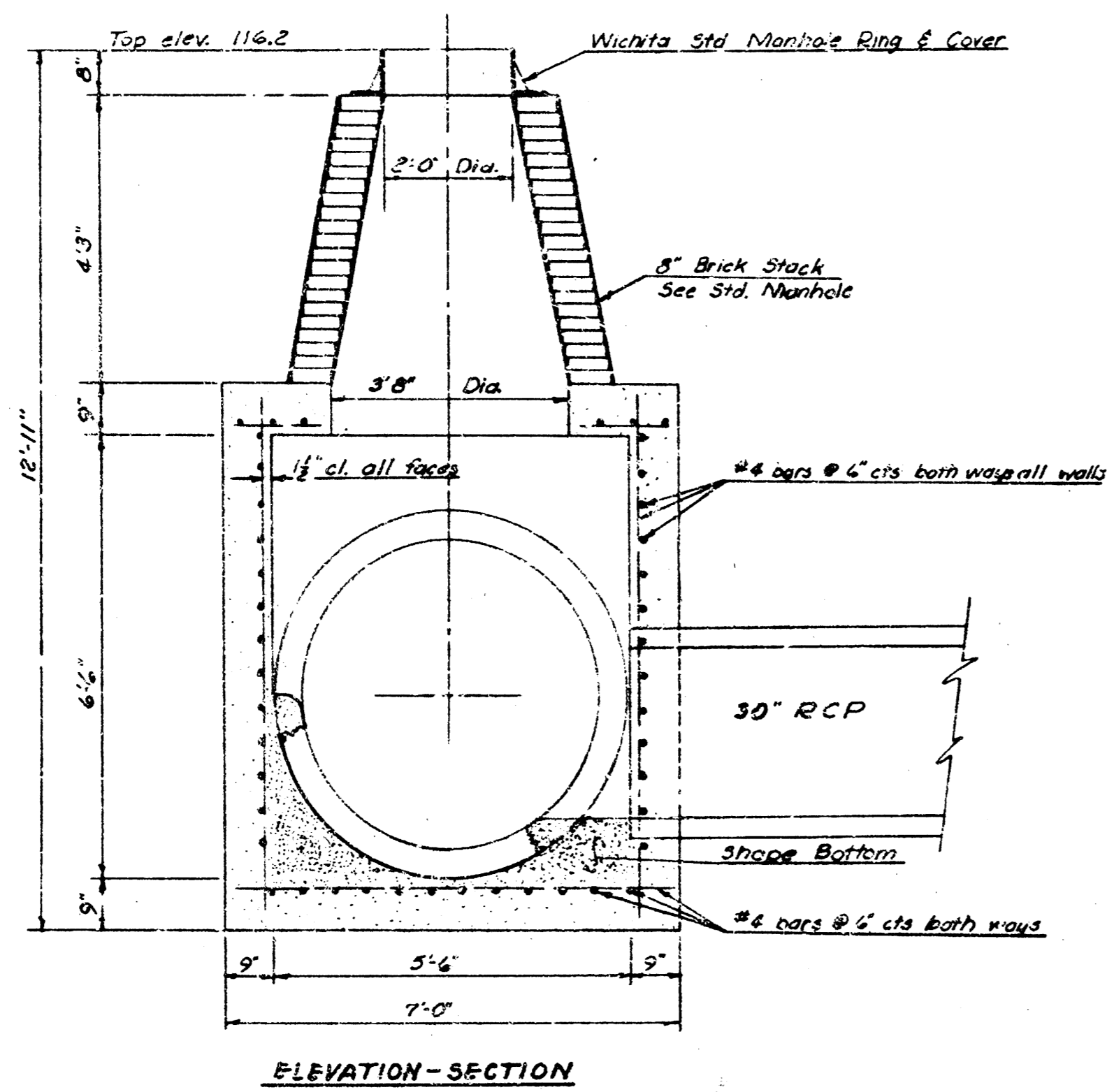
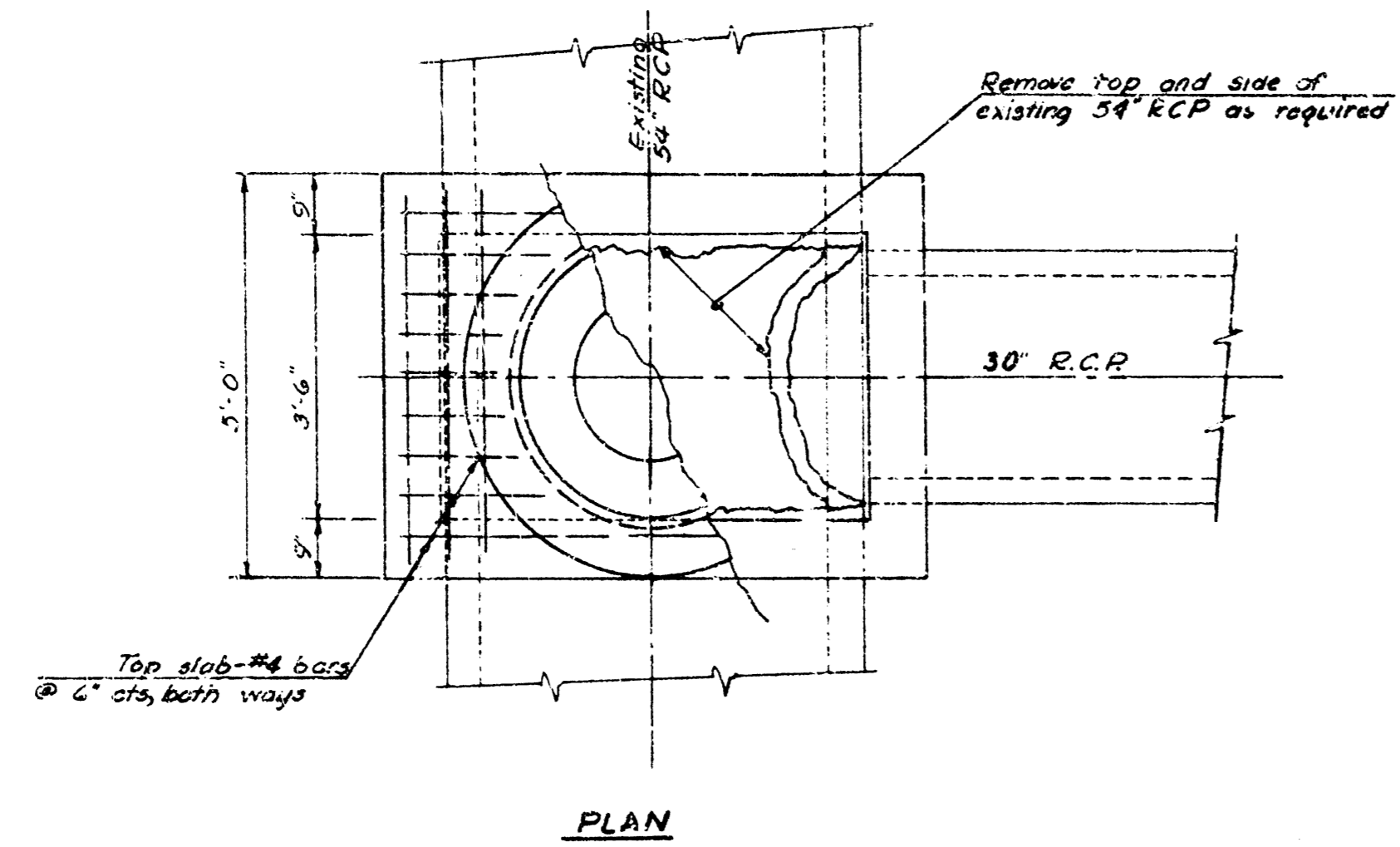


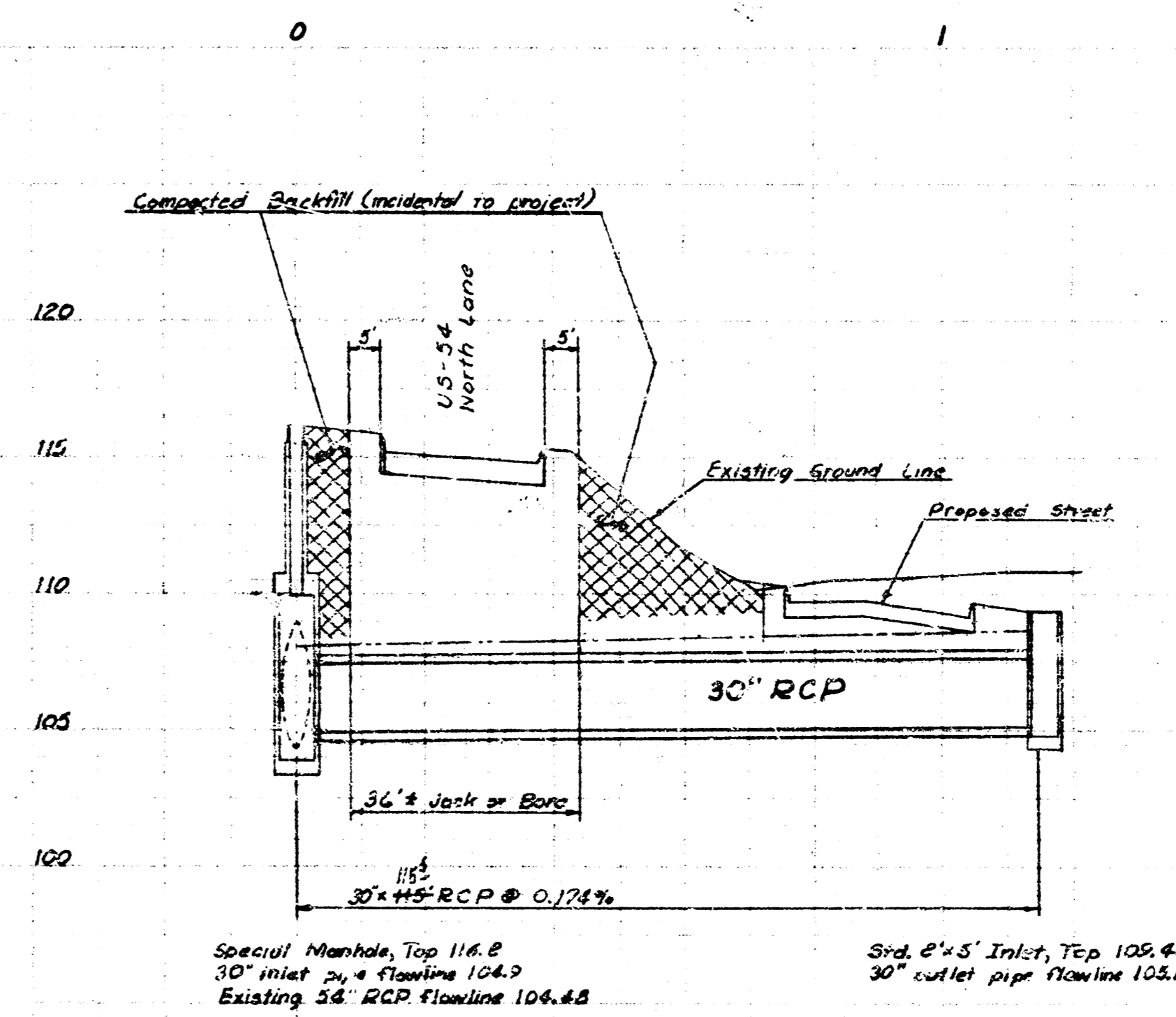
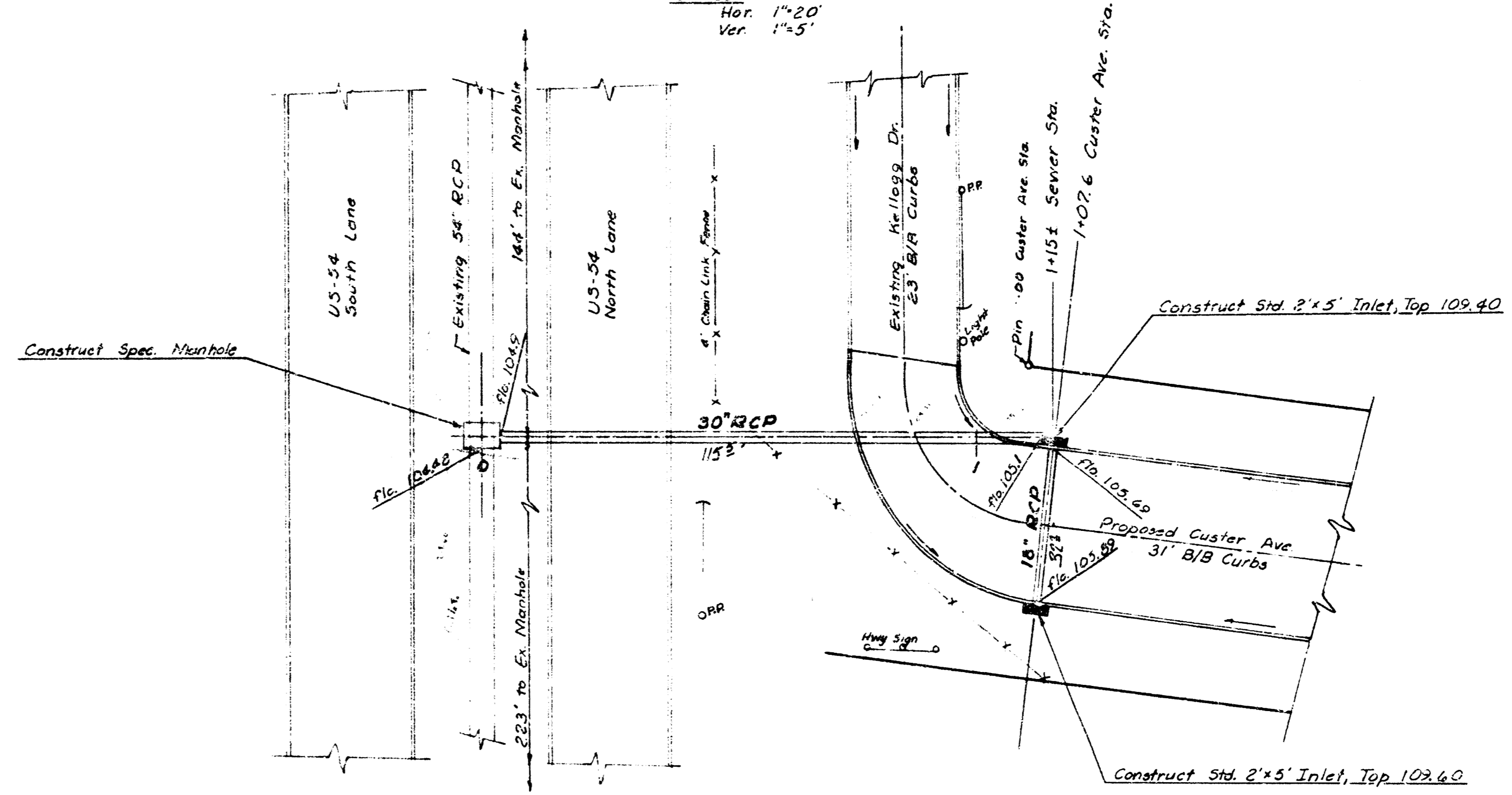
Survey D.L.K. & S.B. by W.B.M.



**SPECIAL MANHOLE DETAIL**  
Scale: 1/4"=1'-0"

6. N.A. 113.87 "M" in Mueller Fire Plug  
N.S. Corner Custer & Taft.

SCALE:  
Hor. 1"=20'  
Ver. 1"=5'



**NOTE:**  
Jack or Bore Pipe to be Class III reinforced concrete pipe with joints so formed that when the pipes are laid together, the outside shell will make a continuous and uniform line. Maximum length of pipe to be 8' with reinforcing in both tongue and groove portion of joint. Gaskets shall be installed between sections to be pushed. One 2" grout nipple shall be installed per section of pipe. After pipe is in place, all interior joint voids to be filled and made smooth, and voids on outside of pipe to be filled by pumping grout through 2" nipples.

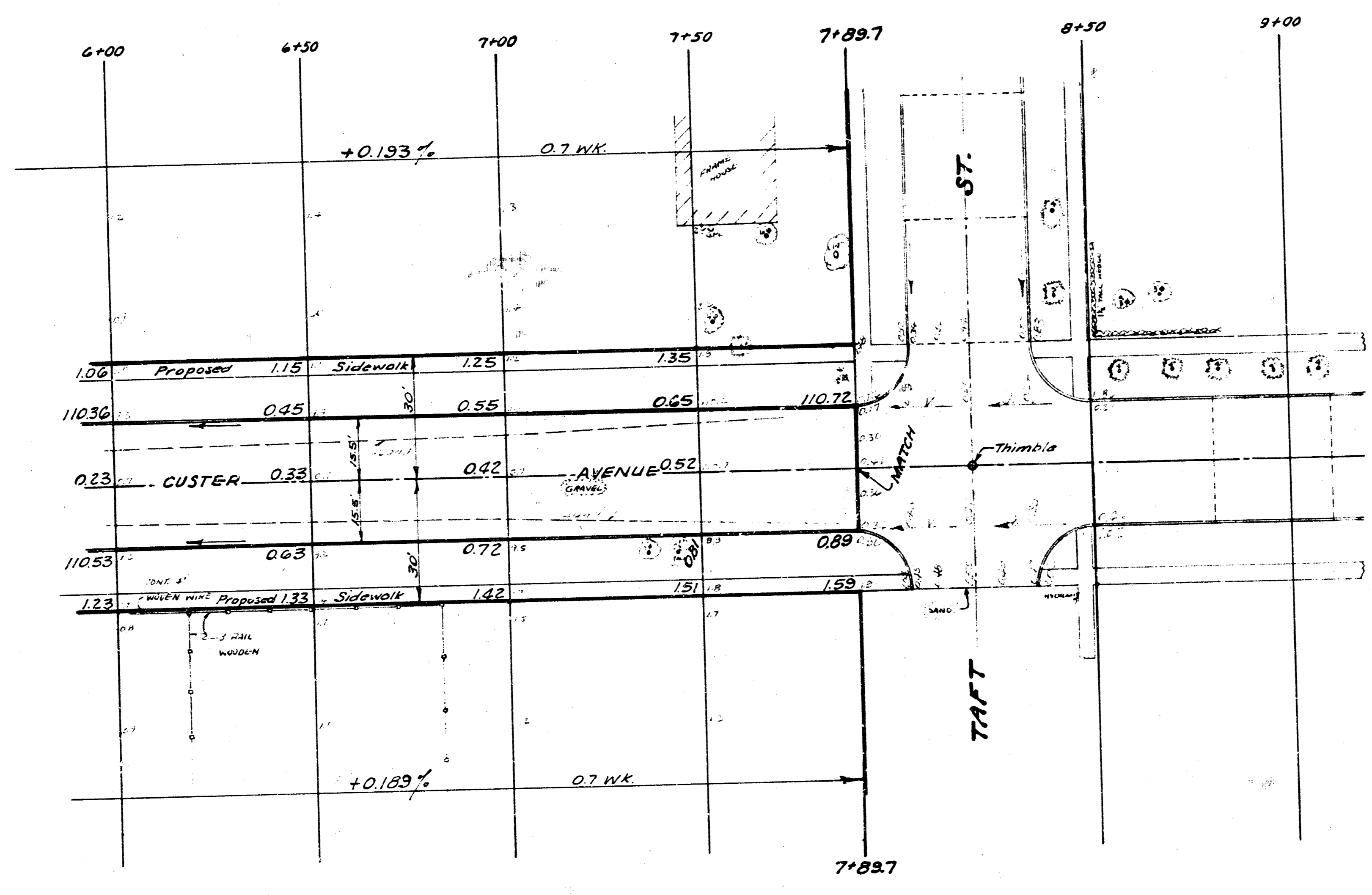
Bid Price for Pipe includes all material and work (jacking, etc.) required for pipe in place.

AS BUILT FROM FINAL MEASUREMENTS IN S.W.S. #1 JK  
DRAINAGE IN CONNECTION WITH CUSTER AVE  
PAVING FROM KELLOGG DR. TO TAFT ST.  
R.W. LINN, CITY ENGINEER  
CITY OF WICHITA, KANSAS  
DATE MAY 1972

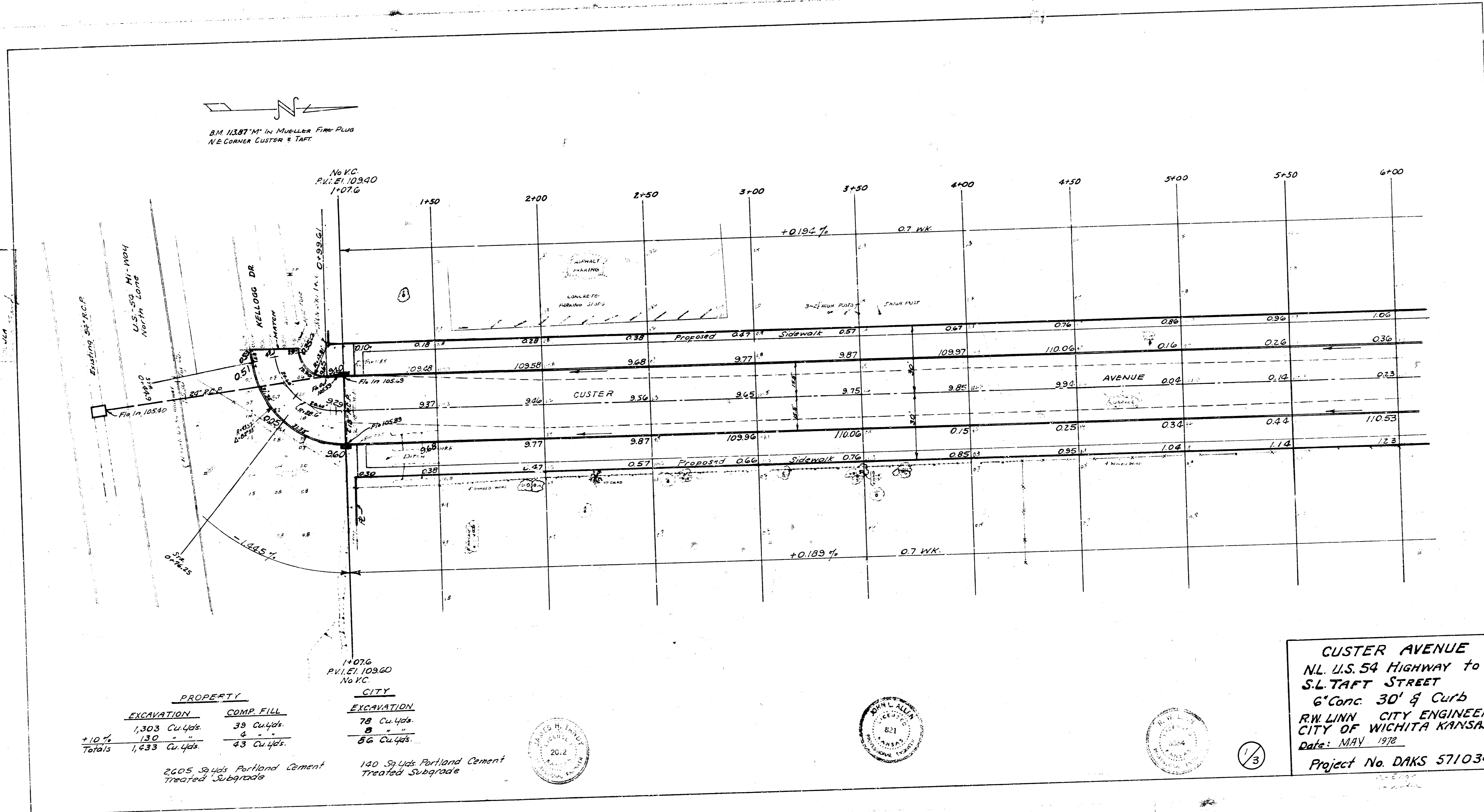
PROJECT NO. DAKD 571034

SHEET 1 OF 1

3" x 11.37" IN. MUELLER FIRM. PLUS  
 NE CORNER CUSTER & TAFT



BM 13.87' IN MUELLER FIRE PLUG  
N.E. CORNER CUSTER & TAFT



Survey Data  
 10/24/72  
 10/24/72  
 10/24/72

PROPERTY		CITY	
EXCAVATION	COMP. FILL	EXCAVATION	COMP. FILL
1,303 Cu.Yds.	39 Cu.Yds.	79 Cu.Yds.	8 Cu.Yds.
130 "	4 "	56 Cu.Yds.	
<b>Totals 1,433 Cu.Yds.</b>	<b>43 Cu.Yds.</b>		

2605 Sq.Yds Portland Cement  
Treated Subgrade

CITY	
EXCAVATION	COMP. FILL
79 Cu.Yds.	8 Cu.Yds.
56 Cu.Yds.	

140 Sq.Yds Portland Cement  
Treated Subgrade



1/3

**CUSTER AVENUE**  
 N.L. U.S. 54 HIGHWAY to  
 S.L. TAFT STREET  
 6" Conc. 30' & Curb  
 R.W. LINN CITY ENGINEER  
 CITY OF WICHITA KANSAS  
 Date: MAY 1972  
 Project No. DAKS 571034