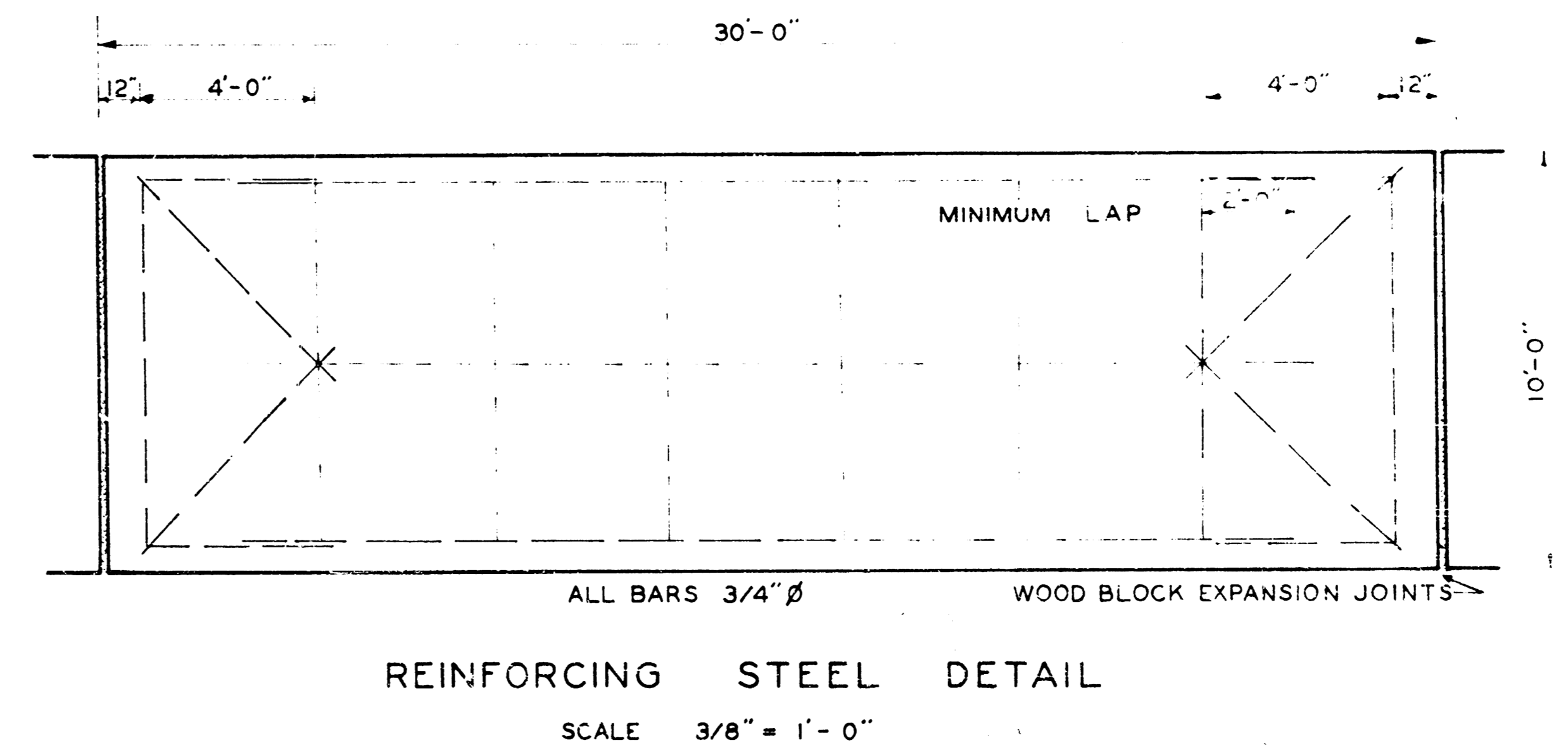
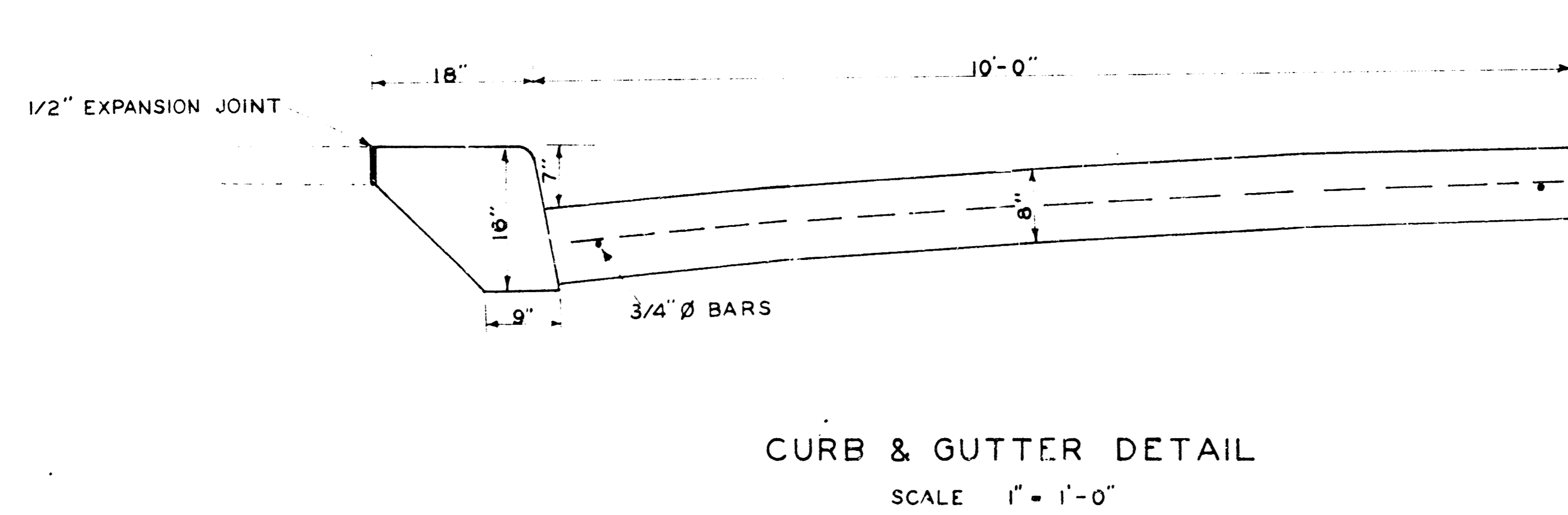
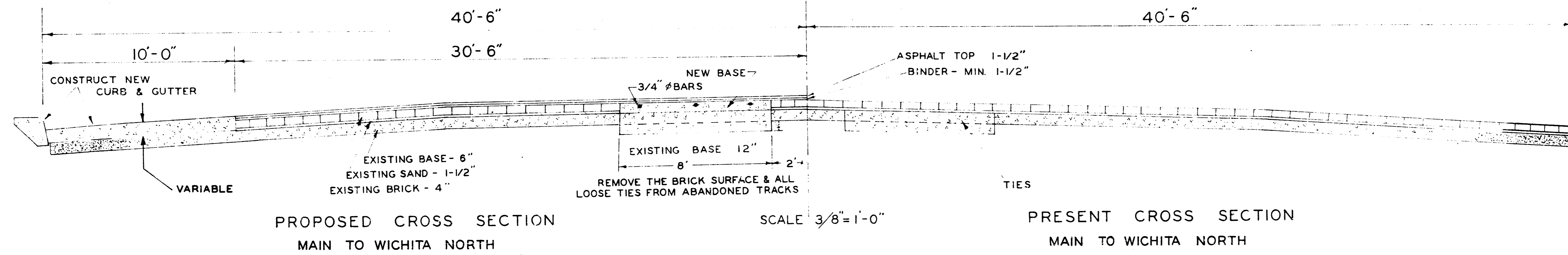
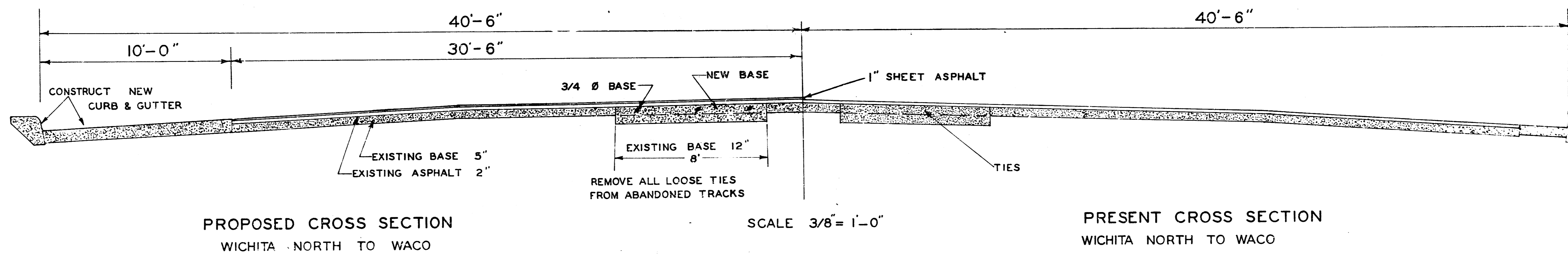
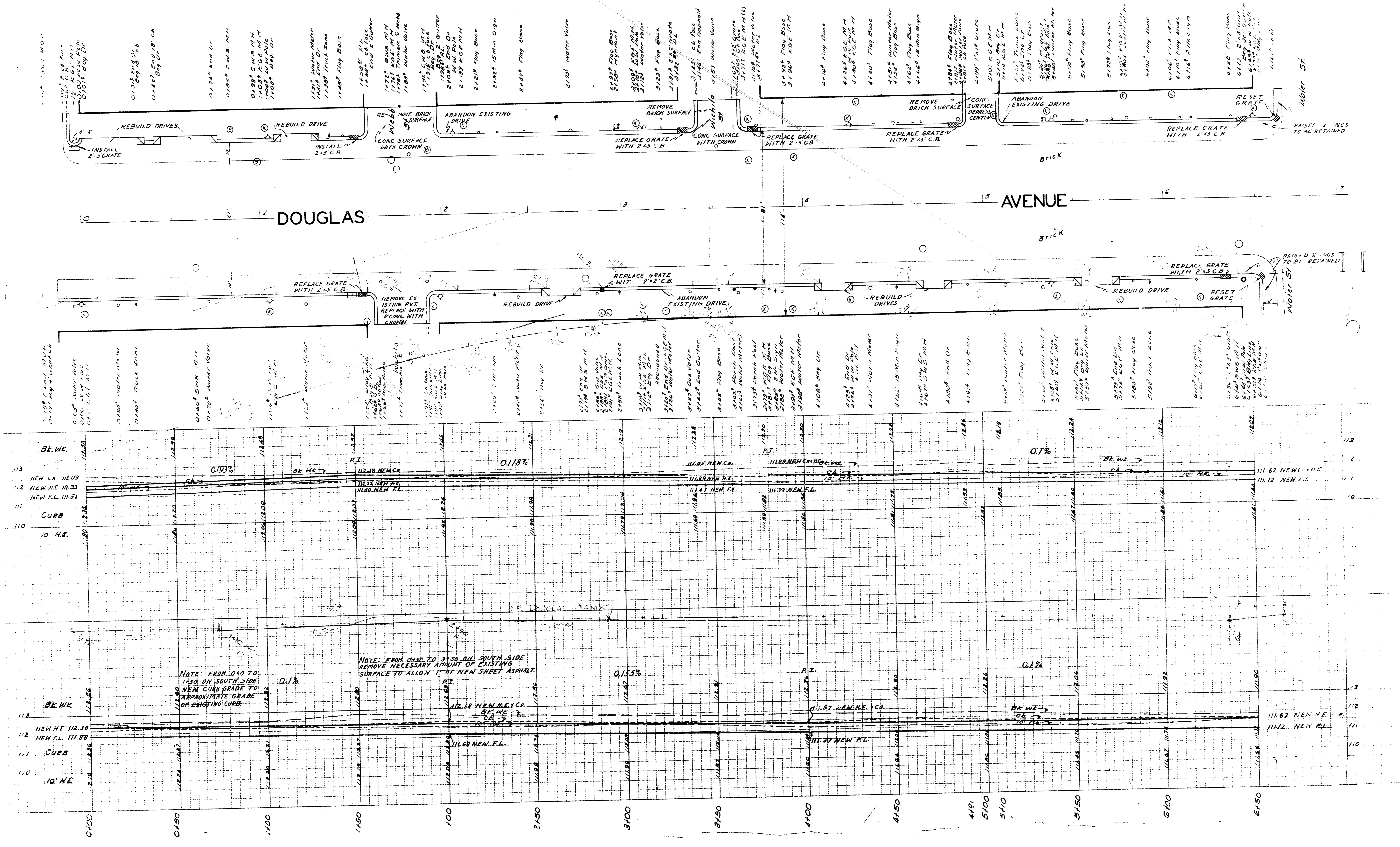


DOUGLAS AVENUE
 E.L.WACO ----- W. L. MAIN
 1946





NOTE: FROM 0+10 TO 1+50 ON SOUTH SIDE, NEW CURB GRADE TO APPROXIMATE GRADE OF EXISTING CURB.

NOTE: FROM 0+50 TO 3+50 ON SOUTH SIDE, REMOVE NECESSARY AMOUNT OF EXISTING SURFACE TO ALLOW 1" OF NEW SHEET ASPHALT.

