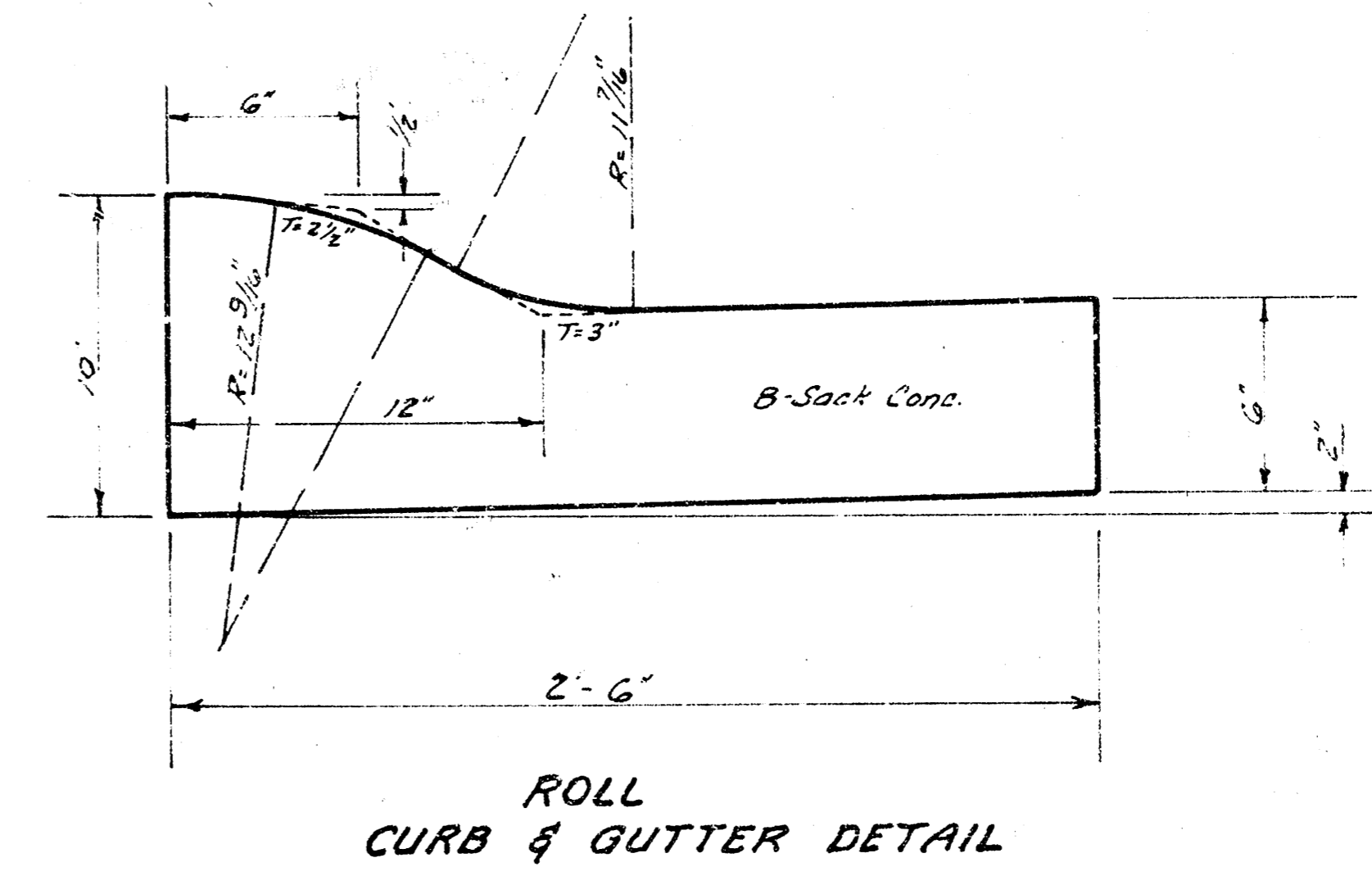
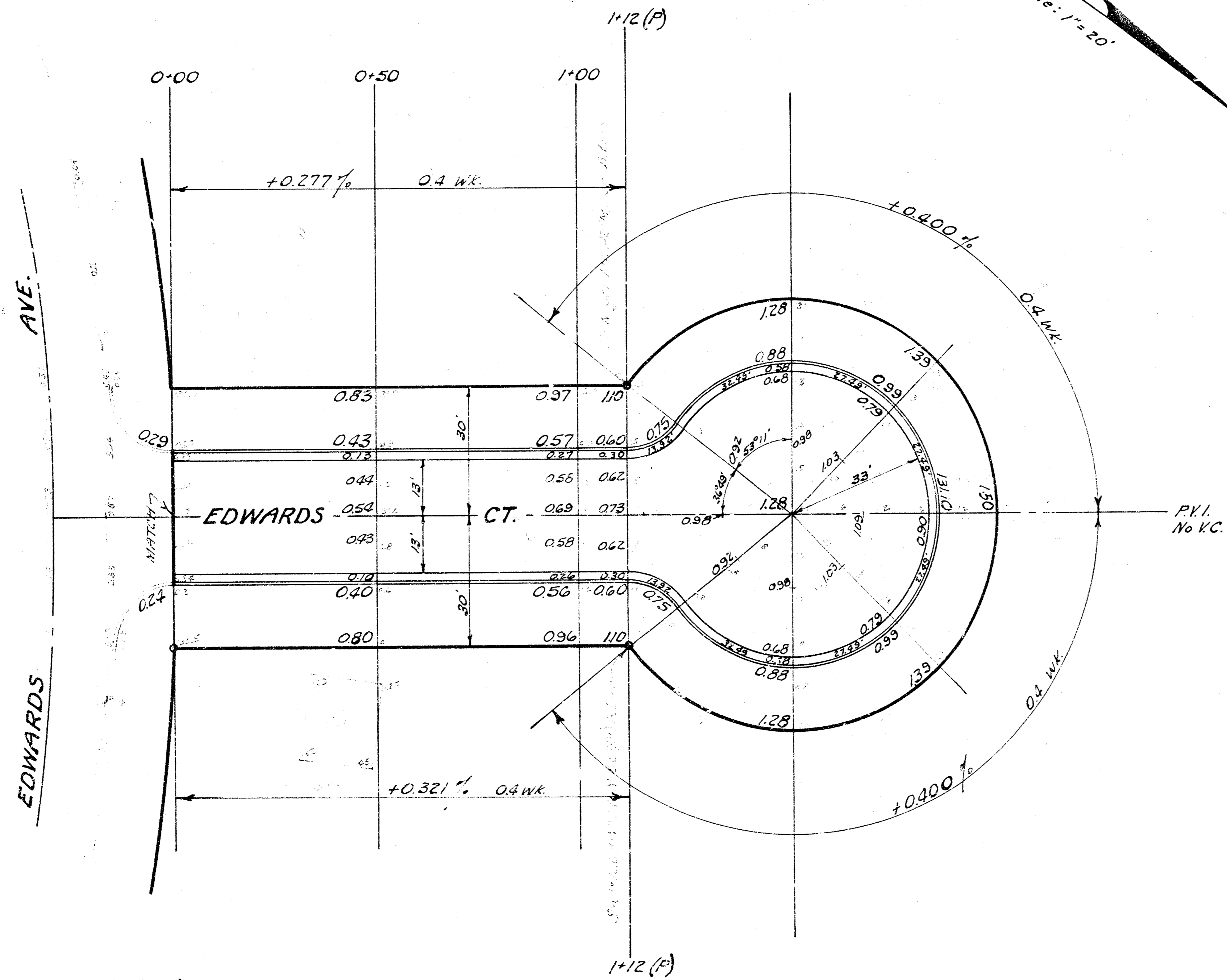


B.M. 130.74 NW corner conc.
step No. #2896 Halstead.

B.M. 132.50 SW corner conc.
porch No. #2891 Edwards

Scale: 1" = 20'



NOTE: Depress Curb @ all driveways.

EXCAVATION	
321	Cu Yds.
+10 1/2	32
Total	353 Cu Yds.

EDWARDS COURT
NORTH CT. IN BLK 1 VALLEY PARK ADJ.
FROM WIL. EDWARDS TO & INC. CUT-DE
26'-2'-30" ASPH. CONC.
B.E. SMITH CITY ENGINEER
CITY OF WICHITA KANSAS
Date: July 1922
Proj. No. C13-81

FILMED FROM THE BEST
AVAILABLE COPY.....