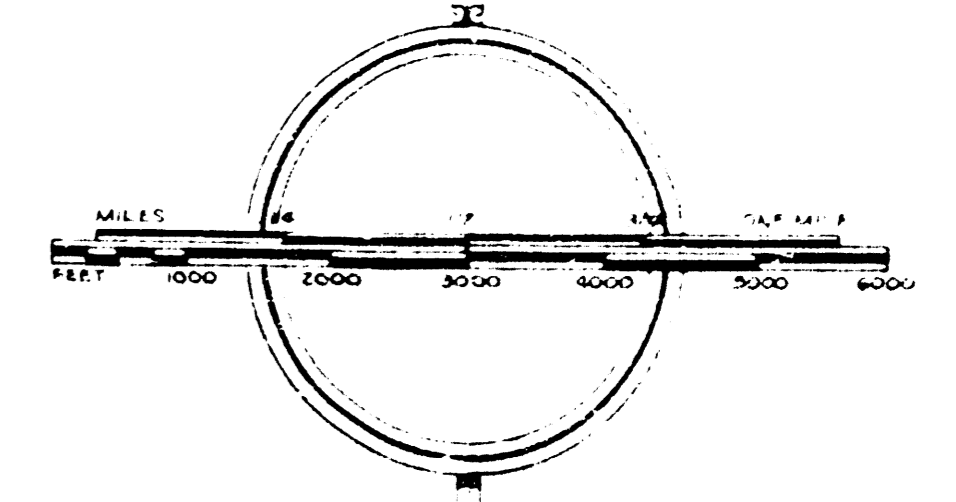
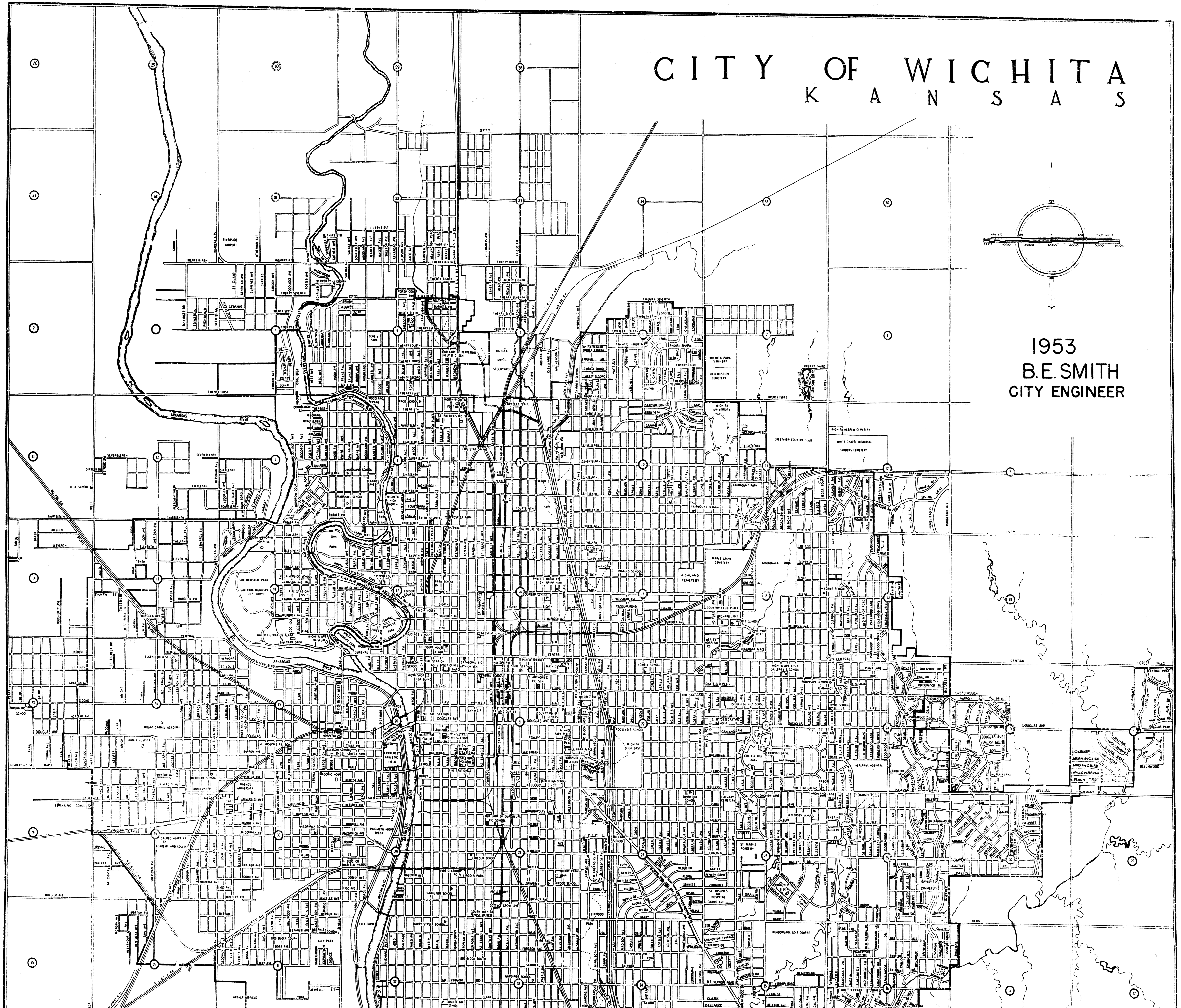
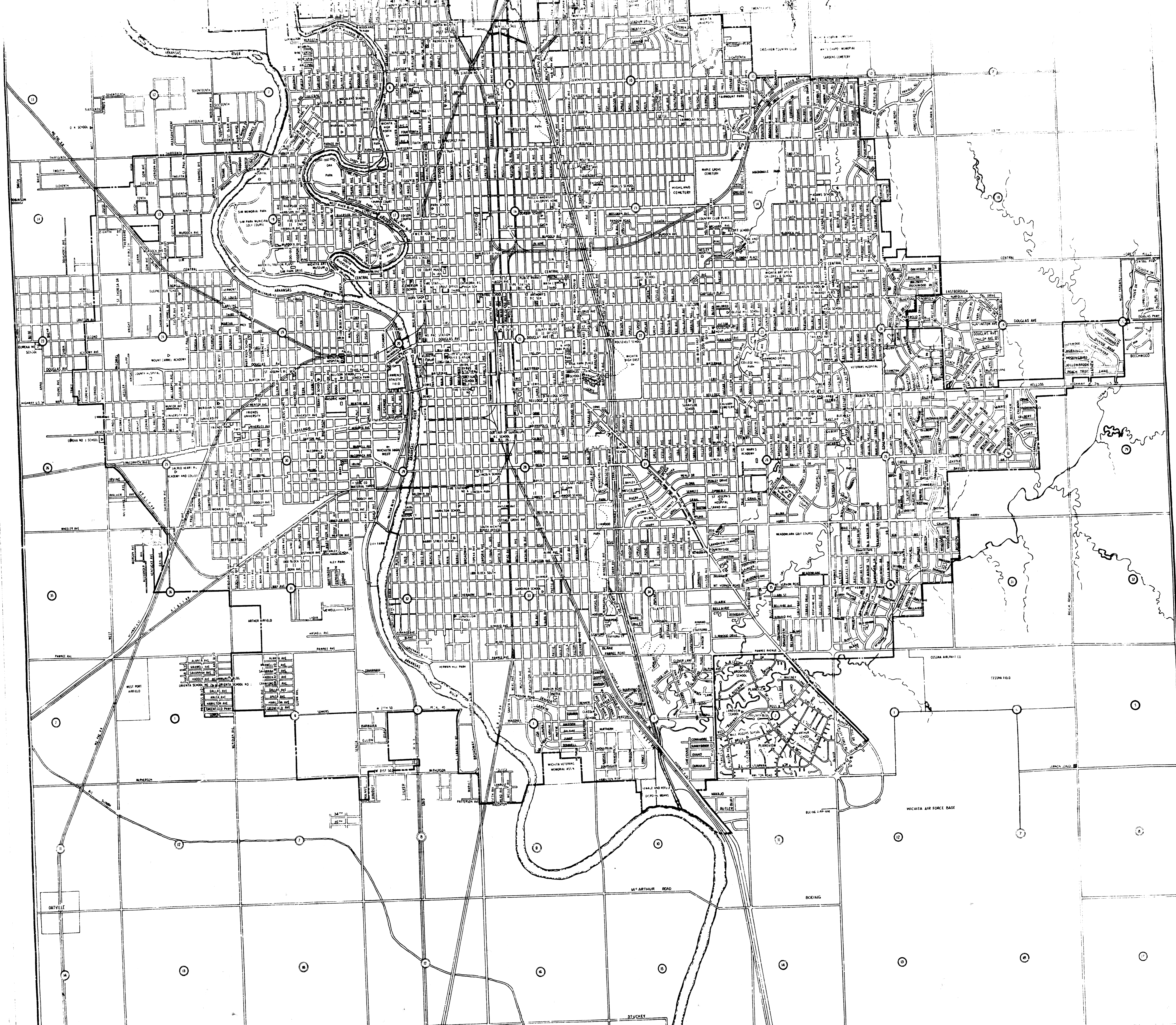


# CITY OF WICHITA K A N S A S

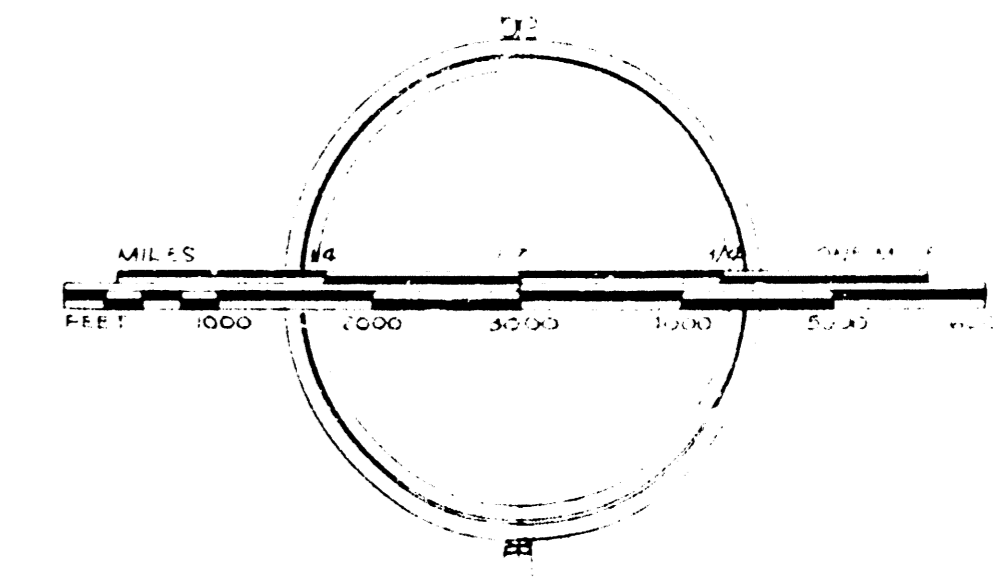


1953  
B.E. SMITH  
CITY ENGINEER

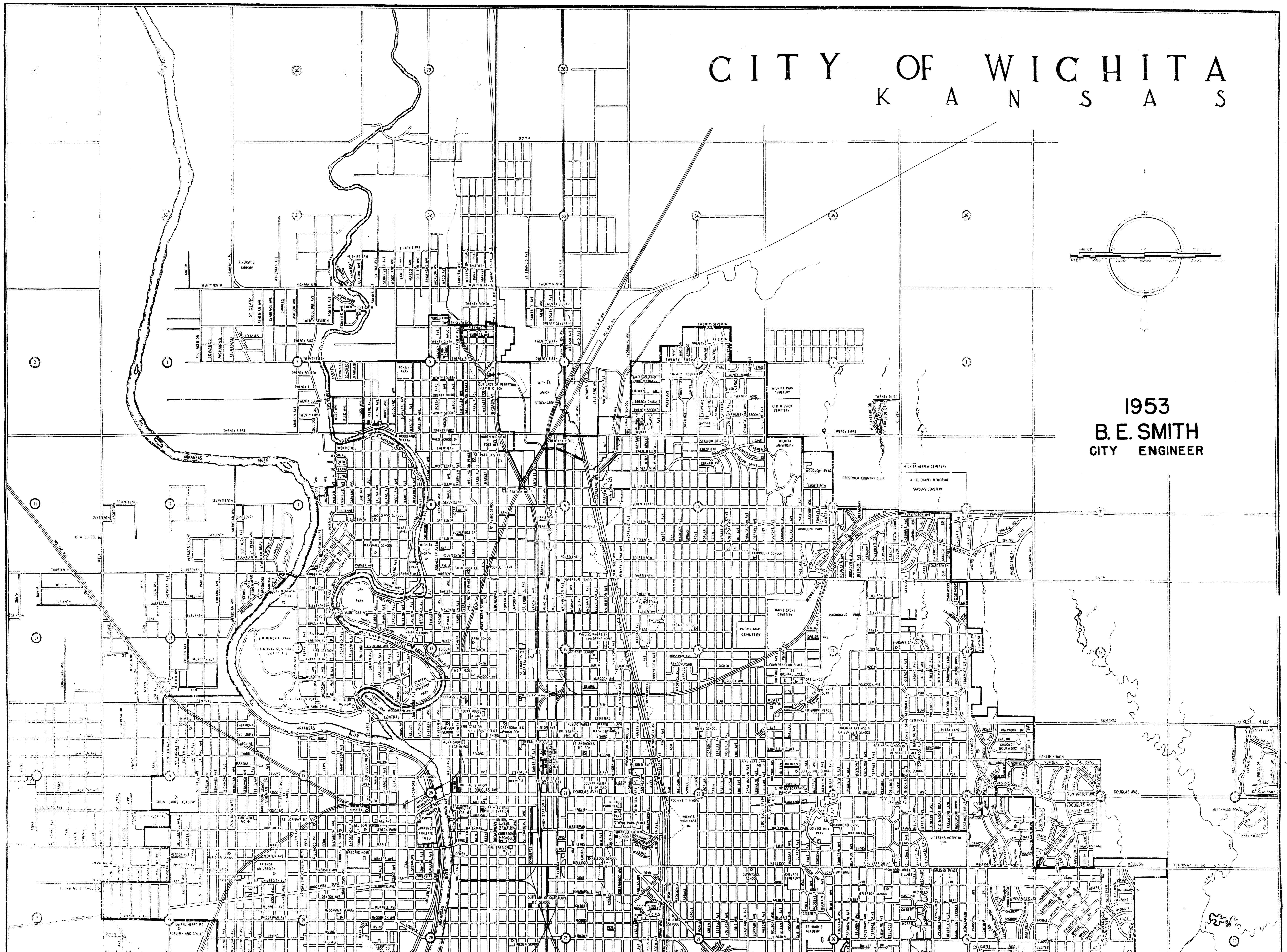




# CITY OF WICHITA K A N S A S



1953  
B. E. SMITH  
CITY ENGINEER



# CITY OF WICHITA KANSAS

1953  
B.E. SMITH  
CITY ENGINEER

