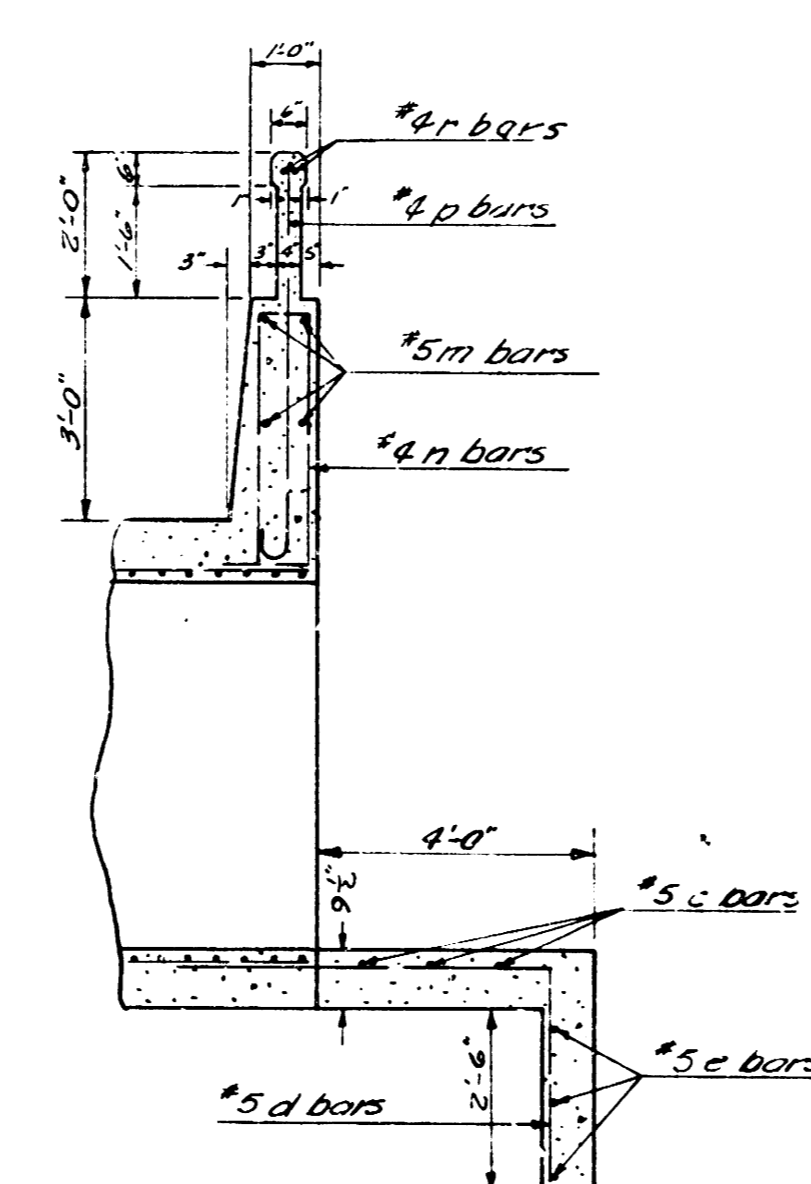


CROSS SECTION OF BOX

SCALE: 3/8"=1'-0"

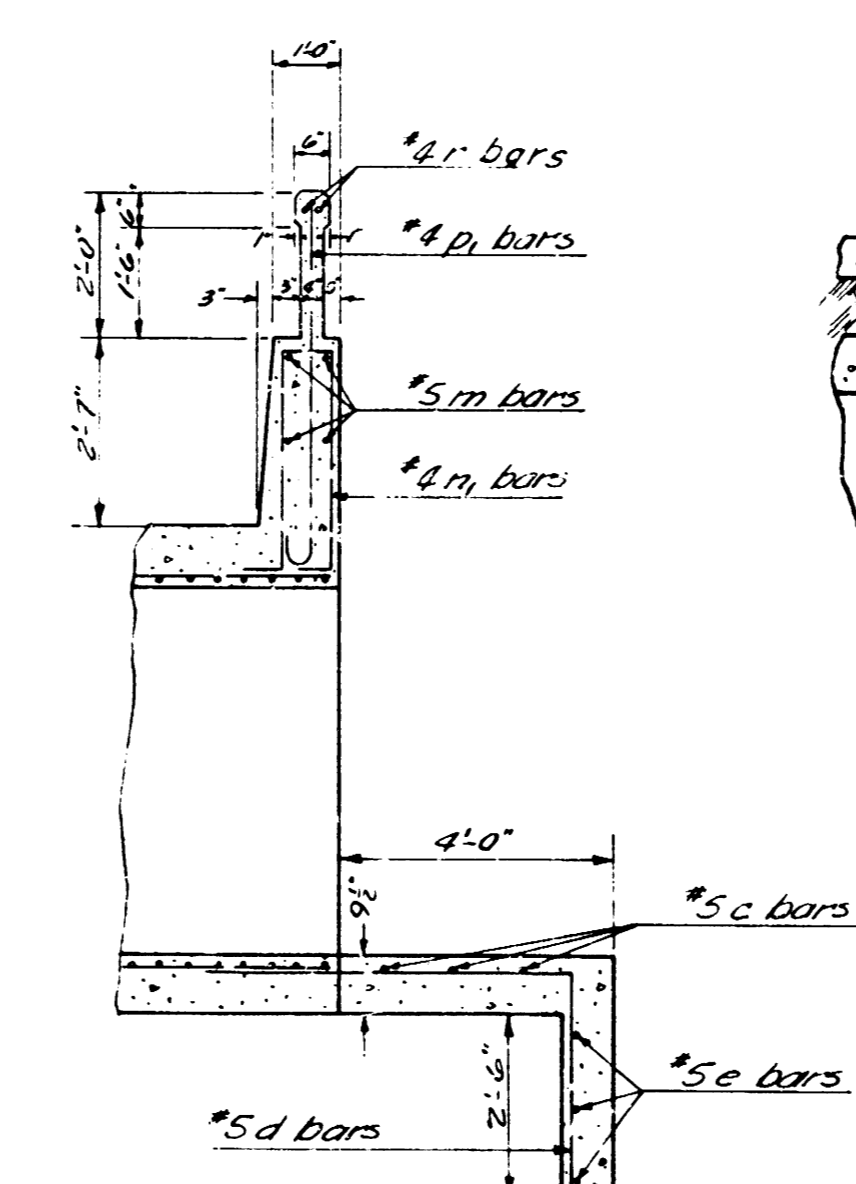
NOTE: General Excavation is to be extended 3" each side of box & walkways. Fill is to be carried over top of box to approx. grade of bottom of new pvt. Fill is to be sand stabilized. Fill to be mechanically tamped 3 sides of box.

NOTE: Tar paper between boxes will not be a separate bid item but will be included in the price of concrete.



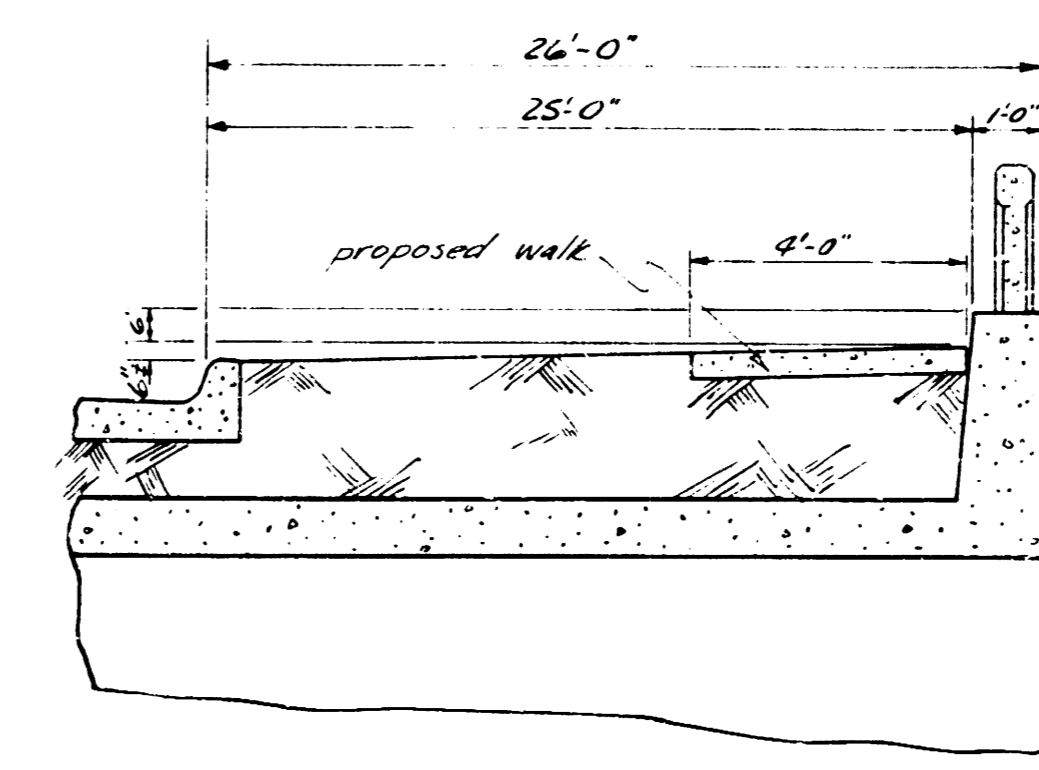
SECTION B-B

No Scale



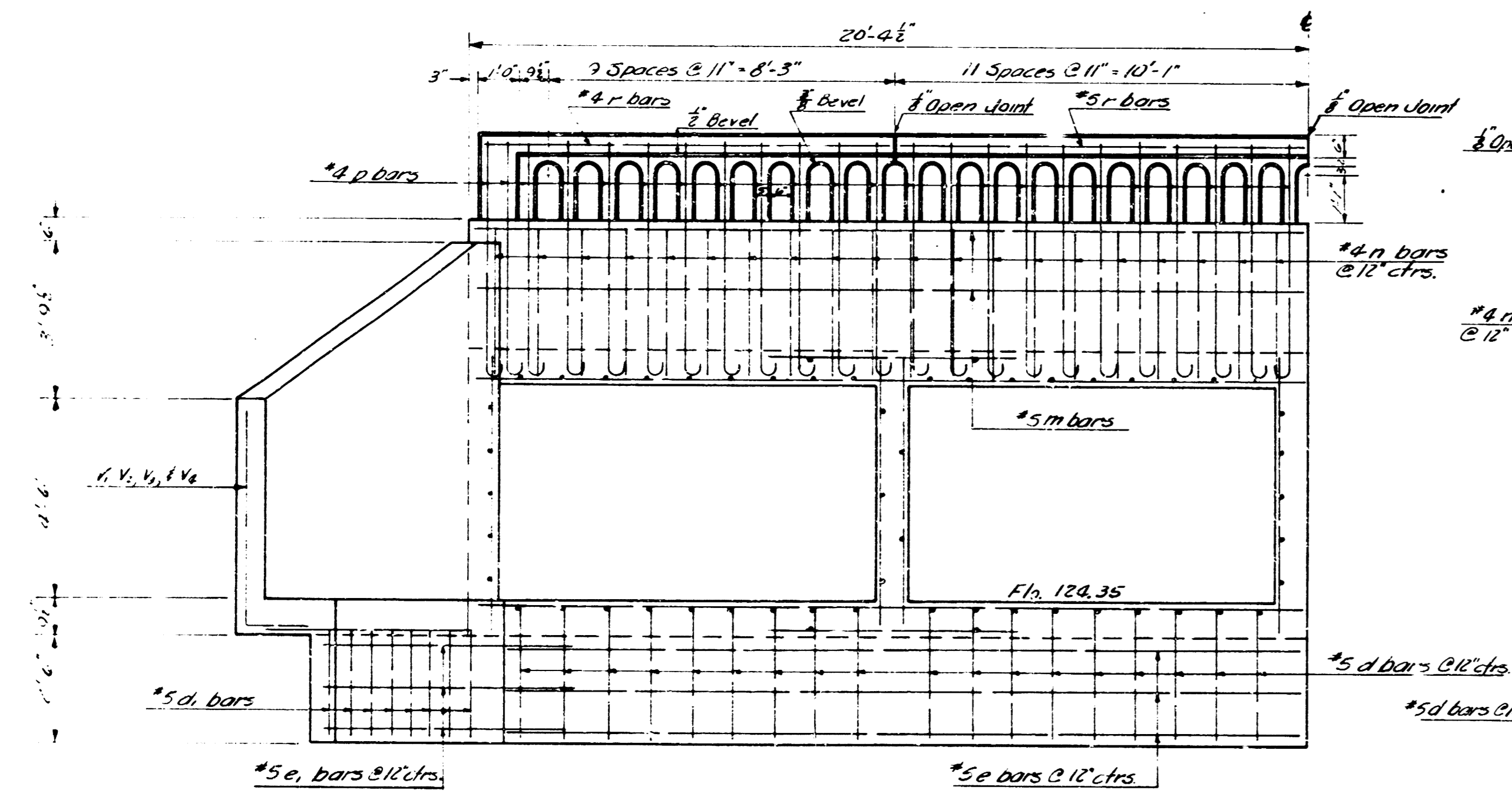
SECTION C-C

No Scale



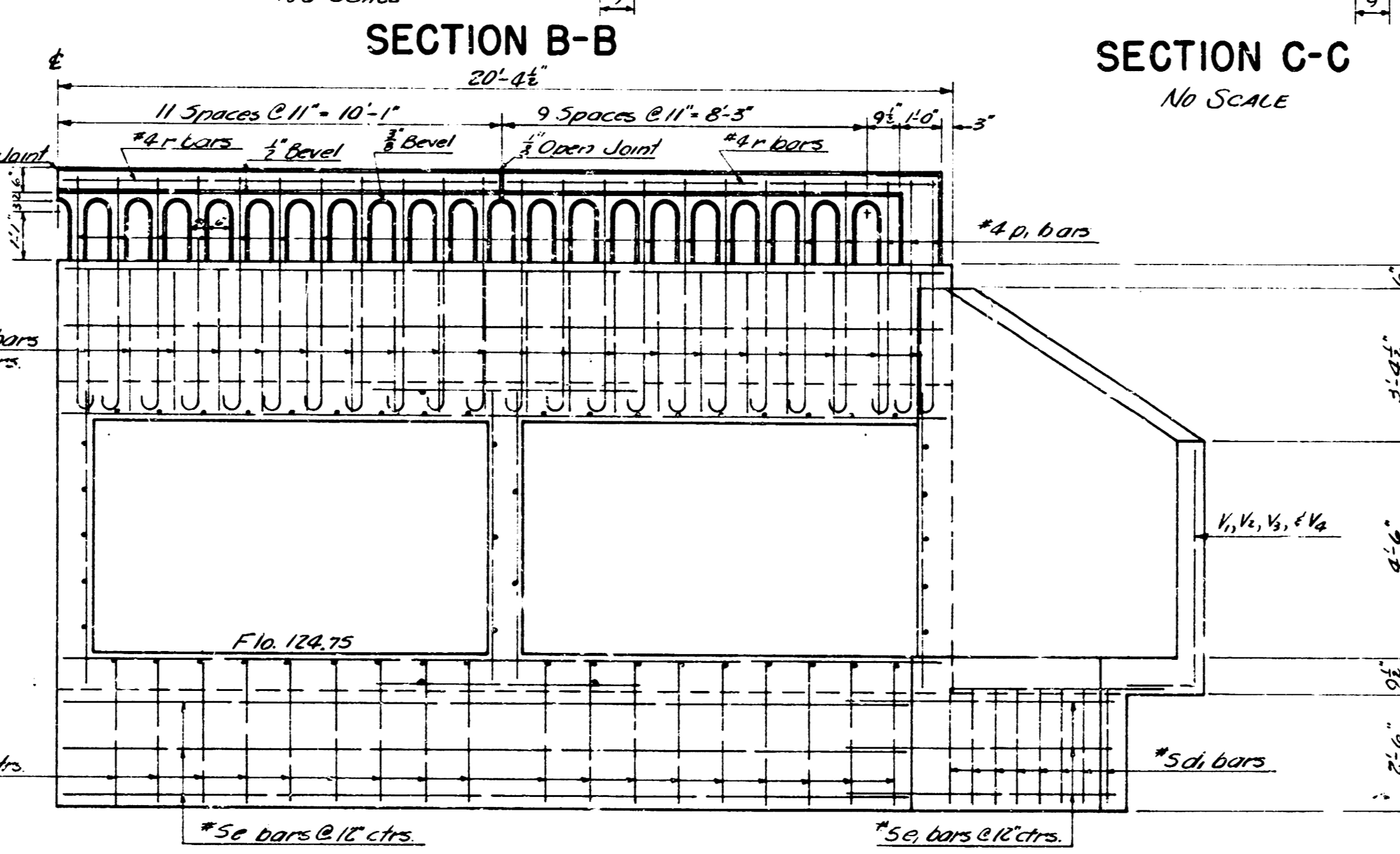
SECTION THRU WALK & PARAPET

No Scale



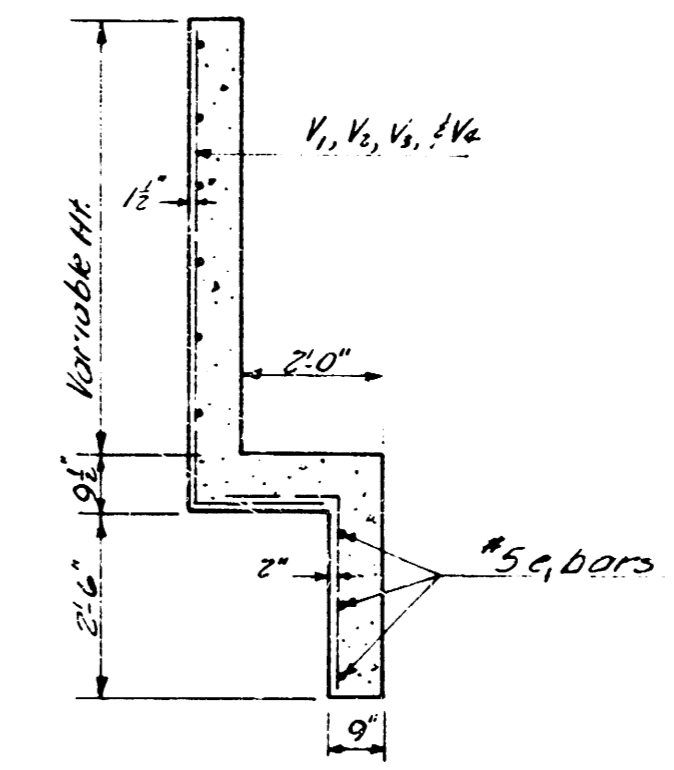
HALF ELEV. SO. END

SCALE: 3/8"=1'-0"



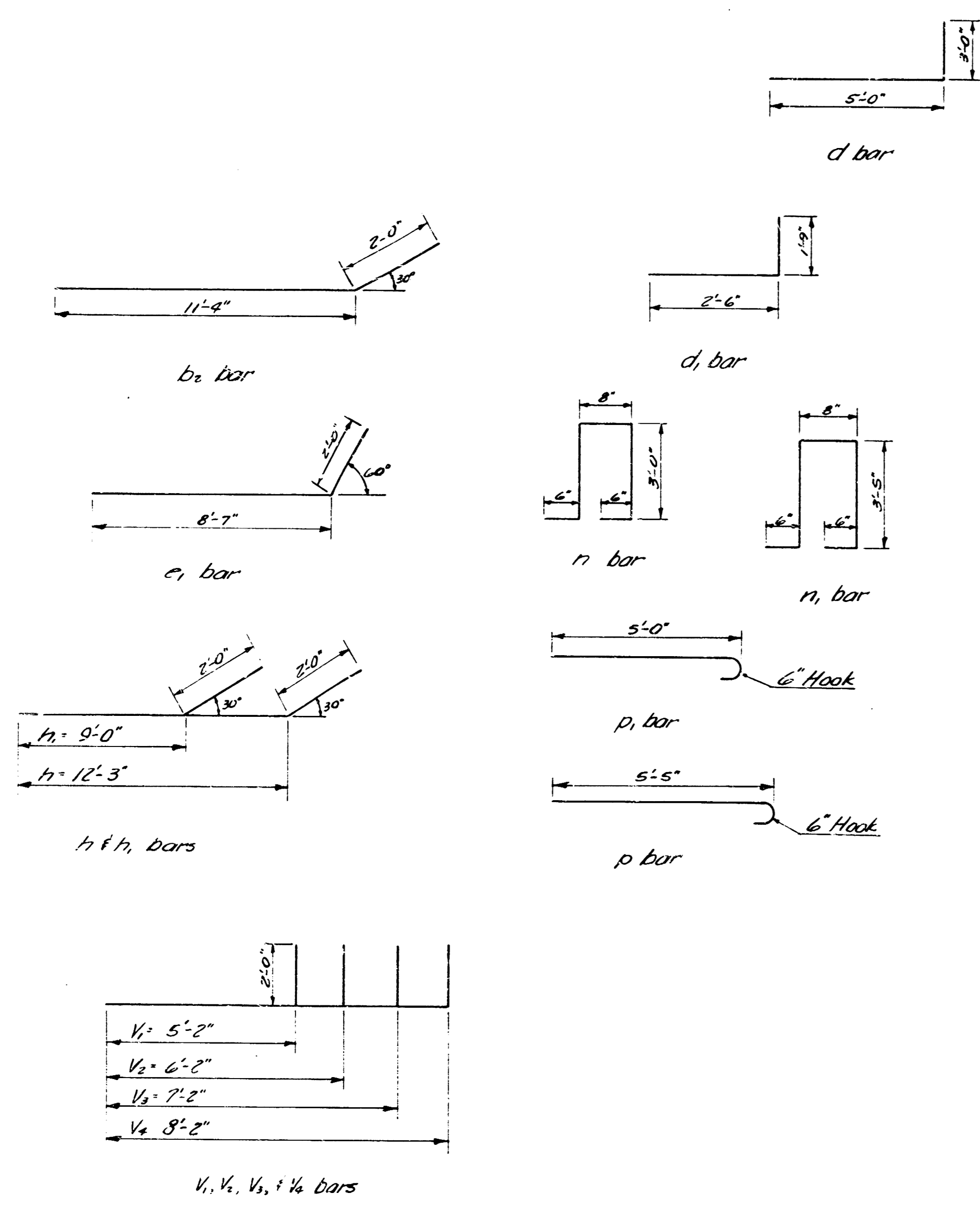
HALF ELEV. NO. END

SCALE: 3/8"=1'-0"

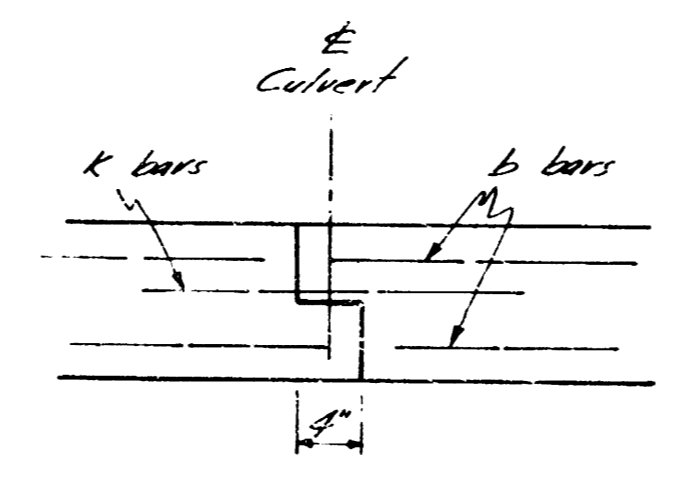
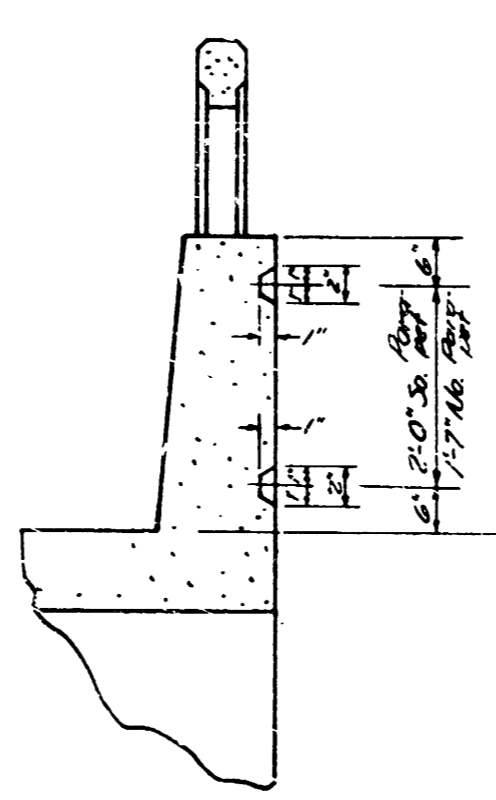
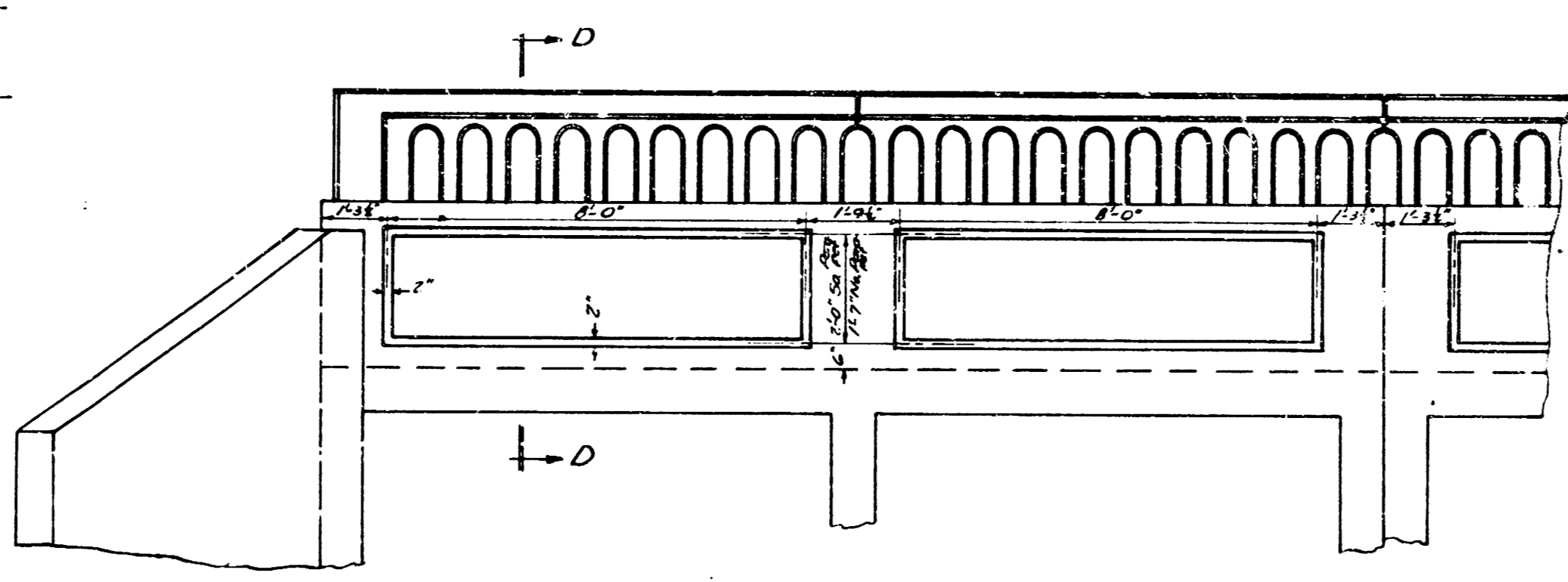


SECTION A-A

No Scale



**BAR BENDING DIAGRAMS**  
No SCALE



STEEL SCHEDULE									
BAR	SIZE	NO.	LENGTH	SHAPE	BAR	SIZE	NO.	LENGTH	SHAPE
a	#5	900	20'-0"	—	h <sub>1</sub>	#5	4	1'-0"	—
					k		88	4'-0"	—
a <sub>1</sub>		960	6'-0"	—	m	#5	18	20'-0"	—
b	#5	220	40'-0"	—	n	#4	40	8'-6"	┌
b <sub>1</sub>	#5	200	11'-2"	—	o	#5	40	9'-8"	┌
b <sub>2</sub>	#5	20	18'-4"	—	p	#5	46	6'-11"	—
c	#5	12	18'-9"	—	q	#5	46	5'-6"	—
d	#5	72	8'-0"	—	r	#5	18	9'-9"	—
d <sub>1</sub>	#5	32	4'-3"	—	v	#5	600	6'-3"	—
e	#5	12	18'-4"	—	w	#5	12	7'-2"	—
e <sub>1</sub>	#5	12	10'-9"	—	x	#5	12	8'-2"	—
h	#5	20	14'-3"	—	y	#5	12	9'-2"	—
h <sub>1</sub>	#5	4	11'-0"	—	z	#5	8	10'-2"	—
h <sub>2</sub>	#5	4	8'-9"	—	aa	#5	4	11'-5"	—

BILL OF MATERIALS		
ITEM	QUANTITY	UNITS
Class AAC Concrete	365.3	Cu Yds
Reinf. Steel	48,995	Lbs
Gen. Excavation	777.9	Cu Yds
Hand Excavation	10.5	Cu Yds
Hand-dred	80.5	Cu Ft
Compacted Fill (Sand Stabilized)	126.9	Cu Yds
Removal exist. E.C.B.	1	

NOTE: Fill is to be compacted to top of culvert. Paving contractor will compact fill over top of culvert. Removal of 24" R.C.P. under existing culvert is to be included in bid of culvert removal. Asphalt mat removal to be included in general excavation.