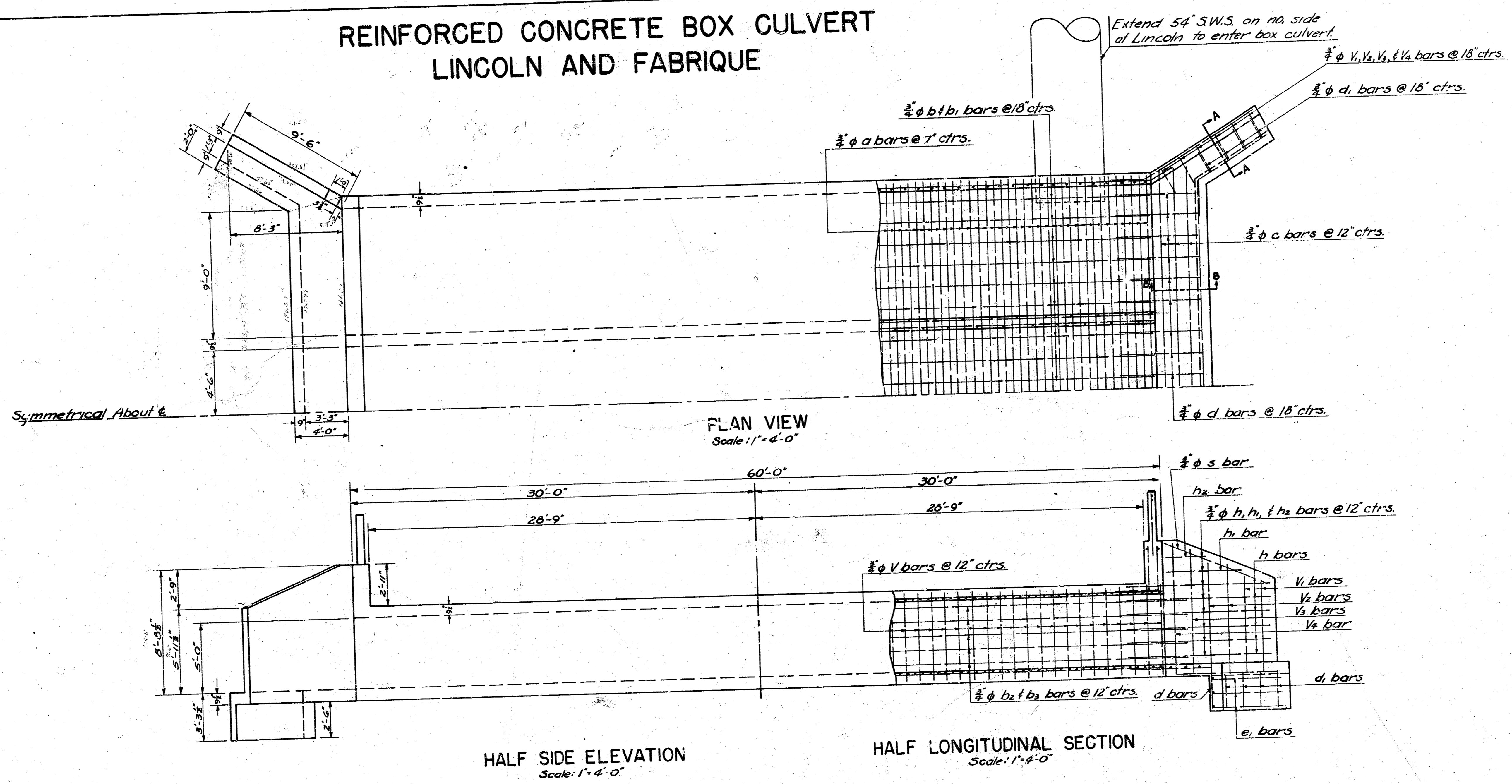
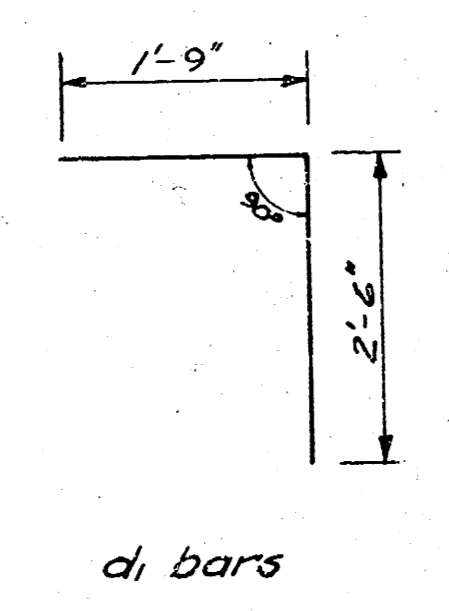
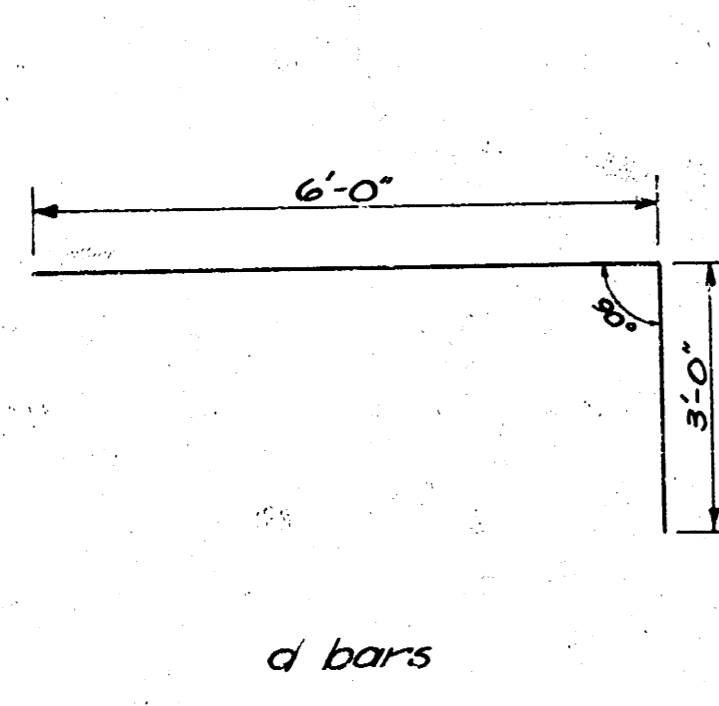
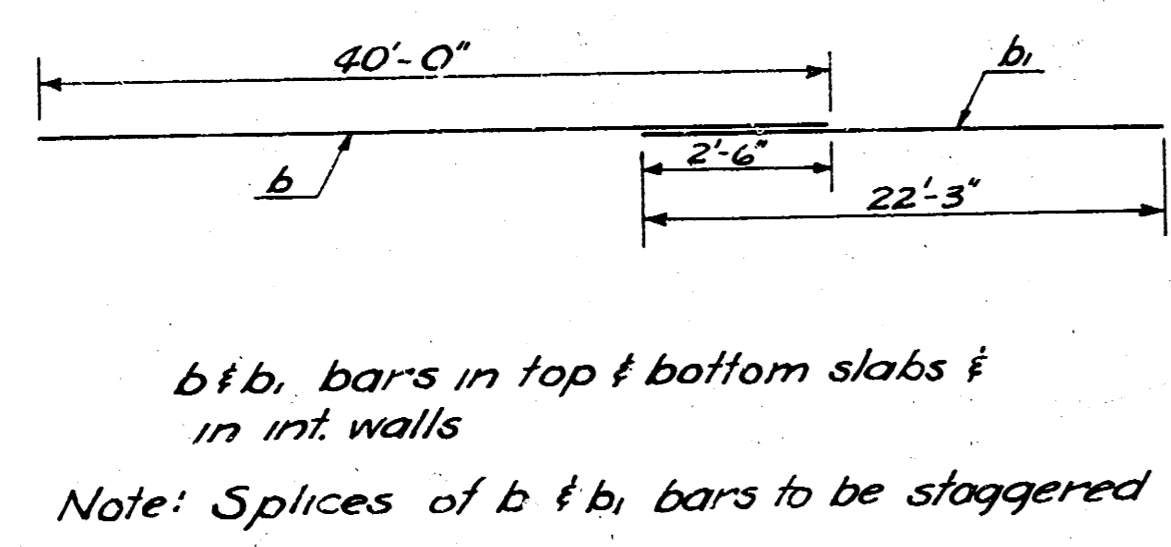
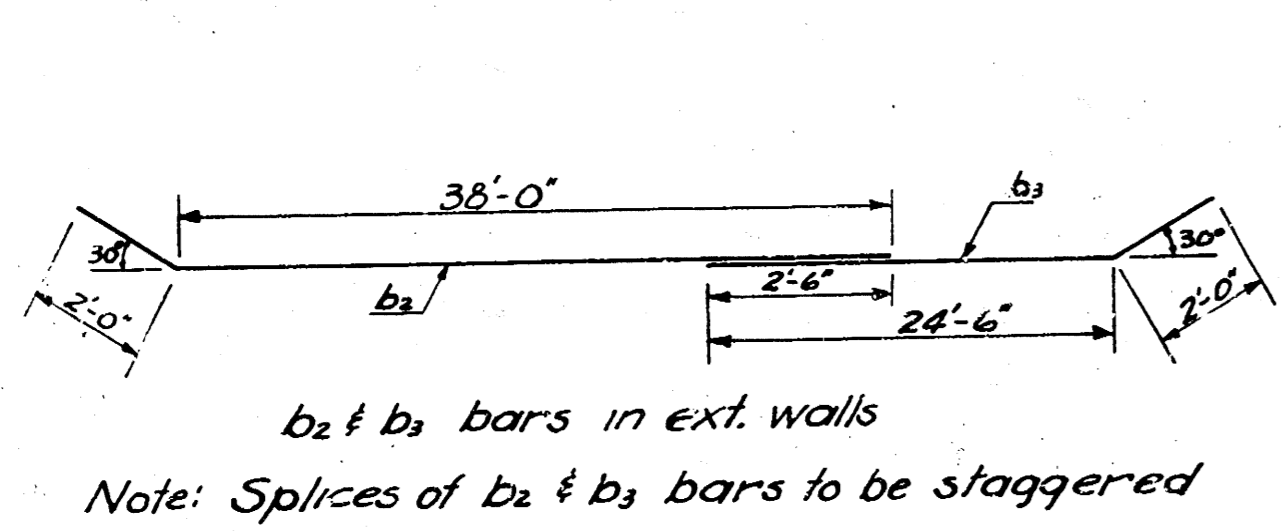
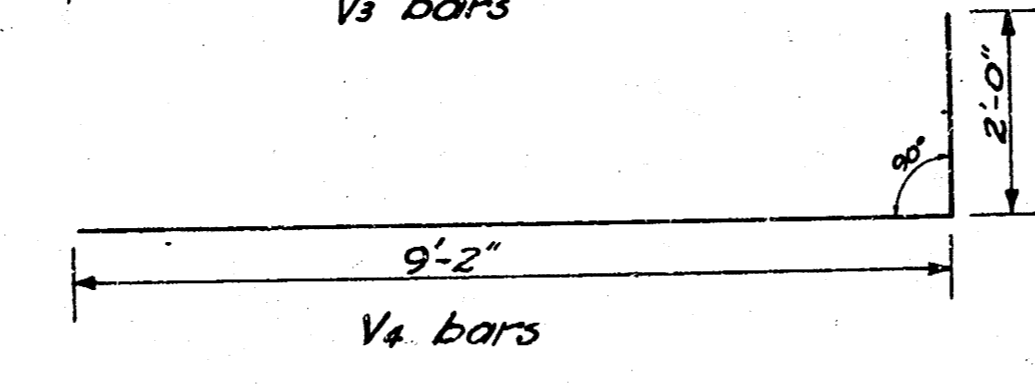
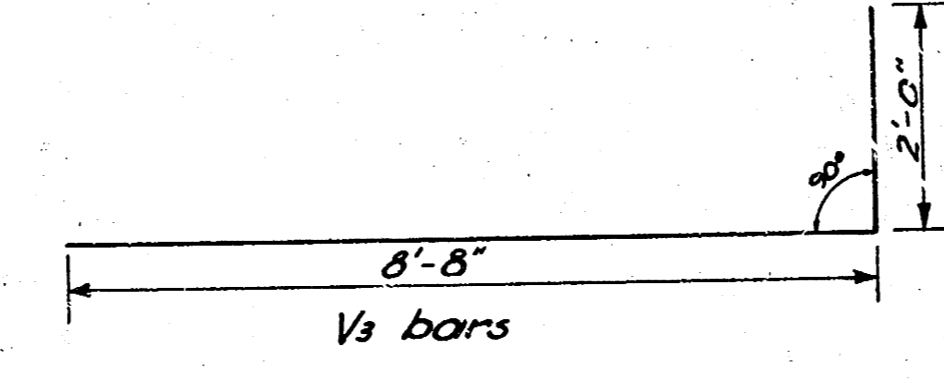
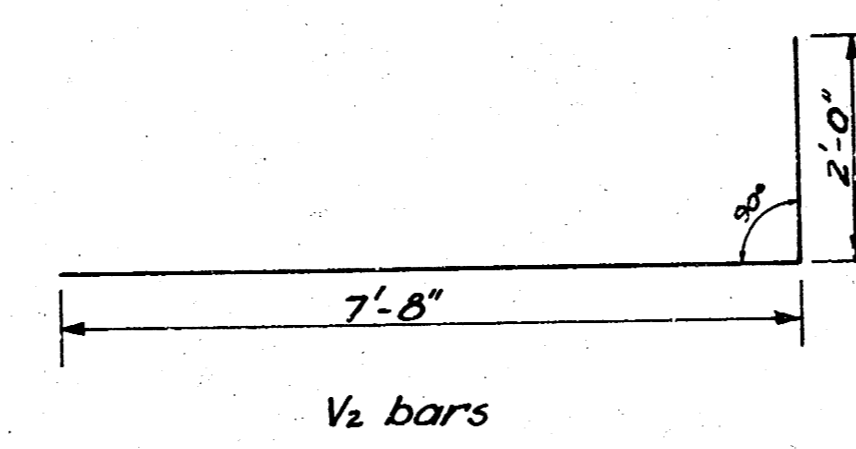
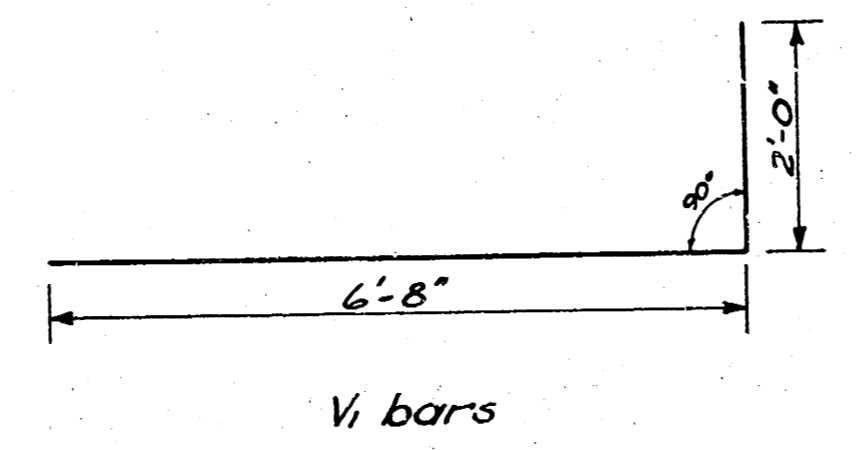
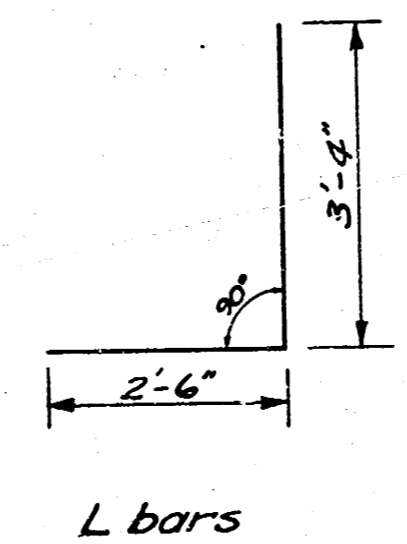
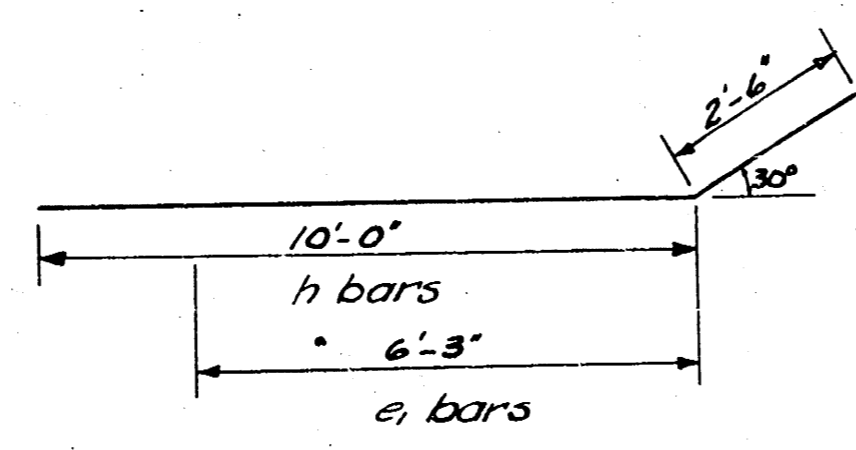


REINFORCED CONCRETE BOX CULVERT LINCOLN AND FABRIQUE



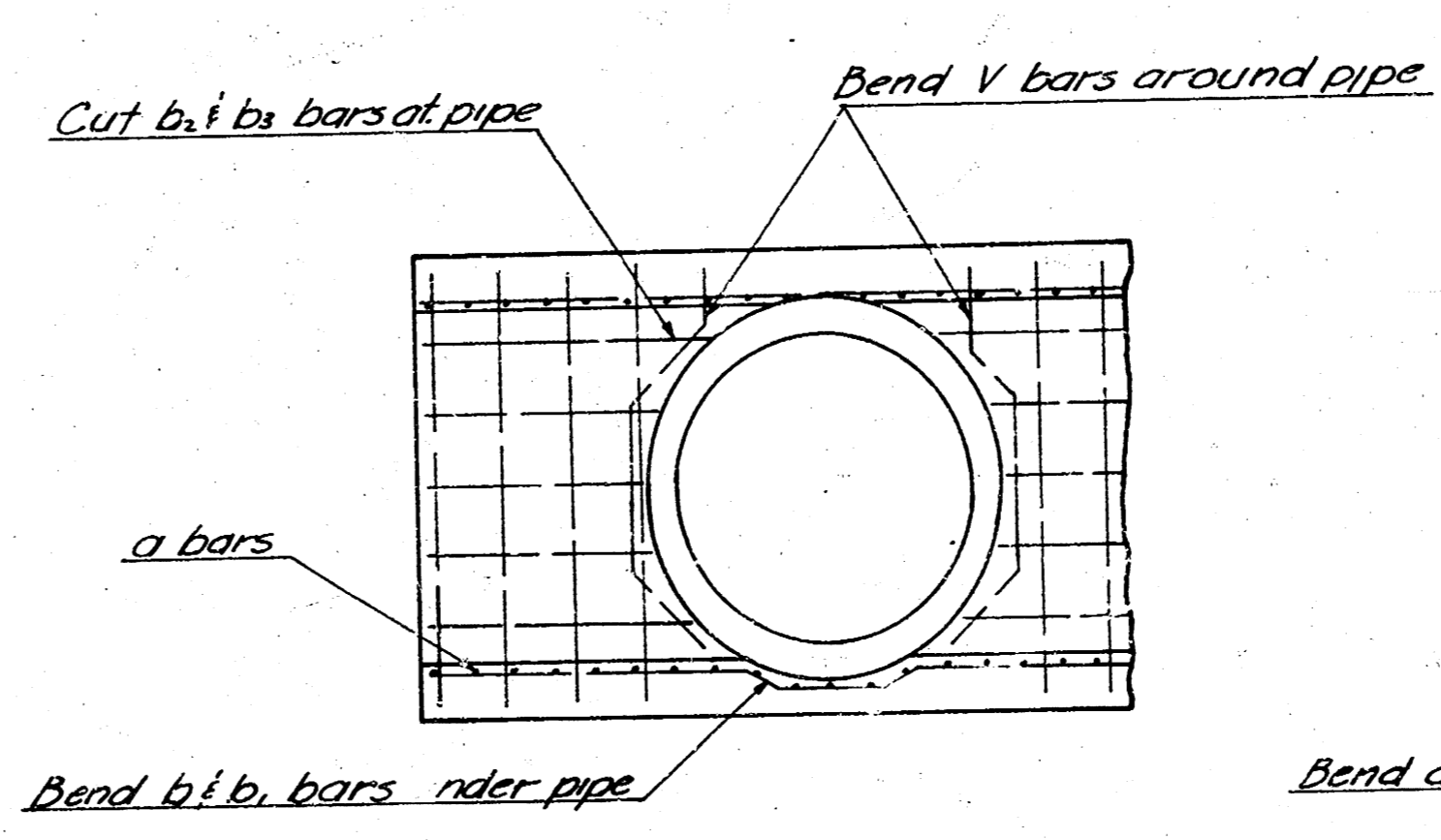


NOTE: Min length of bar splices to be 2'-6"
BAR BENDING DIAGRAMS
 No Scale

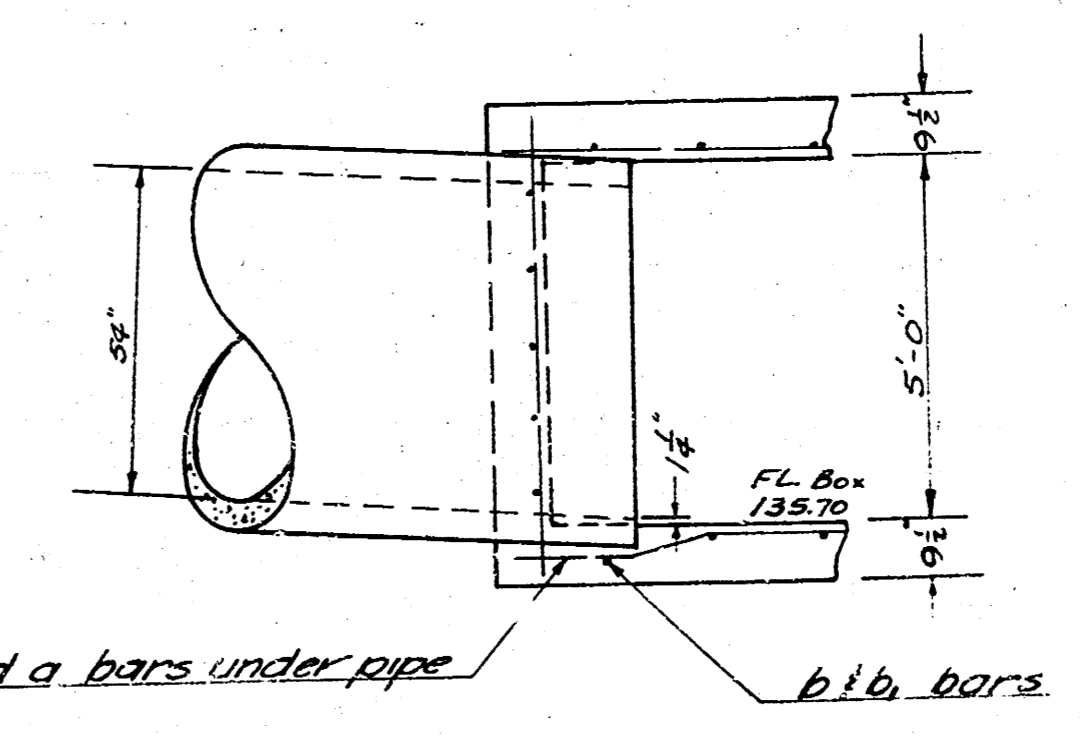


STEEL SCHEDULE				
BAR	SIZE	NO.	LENGTH	SHAPE
a	3/4"	206	30'-0"	—
a ₁		412	6'-0"	—
b		54	40'-0"	—
b ₁		54	22'-3"	—
b ₂		10	40'-0"	—
b ₃		10	26'-6"	—
c		6	30'-6"	—
d		36	9'-0"	L
d ₁		16	4'-3"	L
e		6	29'-3"	—
e ₁		12	8'-9"	—
h		24	12'-6"	—
h ₁		4	6'-6"	—
h ₂		4	3'-6"	—
L		36	5'-10"	L
P		68	4'-6"	—
r		4	29'-9"	—
s		4	9'-0"	—
t		4	29'-0"	—
V		244	6'-4"	—
V ₁		8	8'-8"	—
V ₂		8	9'-8"	—
V ₃		4	10'-8"	—
V ₄	3/4"	4	11'-2"	—

BILL OF MATERIALS		
ITEM	QUANTIT.	UNITS
Class A Concrete	172	cu yds.
General Excavation	642	cu yds.
Hand Excavation	21	cu yds.
Reinf. Steel	24,692	Lbs.
Handrail	60	Lin. Ft.
Compacted Backfill	136	cu yds.
54" R.C.P.	16	Lin. Ft.



LONGITUDINAL SECTION OF BOX AT ENTRANCE OF 54" S.W.S.
 Scale: 1" = 2'-8"



CROSS SECTION OF BOX AT ENTRANCE OF 54" S.W.S.
 Scale: 1" = 2'-8"