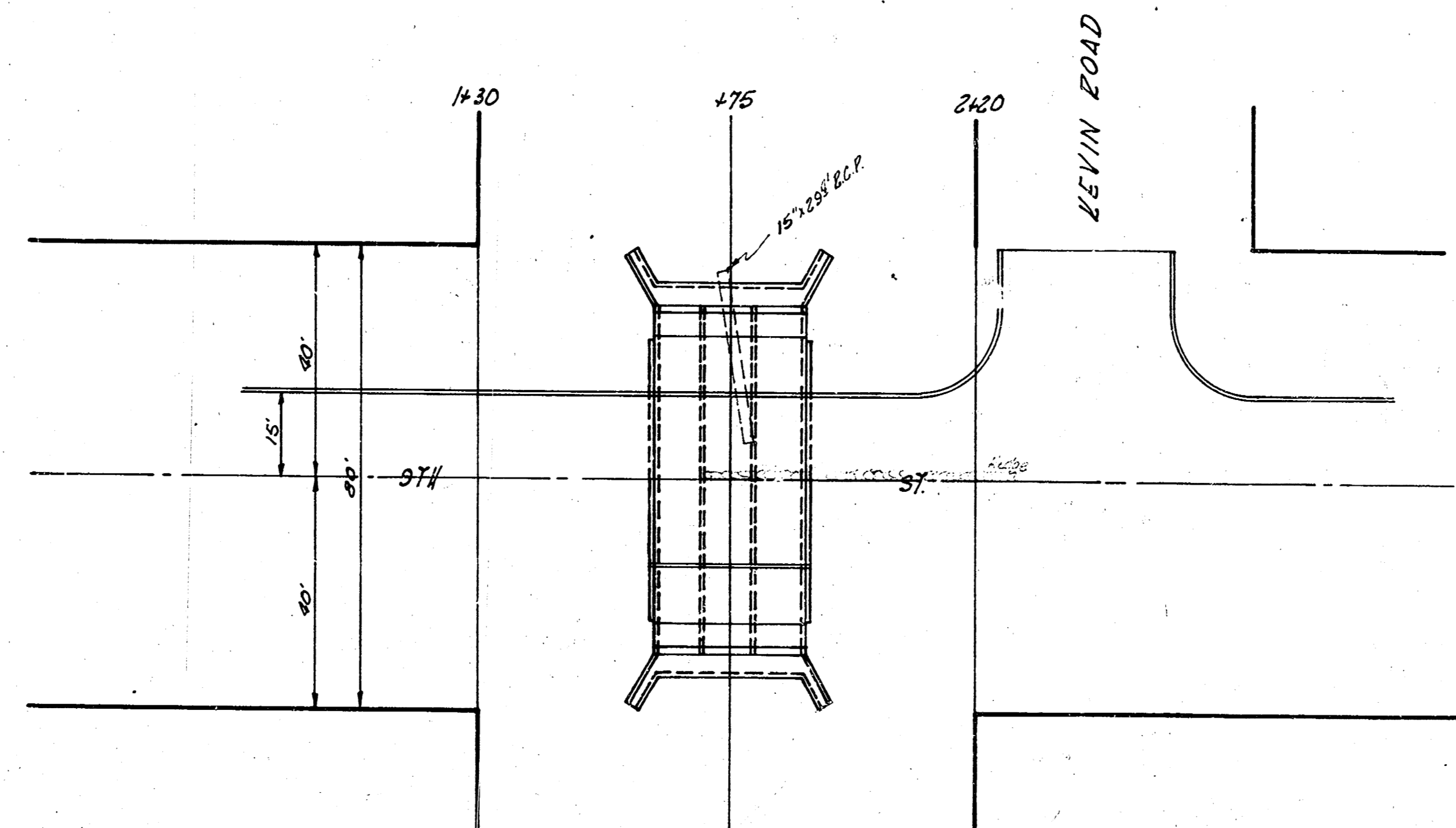


B.M. 190.85 South "G" in Globe W. of Lightner N.L. 9th  
B.M. 199.19 Spike E. of P. Pole N.S. 9th W.S. Woodlawn  
B.M. 199.90 "G" in Globe E. of Grace Lane S.L. 9th

NOTE: USE THESE B.M. ELEVATIONS ONLY

# 3-8' X 4' R.C.B. 9TH ST. & DRYCREEK

PROJ. NO. CI4-324



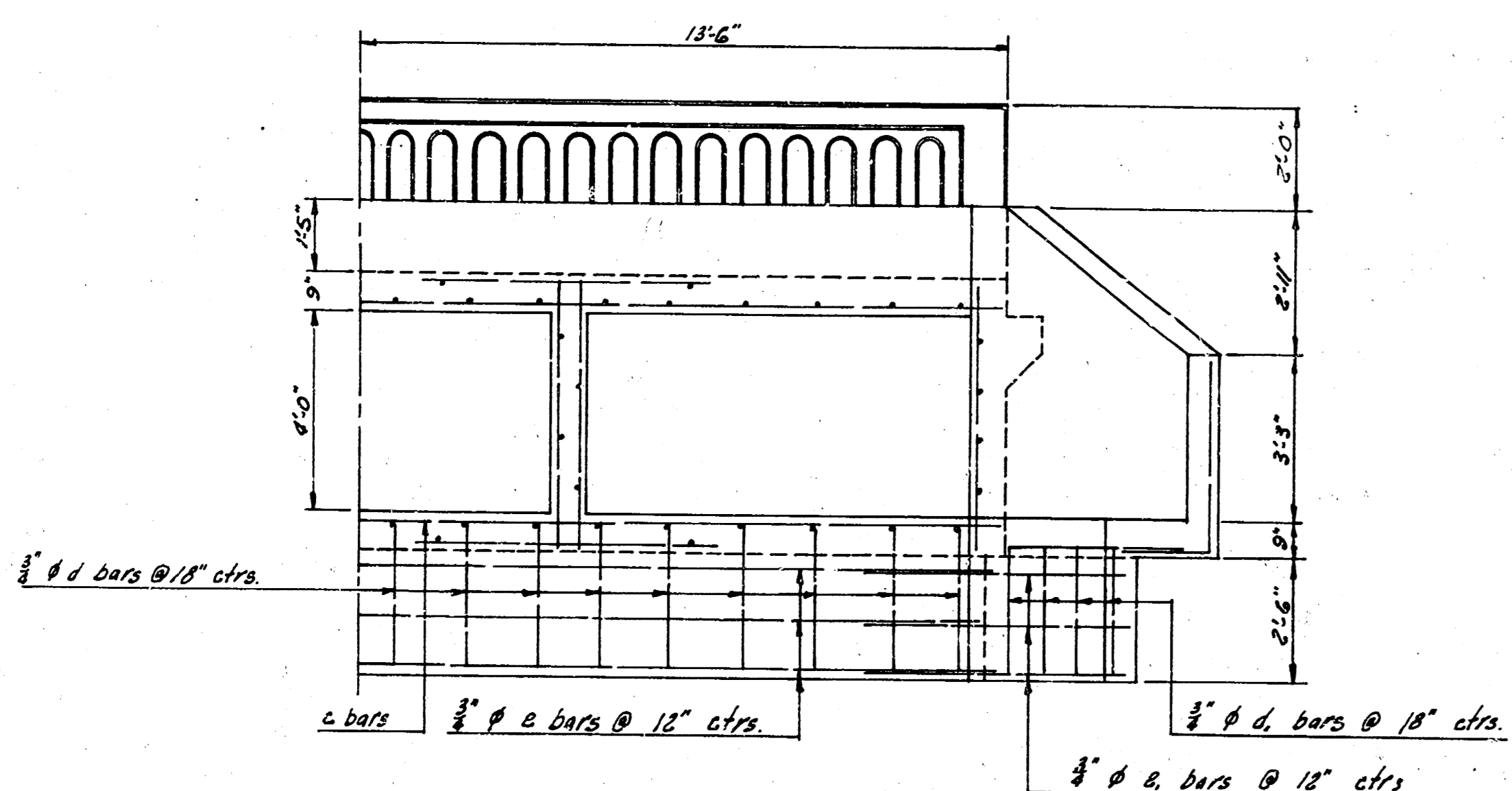
PLAN LAYOUT  
Scale: 1"=20'

1/6



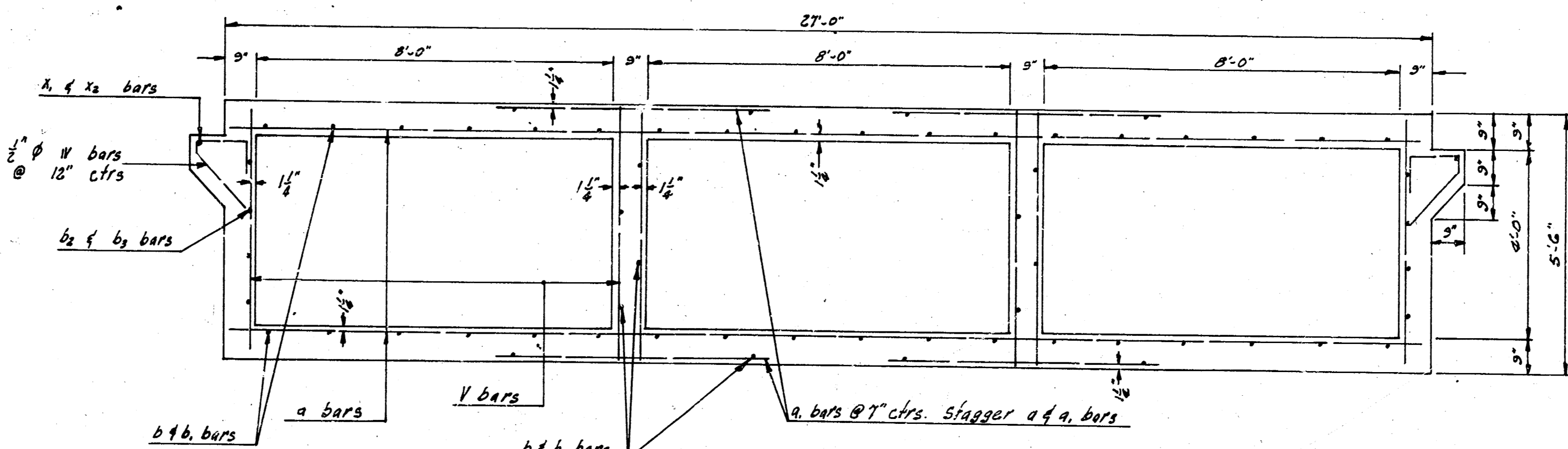
REINF. CONC. BOX CULVERT  
& BOX STA 1475  
9TH ST & DRYCREEK  
CITY OF WICHITA, KANS.  
D.E. SMITH CITY ENGINEER  
MAY, 1955 PROJ. NO. CI4-324





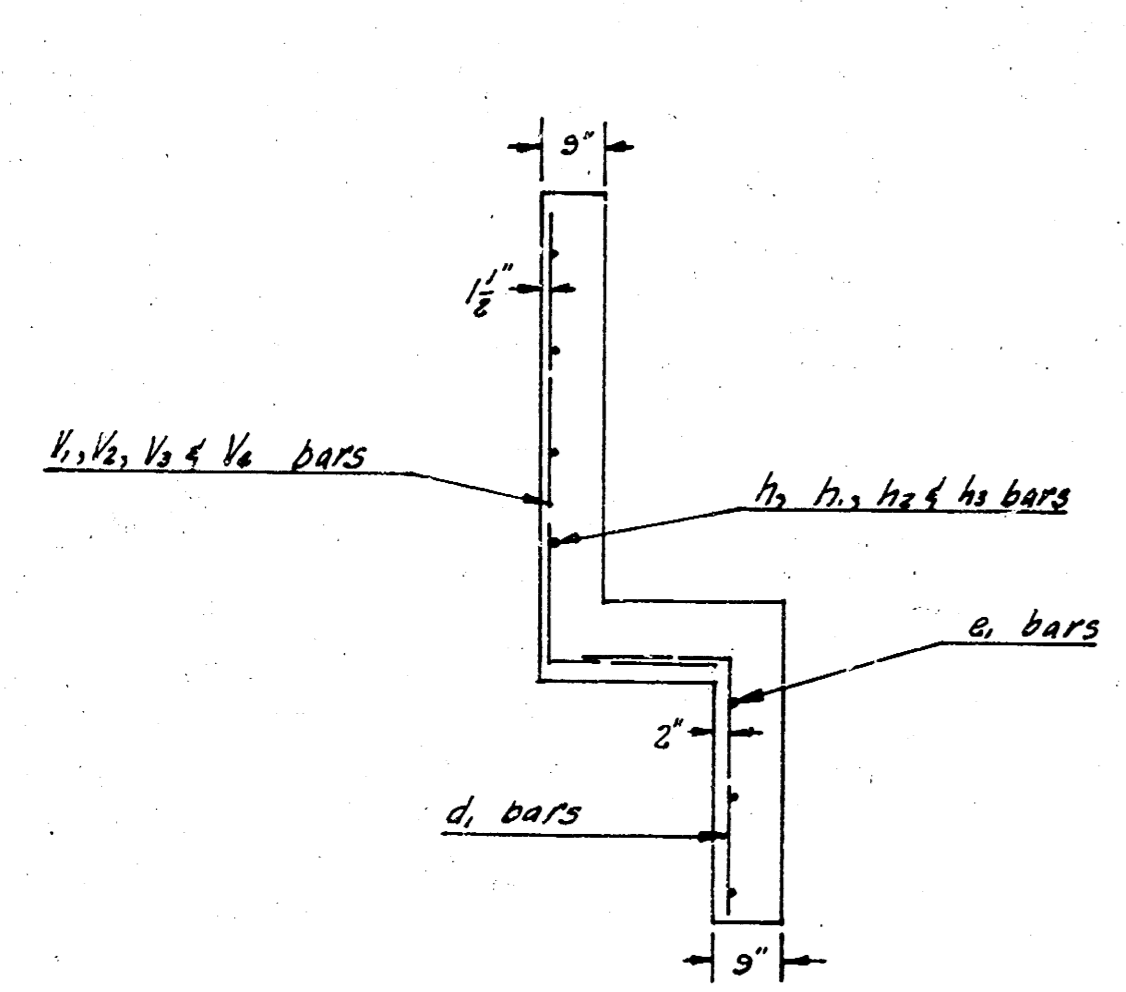
**HALF END ELEVATION**  
Scale: 1"=2'-0"

NOTE: Backfill is to be carried to original ground elevation. Backfill is to be sand stabilized and mechanically tamped.

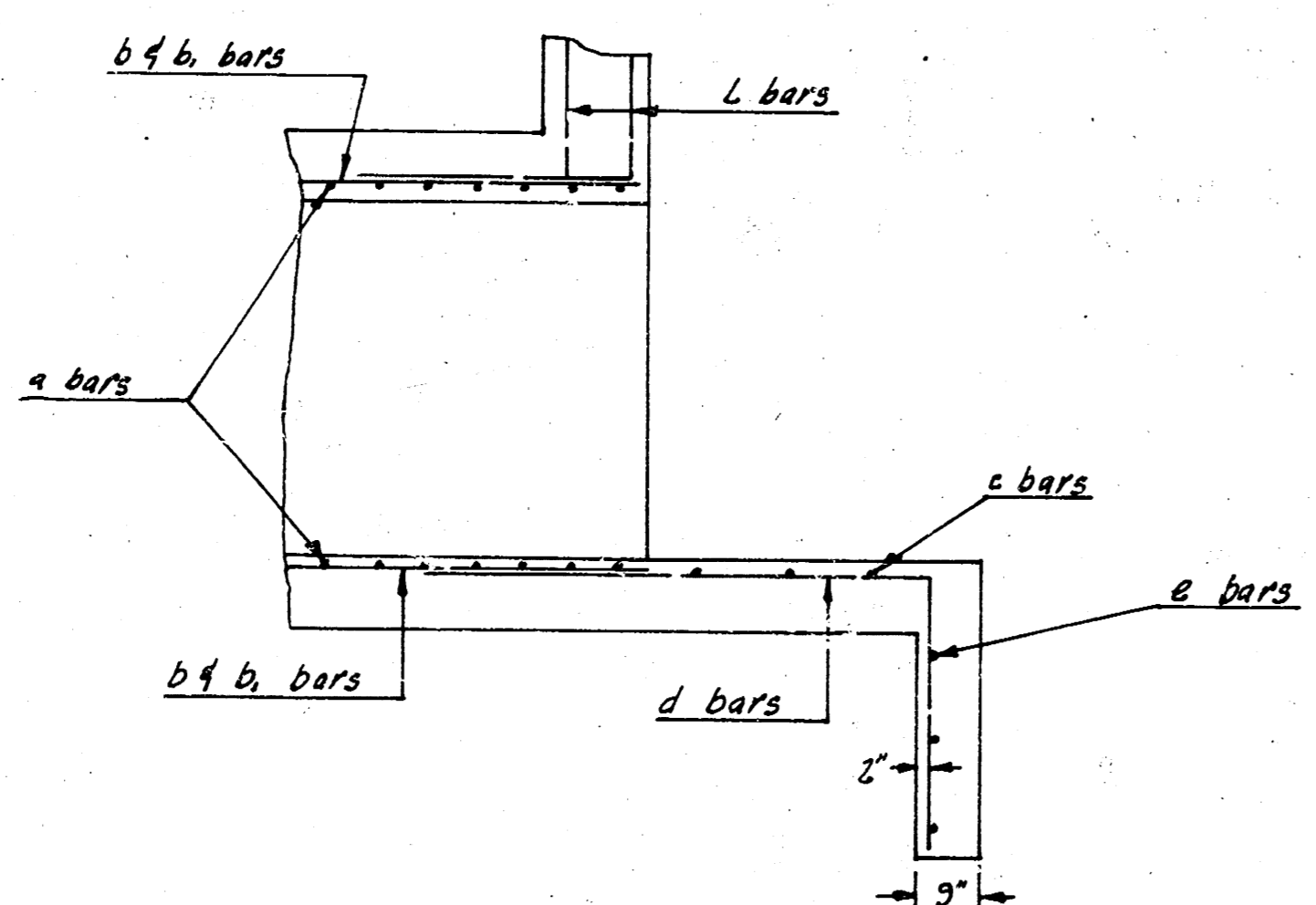


**CROSS SECTION OF BOX**  
Scale: 1"=2'-0"

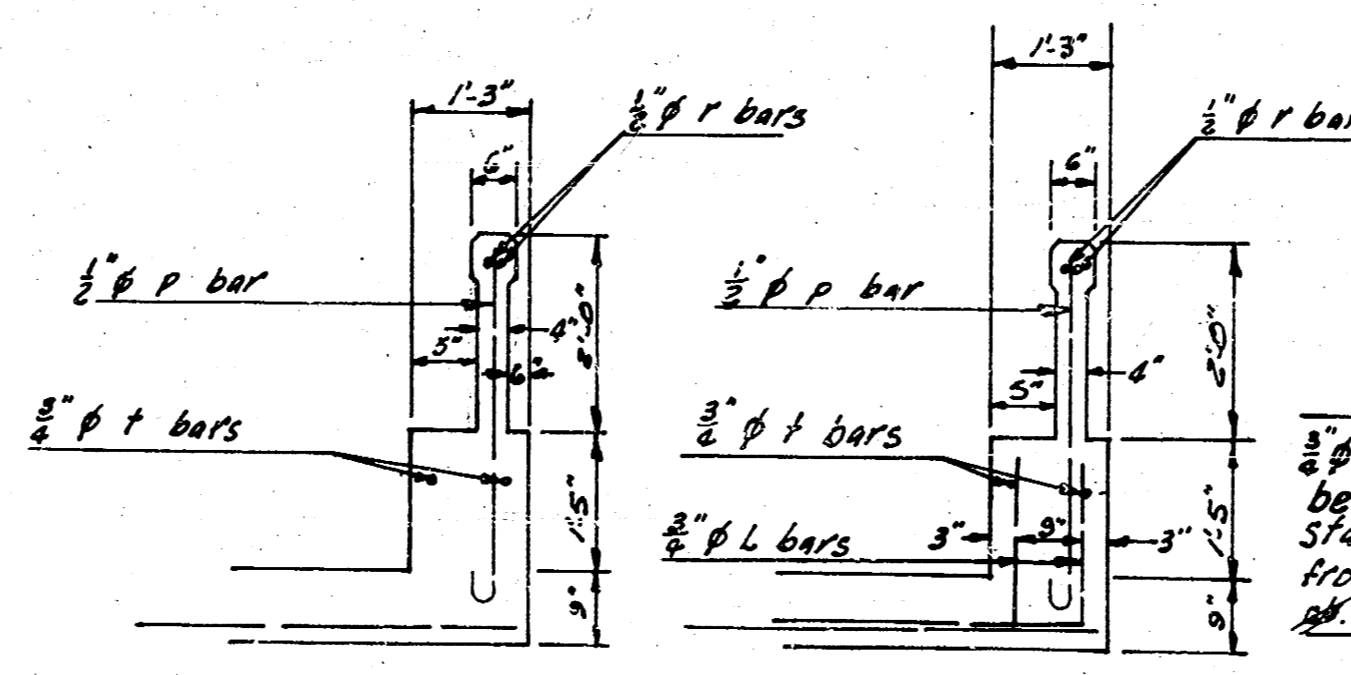
NOTE: Excavation is to be extended 2' beyond sides of the box & back of wingwalls. NOTE: Cross sections of the channel are to be taken before construction. After culvert is constructed re-cross-sections are to be made.



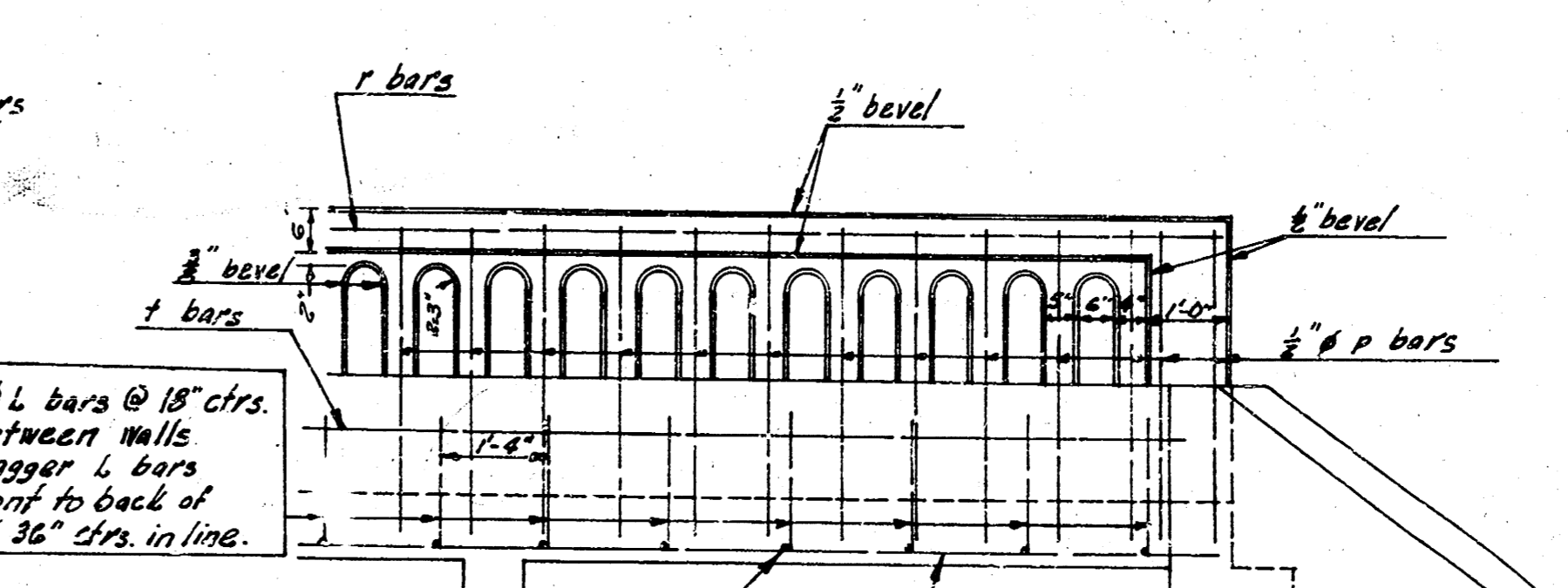
**SECTION A-A**  
Scale: 1"=2'-0"



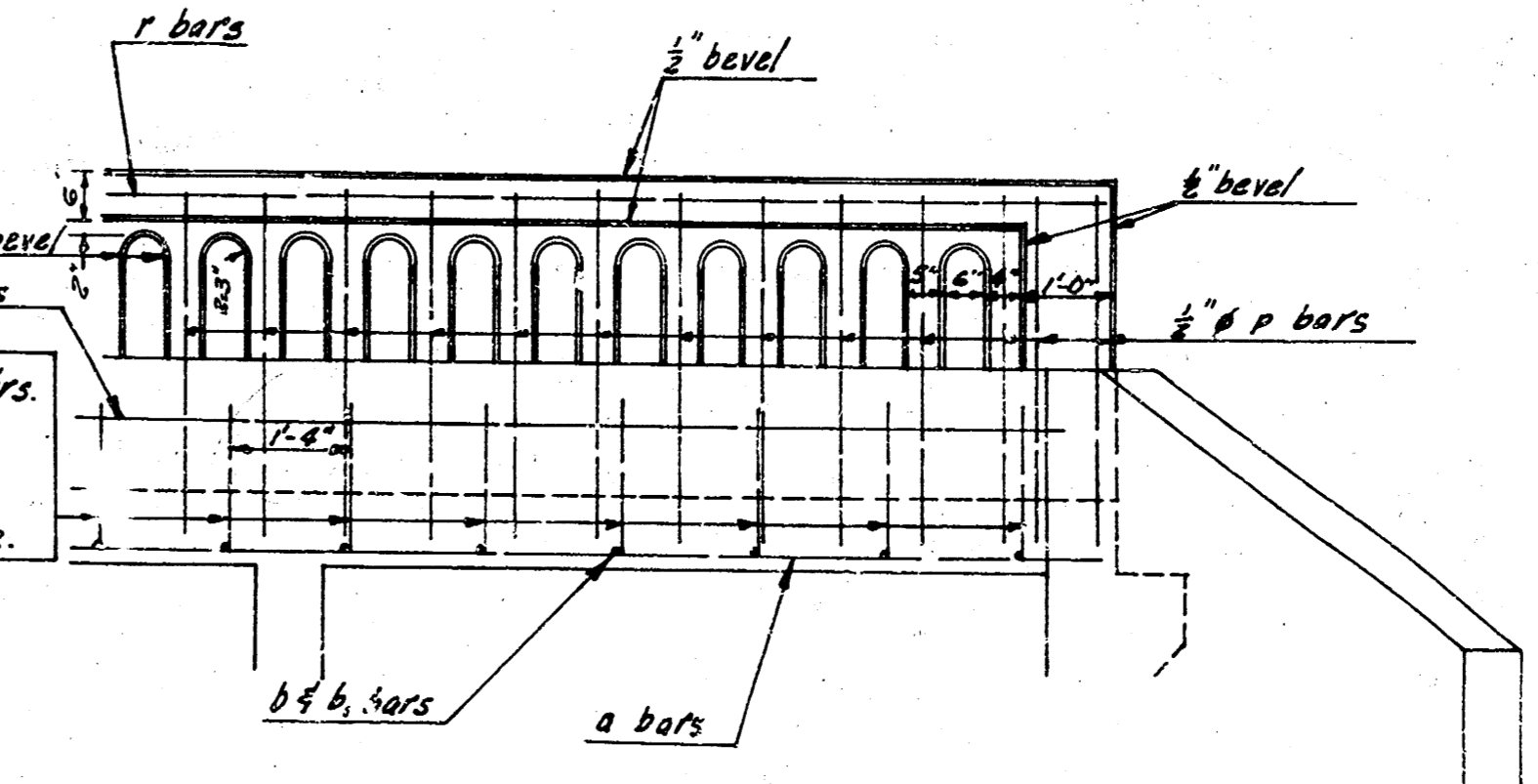
**SECTION B-B**  
Scale: 1"=2'-0"



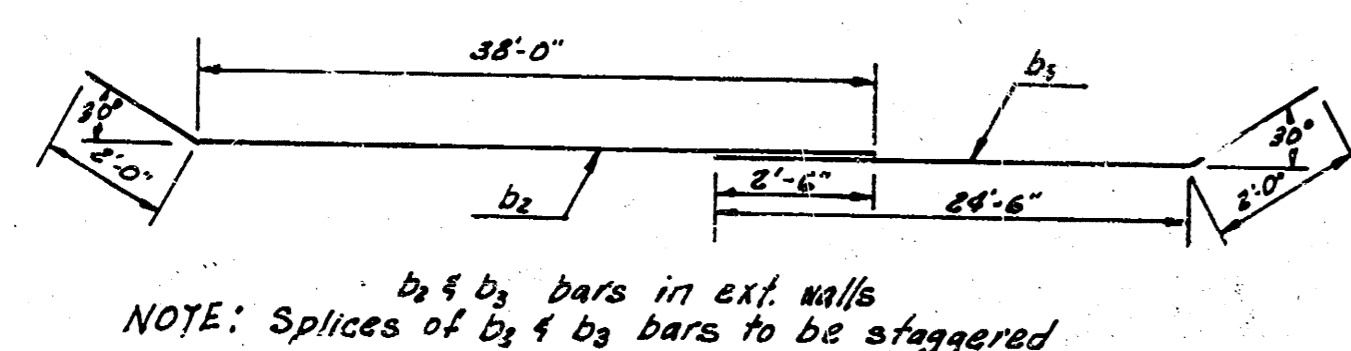
**POST & HUBGUARD SECTION**  
Scale: 1"=2'-0"



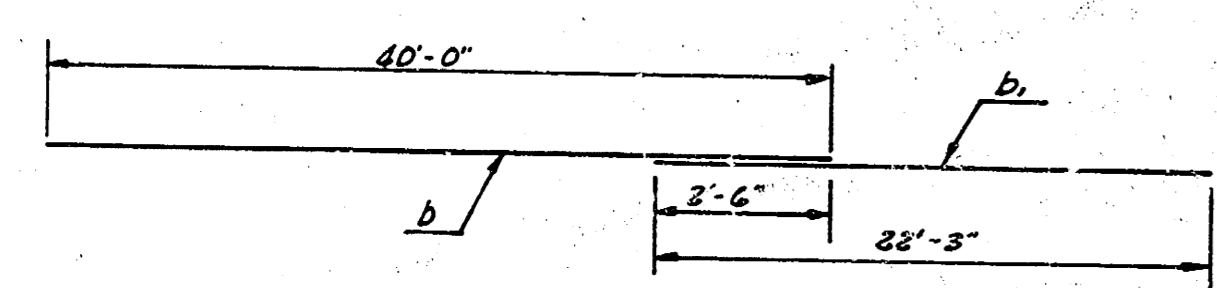
**RAIL & HUBGUARD SECTION**  
Scale: 1"=2'-0"



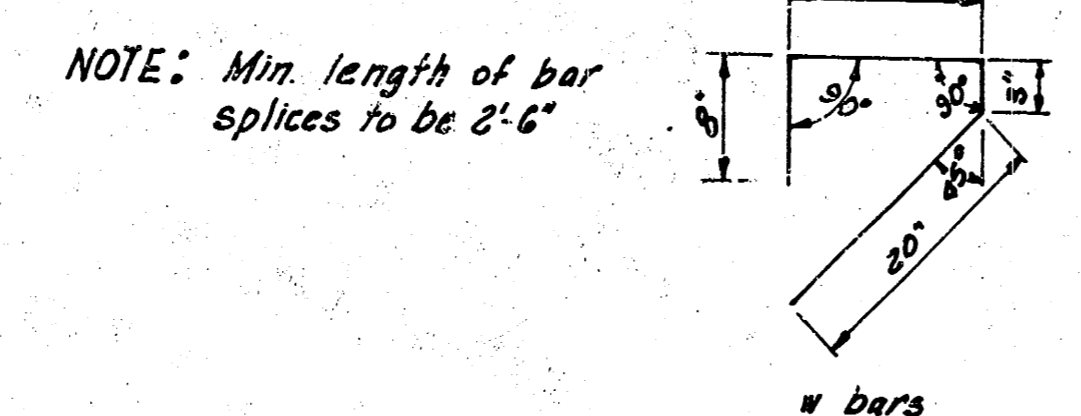
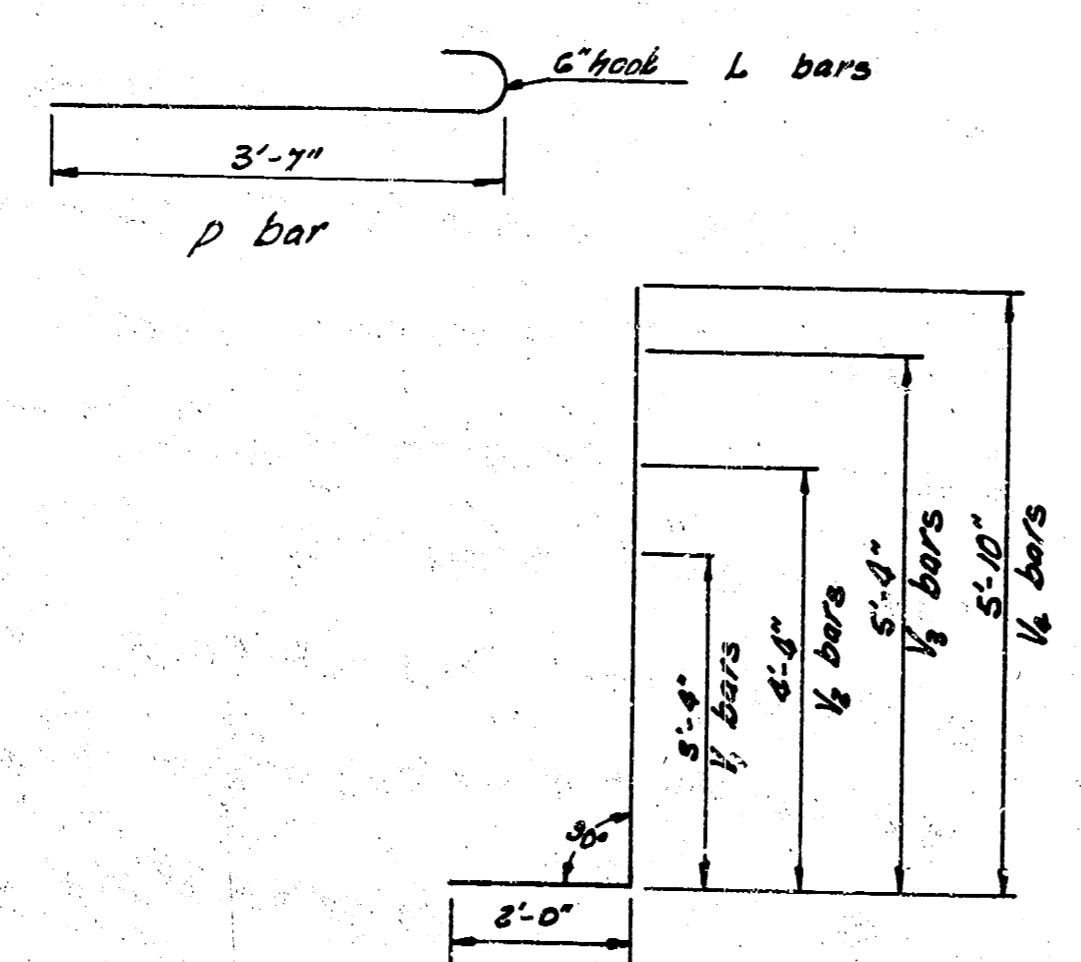
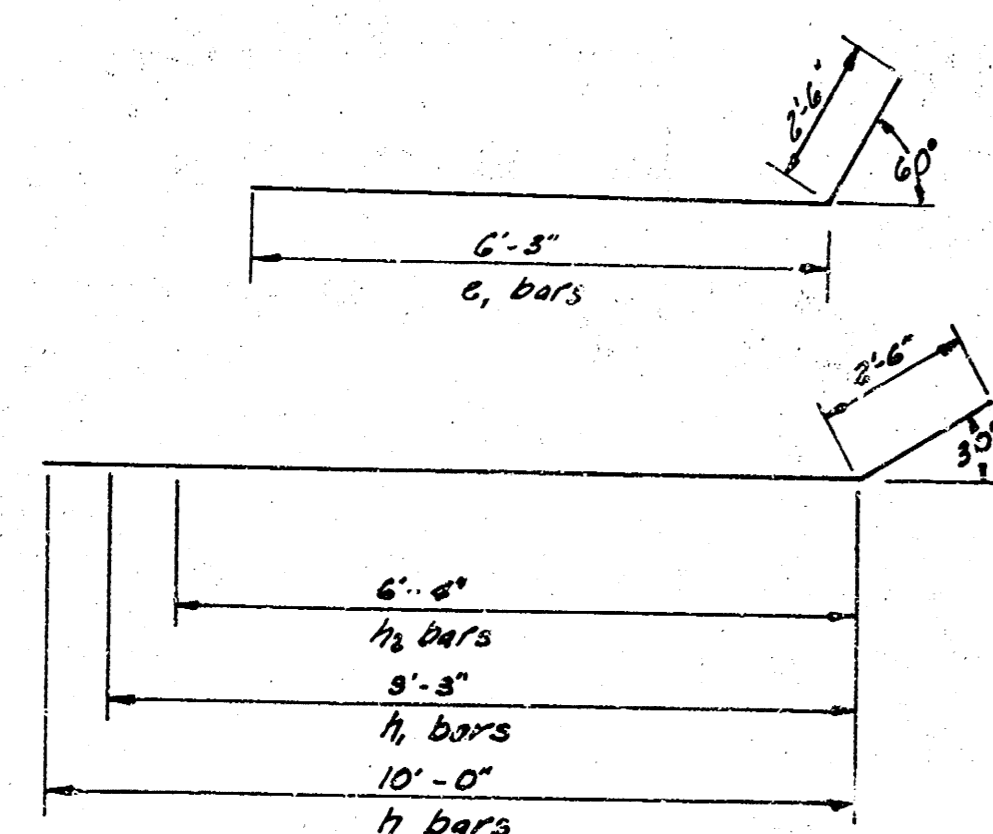
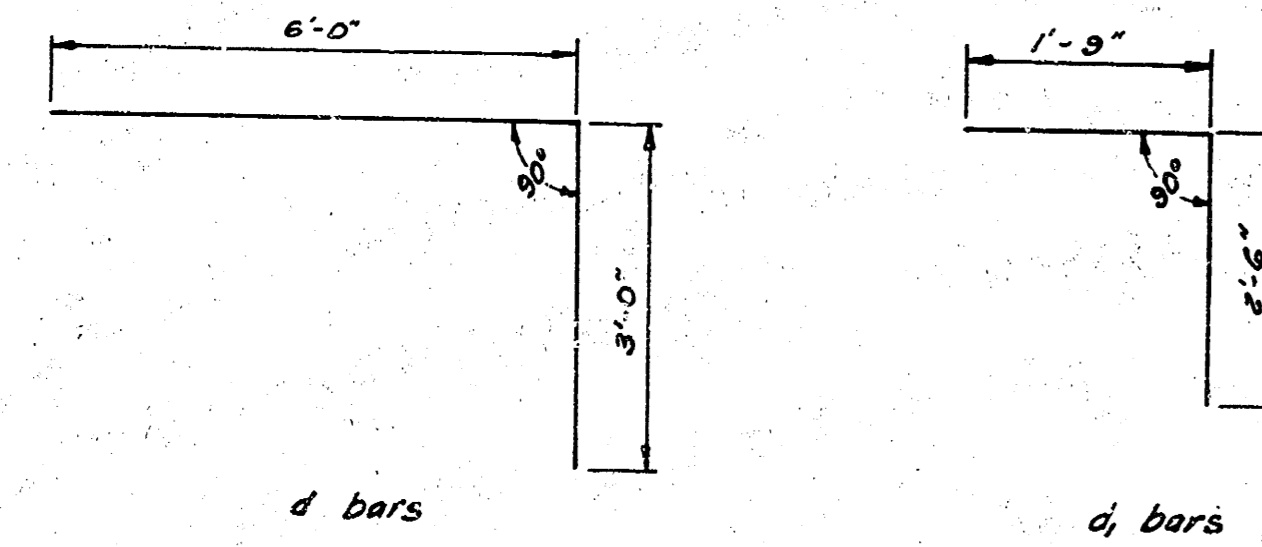
**PART ELEVATION OF HANDRAIL & HUBGUARD**  
Scale: 1"=2'-0"



*b<sub>1</sub> & b<sub>2</sub> bars in ext. walls*  
 NOTE: Splices of b<sub>1</sub> & b<sub>2</sub> bars to be staggered



*b & b1 bars in top & bottom slabs of int. walls*  
 NOTE: Splices of b & b1 bars to be staggered

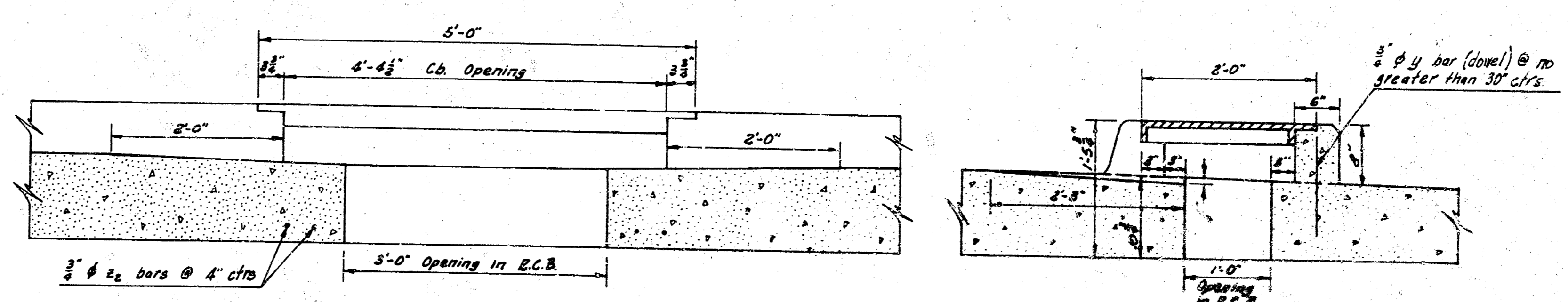


NOTE: Min length of bar splices to be 2'-6"

**BAR BENDING DIAGRAMS**  
 Not to Scale

STEEL SCHEDULE				
BAR	SIZE	NO.	LENGTH	SHAPE
a	3/8"	206	30'-0"	
a1	"	412	6'-0"	
b	"	52	40'-0"	
b1	"	52	25'-3"	
b2	"	8	40'-0"	
c	"	8	22'-3"	
d	"	36	9'-0"	
d1	"	16	4'-3"	
e	"	6	23'-3"	
e1	"	12	8'-8"	
f	"	12	12'-6"	
f1	"	4	11'-9"	
f2	"	4	8'-10"	
f3	"	4	3'-8"	
g	3/8"	36	4'-3"	
h	3/8"	64	4'-1"	
i	3/8"	4	26'-9"	
j	3/8"	4	9'-0"	
k	"	4	26'-6"	
l	"	244	5'-5"	
m	"	8	5'-5"	
n	"	8	5'-5"	
o	"	4	7'-8"	
p	3/8"	4	7'-10"	
q	3/8"	36	3'-9"	
r	3/8"	2	32'-0"	
s	"	2	17'-10"	
t	"	38	1'-0"	
u	"	12	5'-8"	
v	"	12	3'-0"	
va	3/8"	24	5'-0"	

BILL OF MATERIALS		
ITEM	QUANTITY	UNITS
Class "A" Concrete	152.6	Cu. Yds.
Reinforcing Steel	23,885	Lbs.
Handrail	54	Lin. Ft.
General Excavation	345	Cu. Yds.
Hand Excavation	13	Cu. Yds.
Compacted Backfill	57	Cu. Yds.
Integral Curb	54	Lin. Ft.
5" Walk	54	Lin. Ft.
Standard Catch Basin Lid	6	Each



**SECTIONS THROUGH CATCH BASINS**  
 Scale: 1" = 1'-0"

