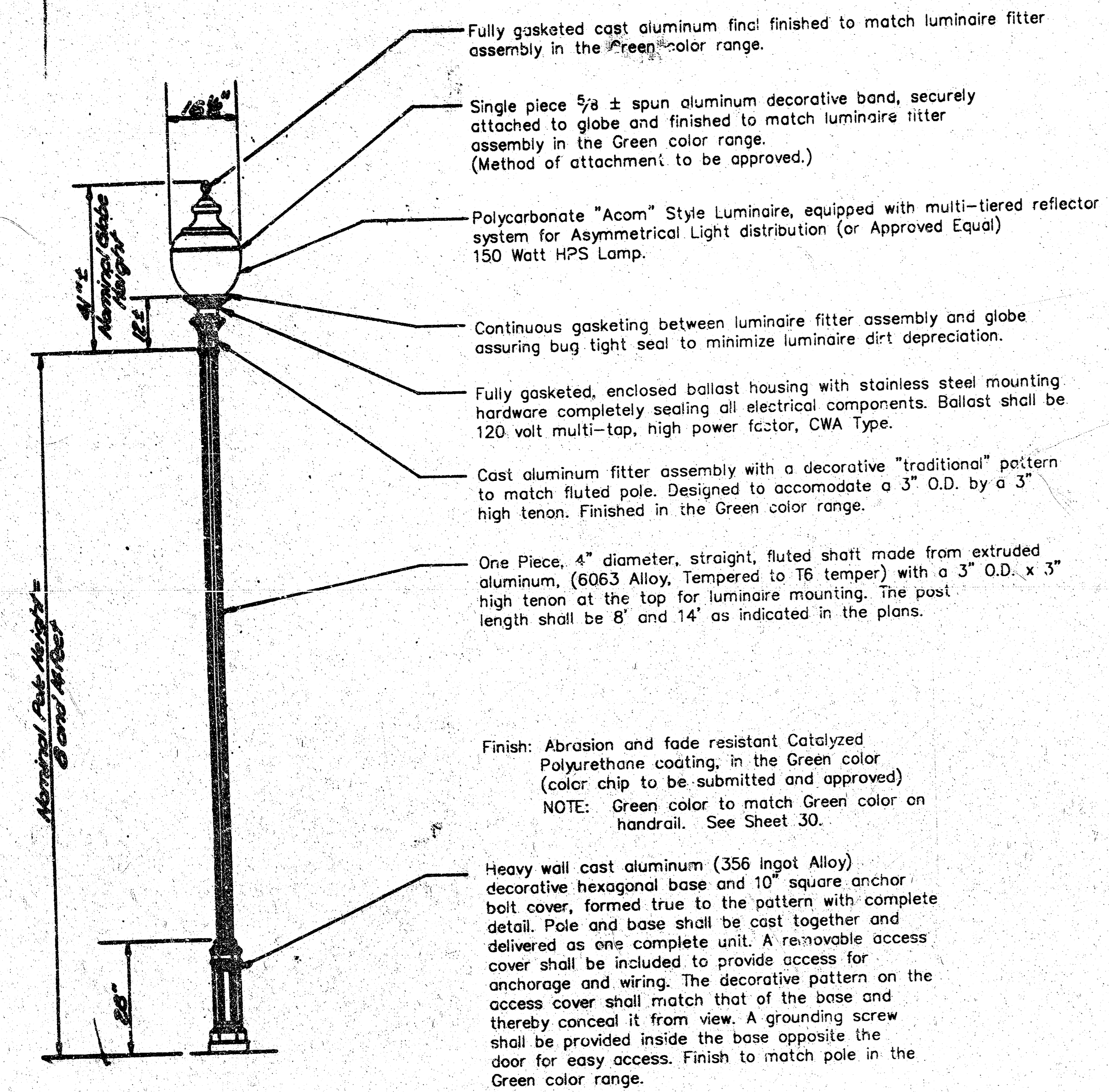
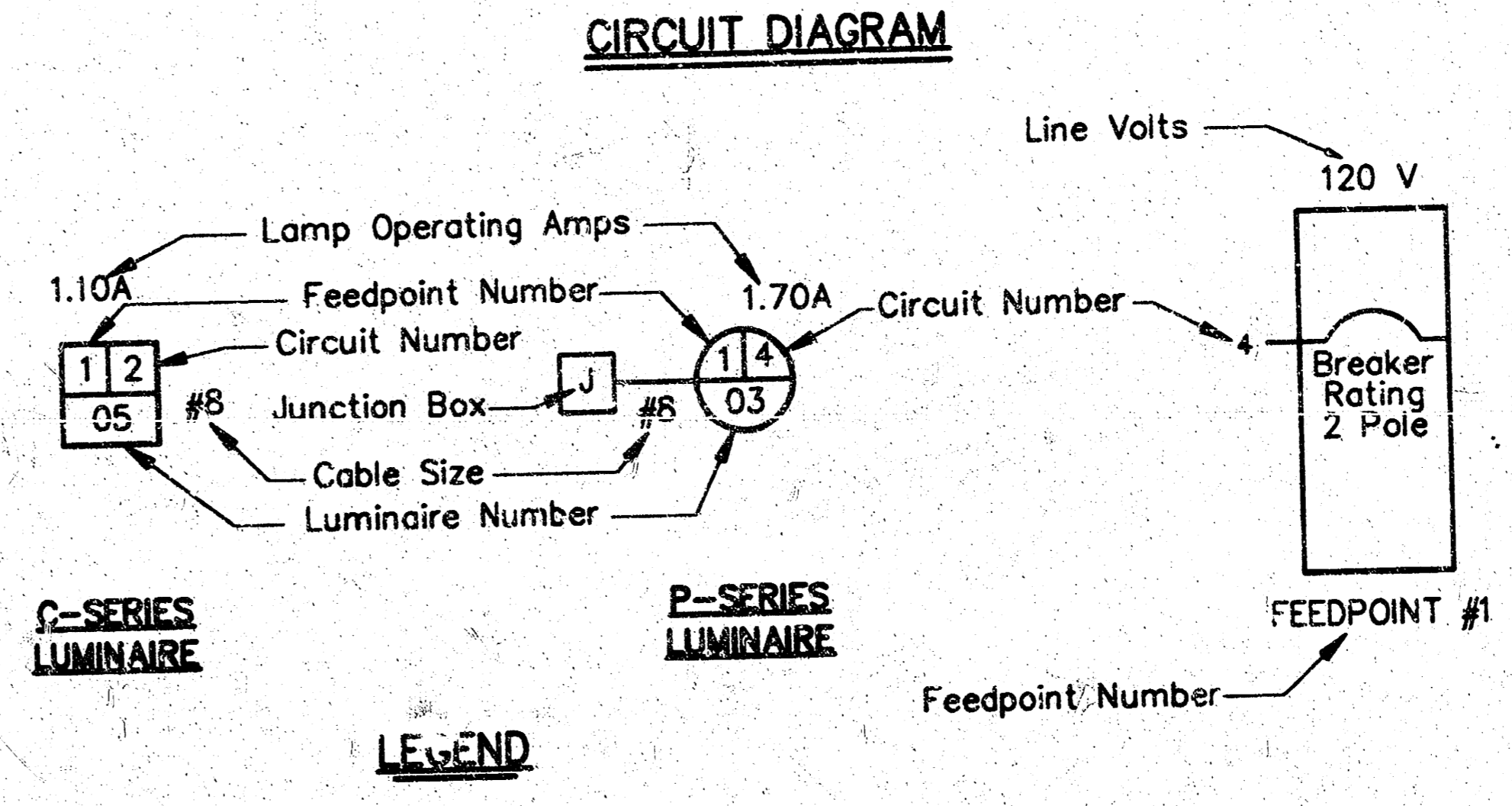
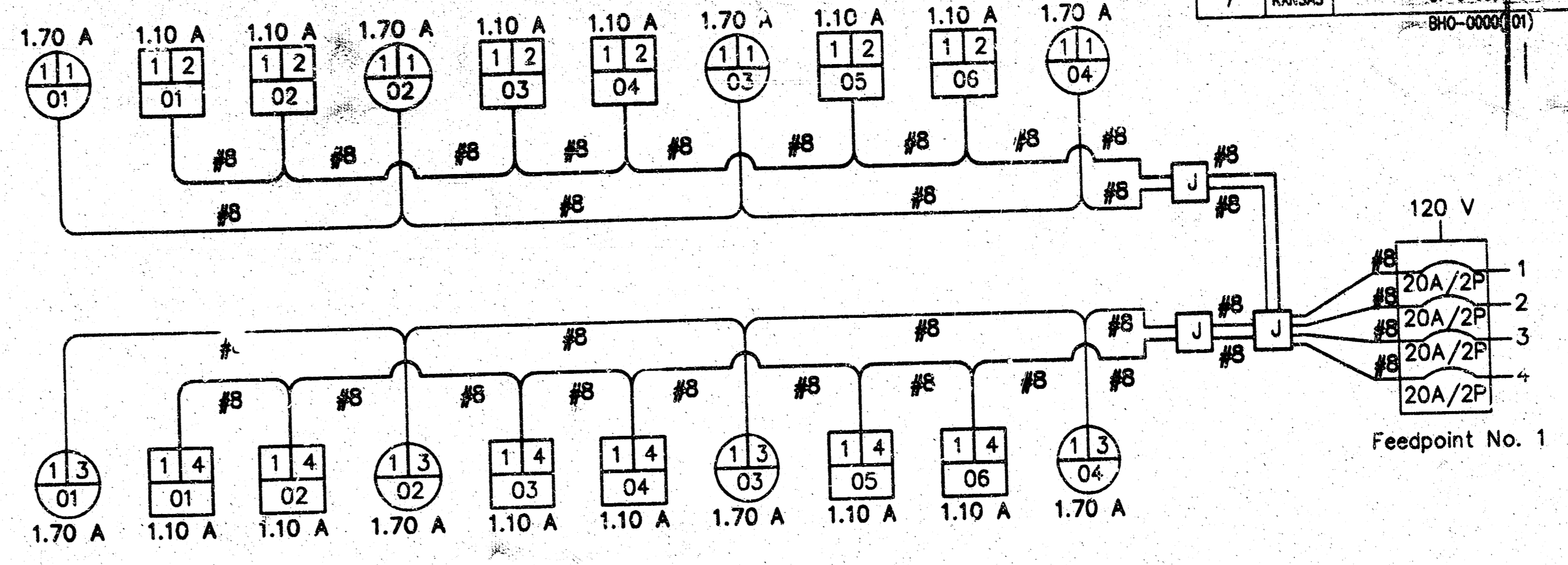


FHWA REGION NO.	STATE	PROJECT NO.	YEAR	SHEET NO.	TOTAL SHEETS
7	KANSAS	87-0-0008-01 BHO-0000(01)	1992	12	41

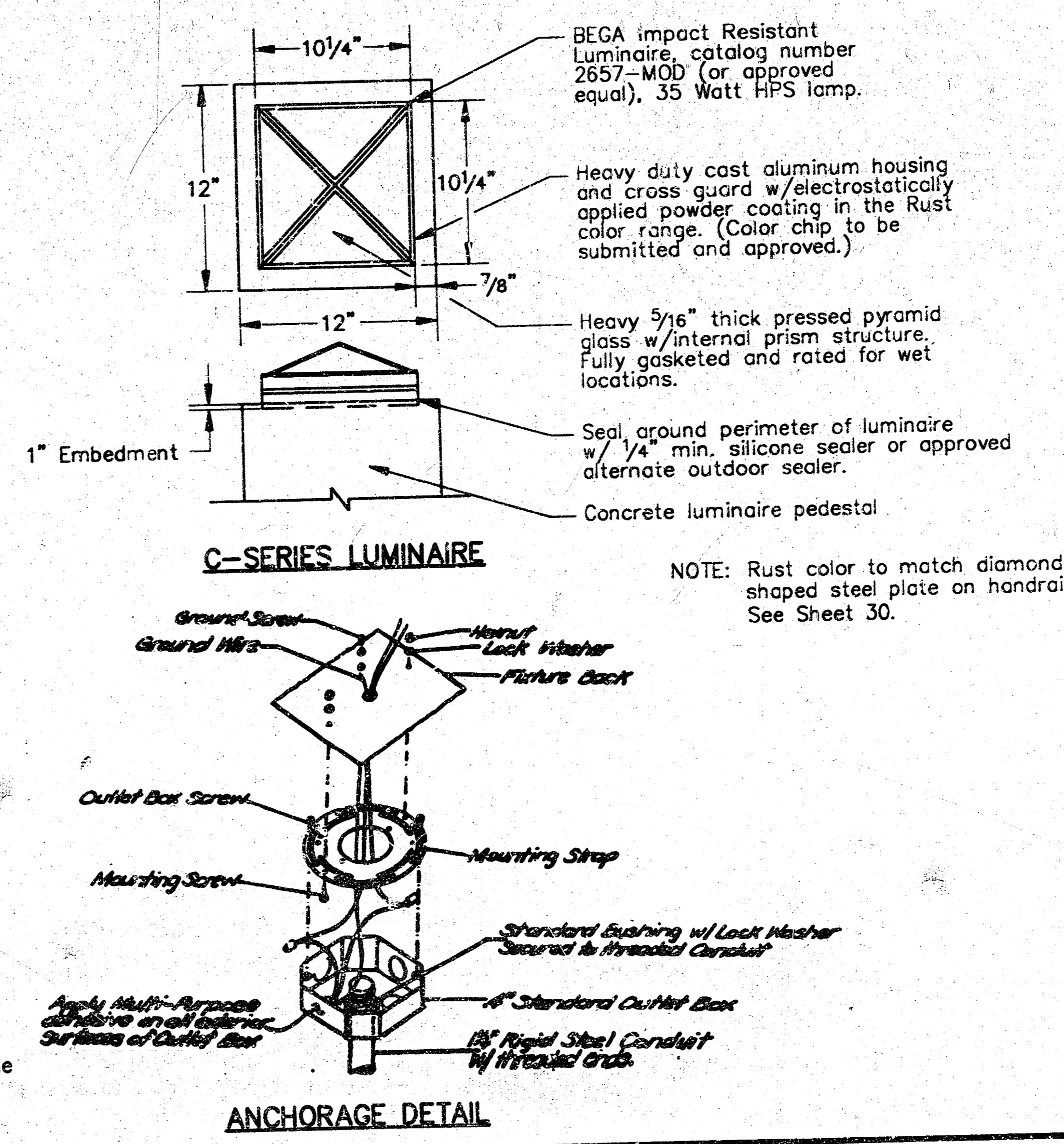
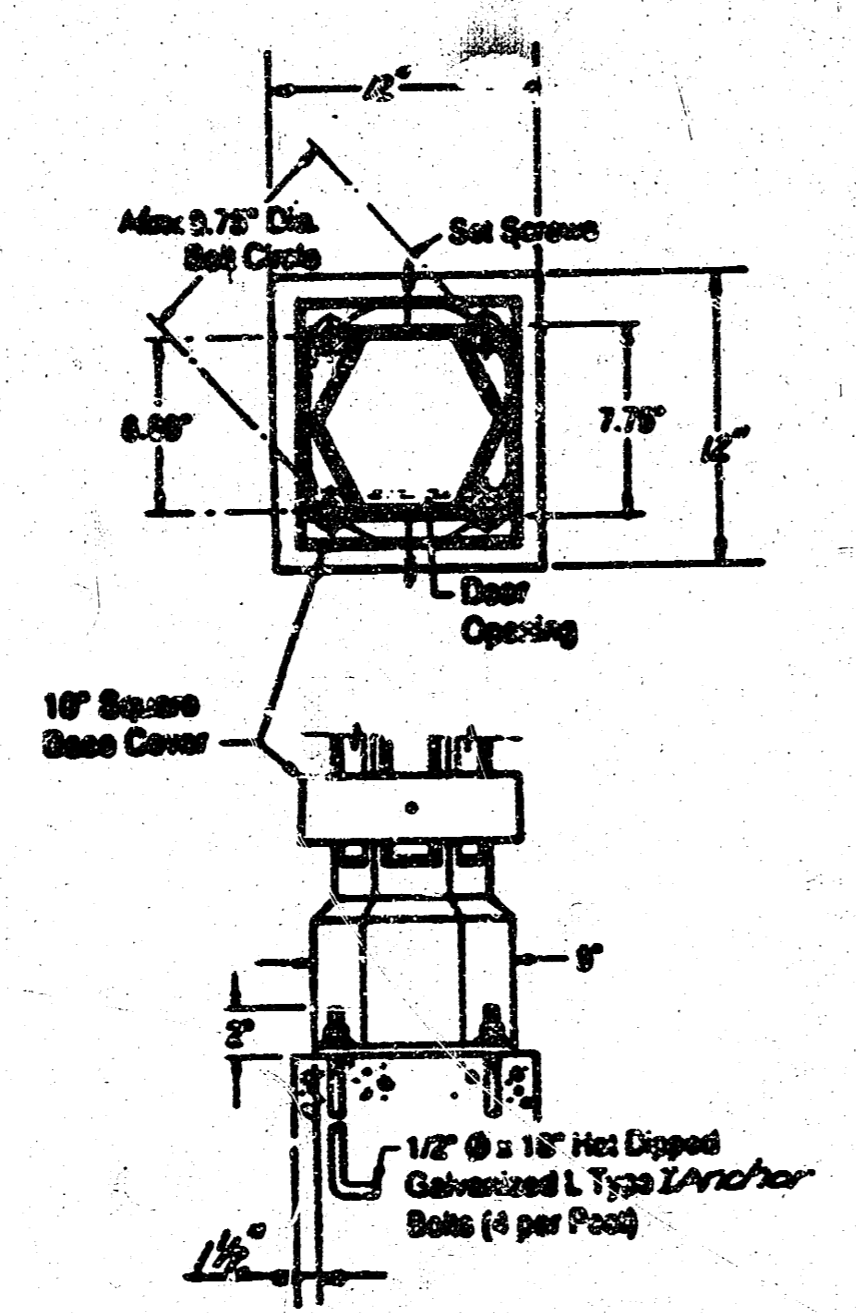


P-SERIES DECORATIVE LIGHT POLE & LUMINAIRE



LUMINAIRE SUMMARY TABLE

Centerline Reference	Station	Offset	Luminaire Type	Lamp Wattage	Pole Length
Bitting Avenue	11+90.62	21.5' Lt	P-Series	150 HPS	8'
Bitting Avenue	11+90.62	21.5' Rt	P-Series	150 HPS	8'
Bitting Avenue	12+10.58	21.5' Lt	C-Series	35 HPS	NA
Bitting Avenue	12+10.58	21.5' Rt	C-Series	35 HPS	NA
Bitting Avenue	12+42.43	21.5' Lt	C-Series	35 HPS	NA
Bitting Avenue	12+42.43	21.5' Rt	C-Series	35 HPS	NA
Bitting Avenue	12+76.44	21.5' Lt	P-Series	150 HPS	14'
Bitting Avenue	12+76.44	21.5' Rt	P-Series	150 HPS	14'
Bitting Avenue	13+12.47	21.5' Lt	C-Series	35 HPS	NA
Bitting Avenue	13+12.47	21.5' Rt	C-Series	35 HPS	NA
Bitting Avenue	13+50.44	21.5' Lt	C-Series	35 HPS	NA
Bitting Avenue	13+50.44	21.5' Rt	C-Series	35 HPS	NA
Bitting Avenue	13+86.39	21.5' Lt	P-Series	150 HPS	14'
Bitting Avenue	13+86.39	21.5' Rt	P-Series	150 HPS	14'
Bitting Avenue	14+20.50	21.5' Lt	C-Series	35 HPS	NA
Bitting Avenue	14+20.50	21.5' Rt	C-Series	35 HPS	NA
Bitting Avenue	14+52.37	21.5' Lt	C-Series	35 HPS	NA
Bitting Avenue	14+52.37	21.5' Rt	C-Series	35 HPS	NA
Bitting Avenue	14+72.42	21.5' Lt	P-Series	150 HPS	8'
Bitting Avenue	14+72.42	21.5' Rt	P-Series	150 HPS	8'



3					
2					
1					
NO.	DATE:	REVISIONS	BY	APP'D.	
KANSAS DEPARTMENT OF TRANSPORTATION					
ELECTRICAL DETAILS					
BITTING AVENUE BRIDGE OVER LITTLE ARKANSAS RIVER SEDCWICK COUNTY					
SHEET NO. 12	SCALE NONE	APP'D.			
DESIGNED BLW	DETAILED E.M.R.	QUANTITIES		TRACED	
DESIGN CK. RAW	DETAIL CK. BLW	QUANT. CK.		TRACE CK.	