

Connect 15" CMP to Existing Curb Inlet.
R In = 110.72

Sta. 0+00 =
Inside corner of
existing concrete
sidewalk.

Sta. 1+25 Const.
Brick Manhole
13' Lt.
Install 15" x 10" CMP(S)
Iron Pipe (E)
Top Elev = 113.10
R In = 111.10
R Out = 111.00

Sta. 1+25 Const.
Area Inlet Type I
19' Lt.
Install 15" x 6" CMP(SE)
Top Elev = 113.10
R Out = 111.15

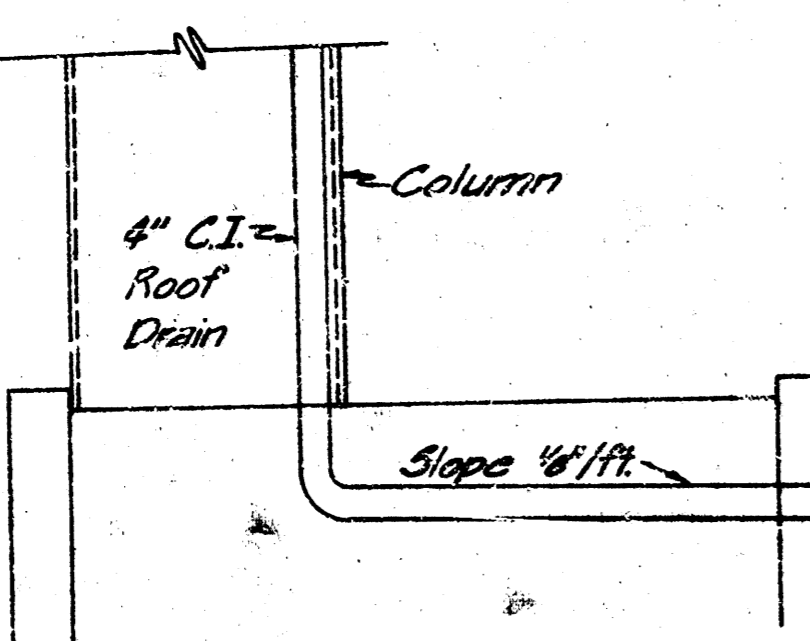
Sta. 2+72.50 Const.
Area Inlet Type II
15' Rt.
Install 12" x 2" CMP (E)
Top Elev = 115.00
R Out = 111.40

Sta. 2+72.50 Const.
Area Inlet Type I
19' Lt.
Install 15" x 5" CMP(E)
Top Elev = 113.15
R Out = 111.30

Sta. 2+72.50 Const.
Brick Manhole 13' Lt.
Install 15" x 14G.5" CMP(S)
Top Elev = 113.54
R In = 111.30
R Out = 111.30

Sta. 3+50 =
Sta. 0+00

B.M. - "D" on P.I. of curb E. side Emporia
35' N. of NW. Cor. Heritage Plaza
Elev = 114.42



4" Overflow Drain shall be
outlet on North side of
Column, 1'-0" above wall
elevation.

SECTION D-D

Scale: 1" = 20'

CITY OF WICHITA
APPROVED: Approval does not release the contractor
from any responsibility for errors or
omissions from the contract require-
ments or for any deficiencies of
materials, work, or installation.
Date: 2/1/83
Engineering: [Signature]

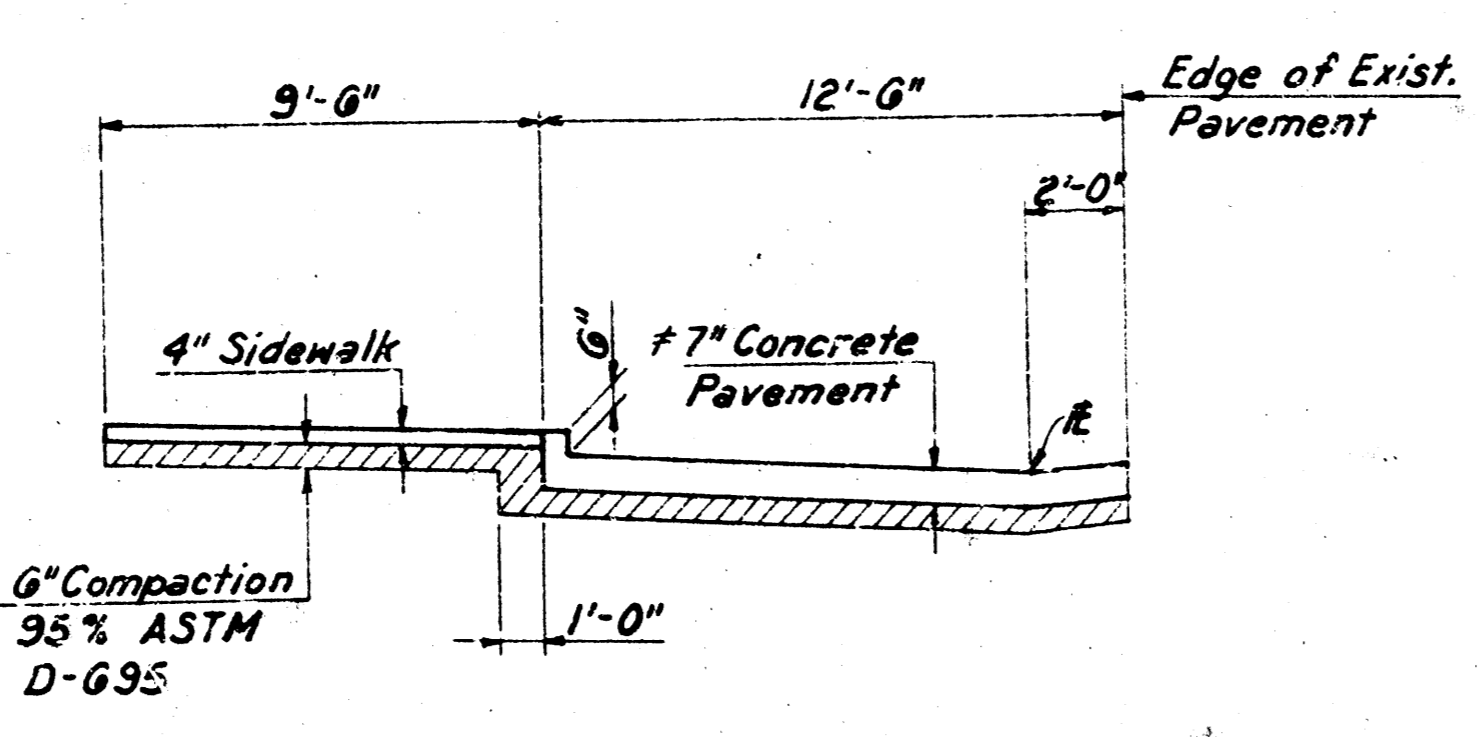
* 5' Ramp

LEGEND
 ■ PROPOSED PAVEMENT
 OR SIDEWALK
 □ PAVEMENT REMOVAL

Revised March 4, 1983

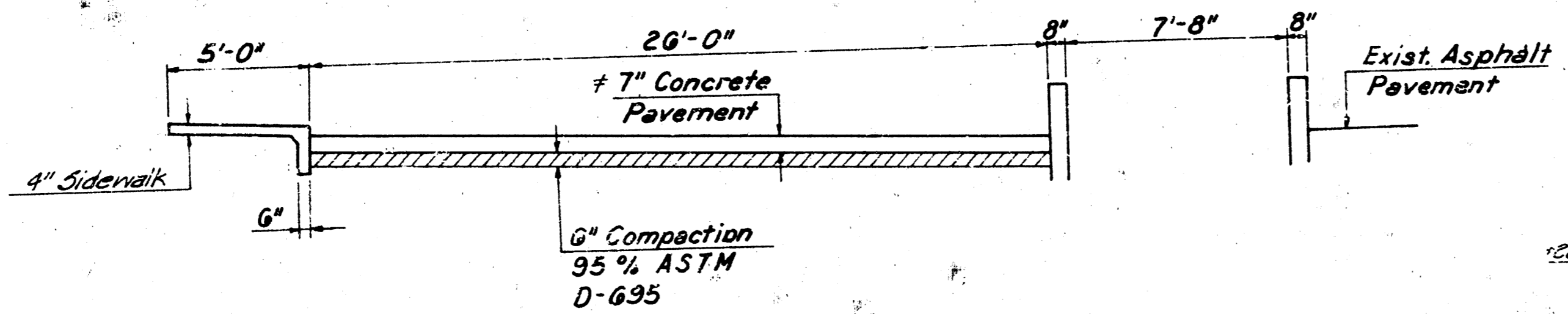


PRIVATE STORM WATER SEWER,
HERITAGE SQUARE

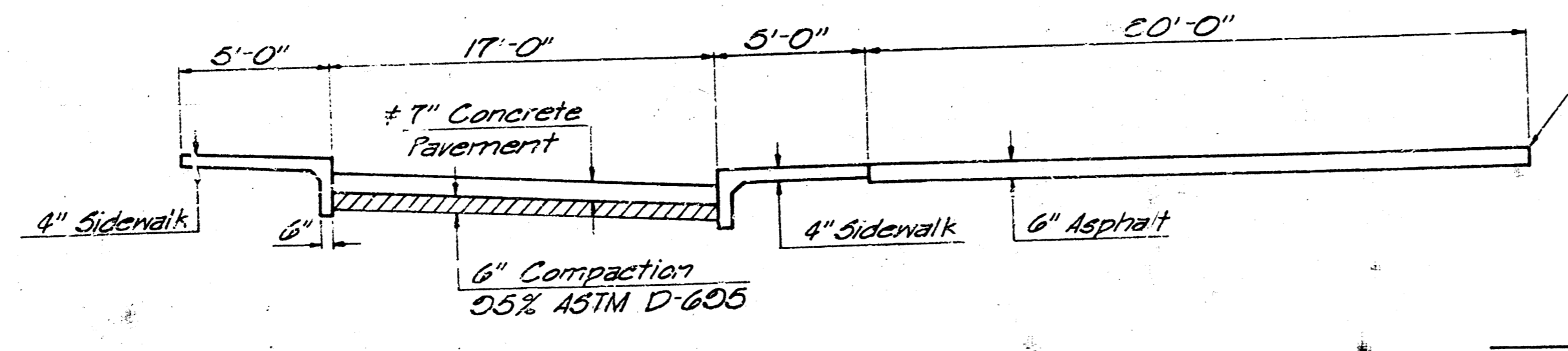


SECTION A-A

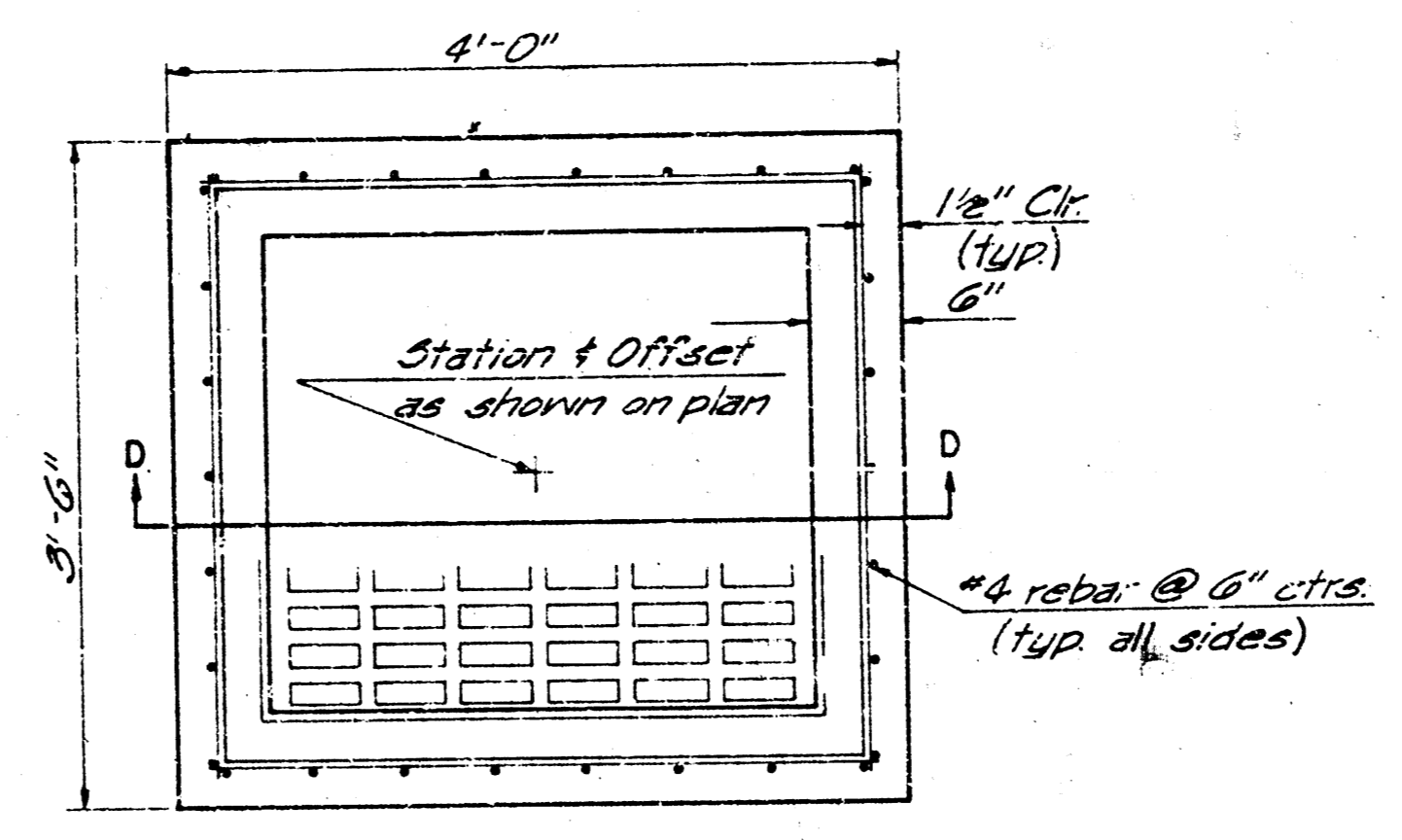
7" Concrete Pavement shall conform to City of Wichita Standard Specifications for Concrete Pavement.



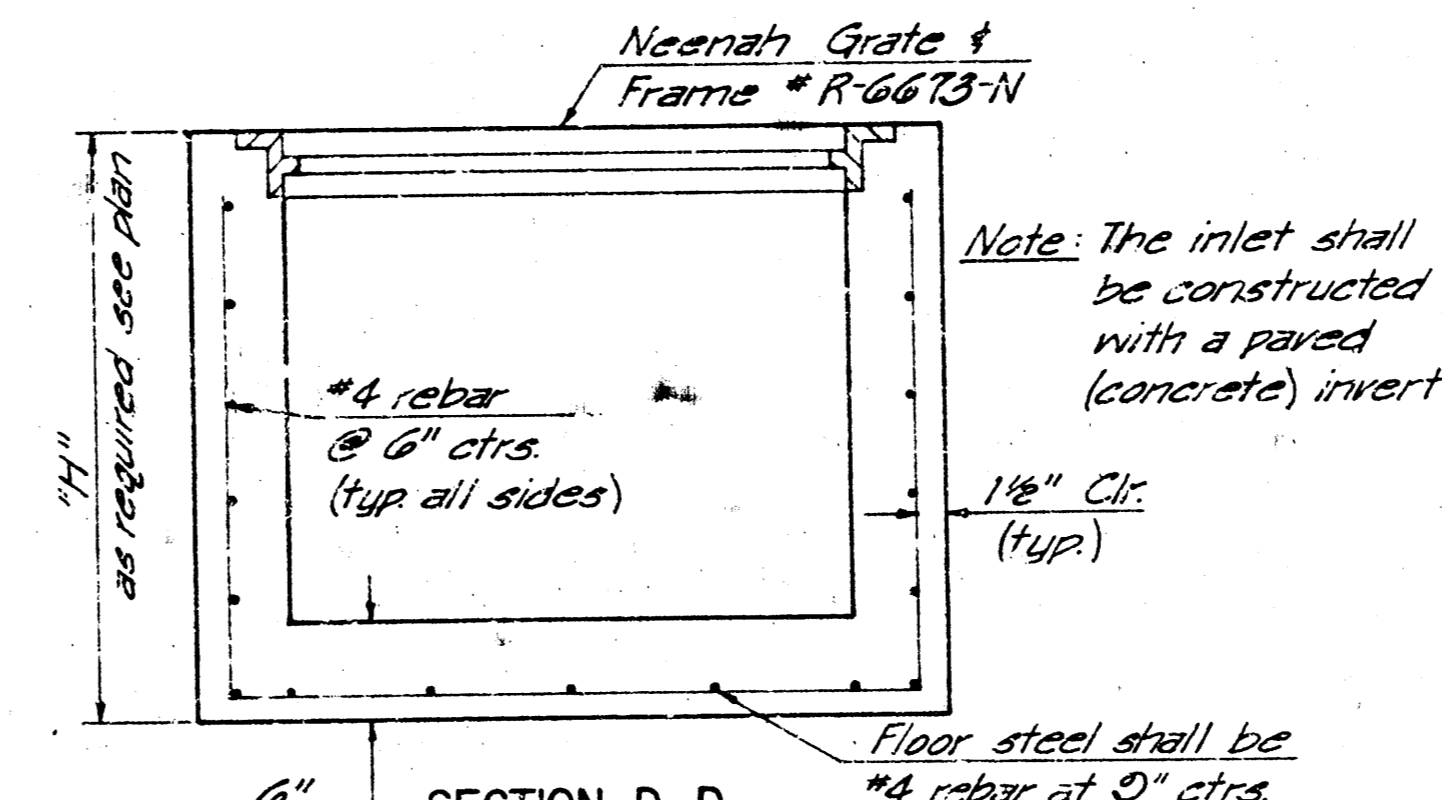
SECTION B-B



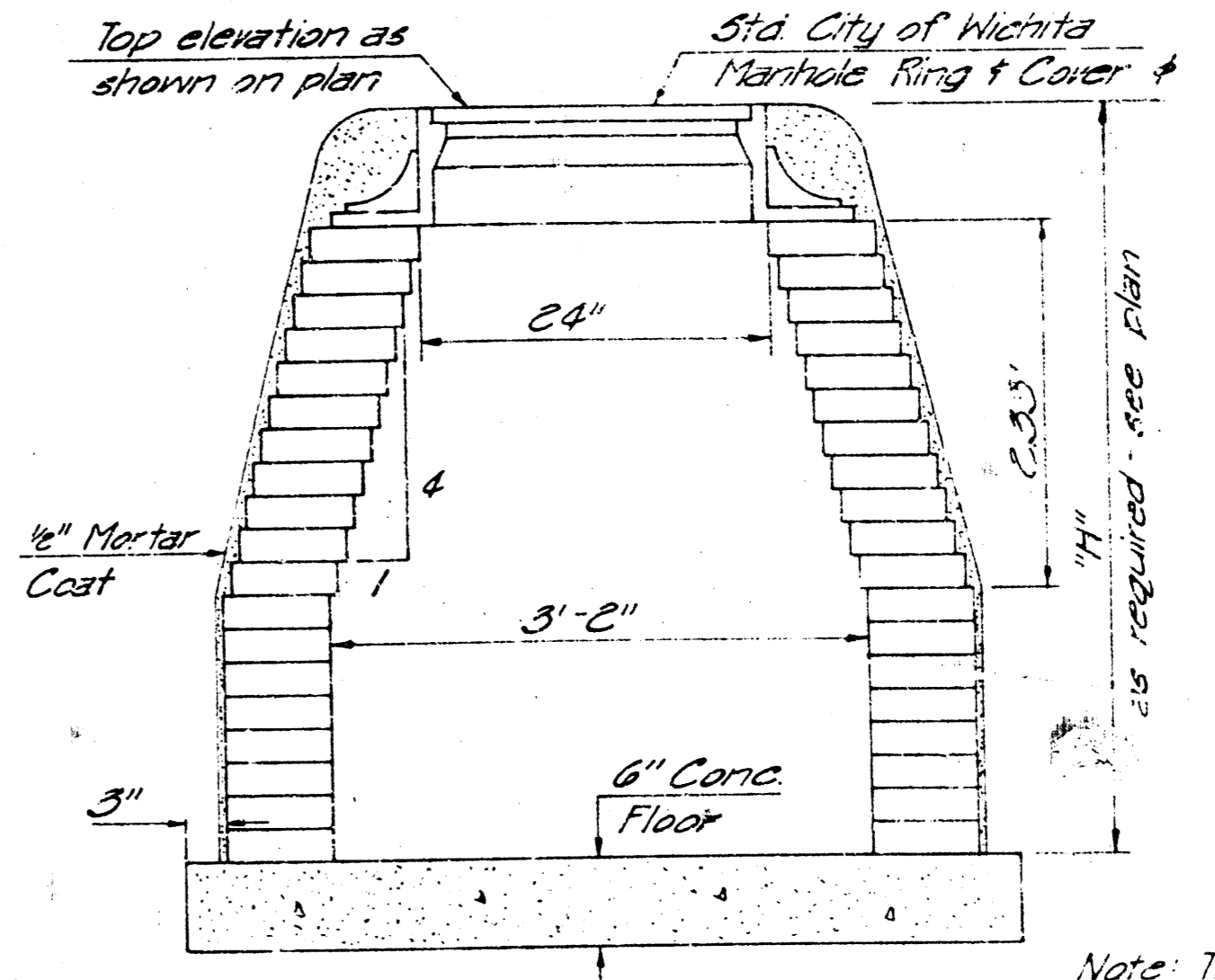
SECTION C-C



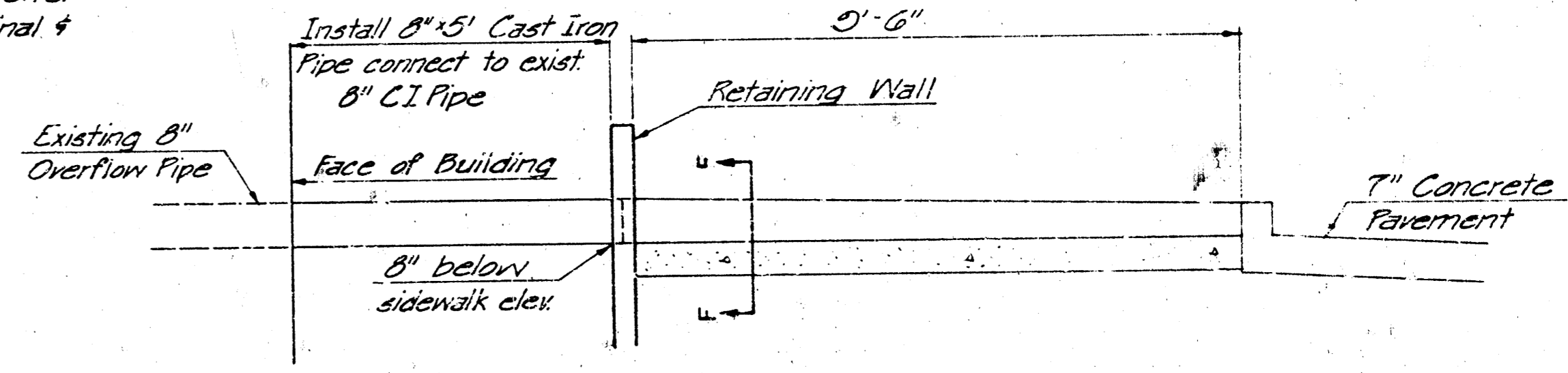
AREA INLET TYPE I



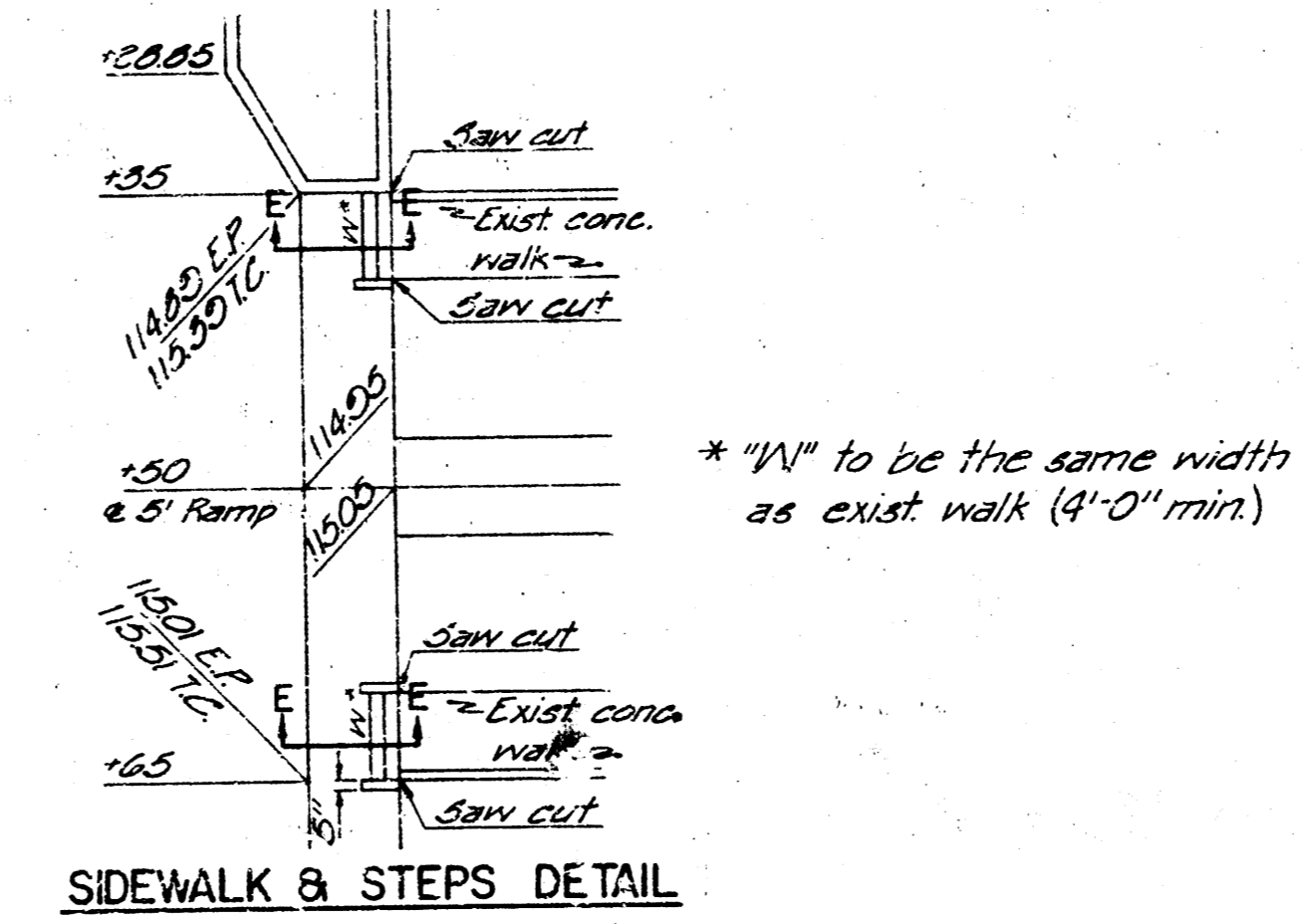
SECTION D-D



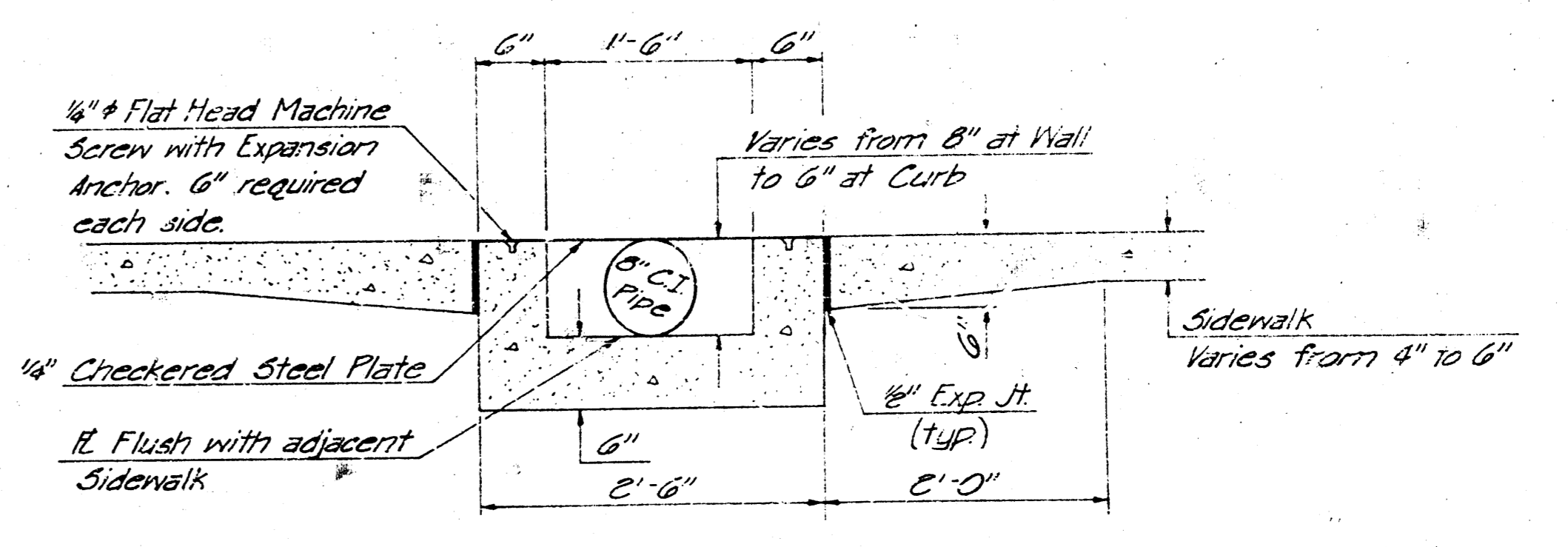
BRICK MANHOLE AND AREA INLET TYPE II DETAIL



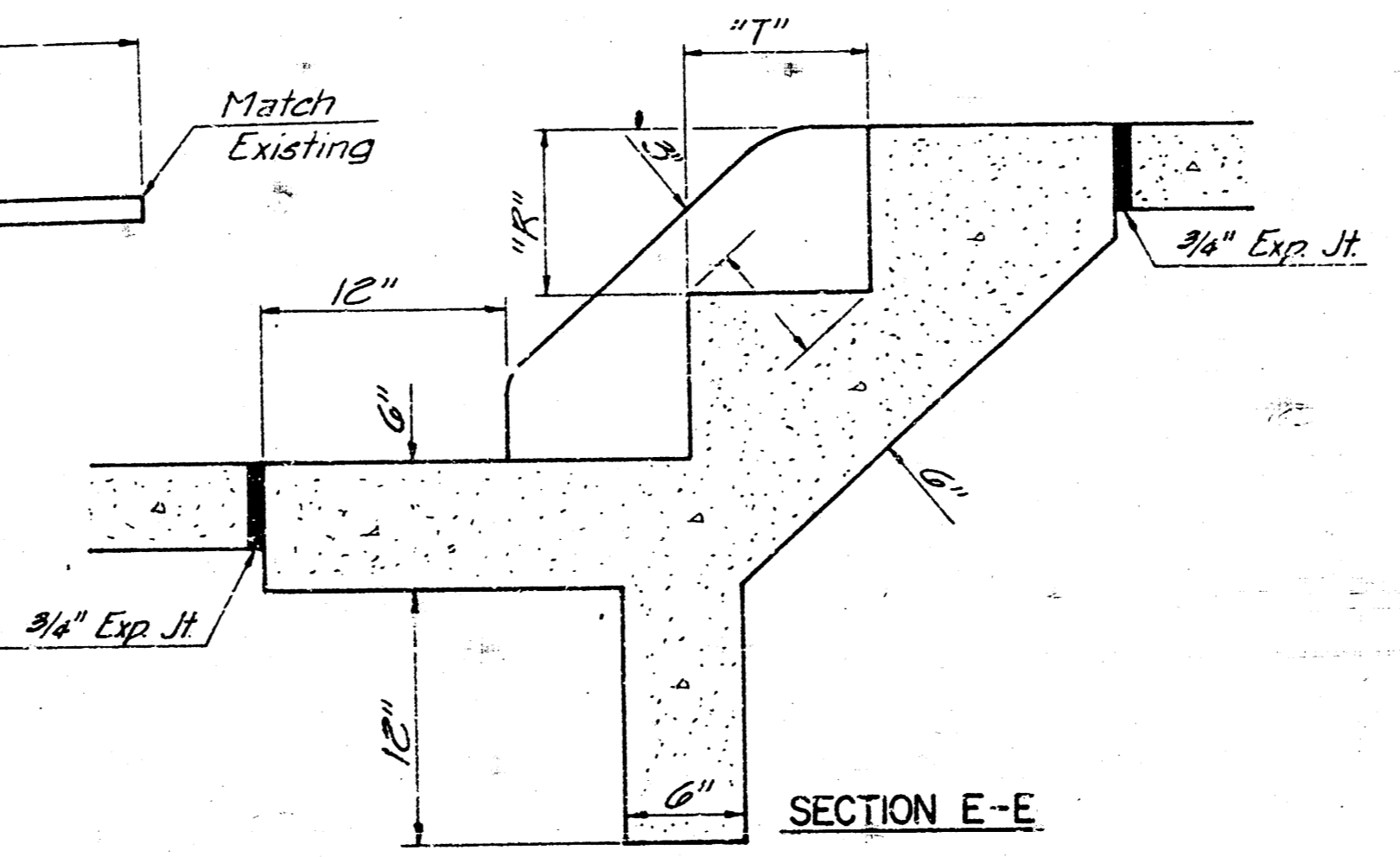
COVERED DRAIN DETAIL



SIDEWALK & STEPS DETAIL



SECTION F-F



SECTION E-E

Step form 1/4
 1/2" x 1/2" - not less than 10 or not more than 15
 The maximum 1/2" = 7/16"
 The maximum 1/2" = 0"

