

STORM WATER SEWER

TO SERVE A PART OF

BLOCK 1, MADONNA ADDITION

TO WICHITA, SEDGWICK COUNTY, KANSAS

U.S.D. # 259

WILBUR MIDDLE SCHOOL

CITY OF WICHITA, KANSAS

JAMES ARMOUR, P.E.

ACTING CITY ENGINEER

PRIVATE PROJECT NO. 1480 PPS

OCA # 607861

October 2004

APPROVED AS NOTED
BY CITY ENGINEER OF WICHITA

Sanitary Sewers _____

Storm Sewers VRH 10/2/04

Driveway/Approaches _____

Water Mains _____

Paving _____

NOTE TO CONTRACTOR

INSPECTION AND TESTING FOR THIS PROJECT IS TO BE PROVIDED BY A LICENSED CONSULTING ENGINEERING FIRM UNDER CONTRACT WITH THE OWNER/DEVELOPER. SAID INSPECTION IS TO BE IN ACCORDANCE WITH THE CITY OF WICHITA STANDARD CONSTRUCTION ENGINEERING PRACTICES AND CERTIFIED BY A LICENSED PROFESSIONAL ENGINEER. NO WORK SHALL BE PERFORMED IN DEDICATED EASEMENTS OR THE PUBLIC RIGHT-OF-WAY BY THE CONTRACTOR WITHOUT SUCH INSPECTION NOR SHALL ANY WORK BE COMMENCED IN DEDICATED EASEMENTS OR PUBLIC RIGHT-OF-WAY WITHOUT WRITTEN AUTHORIZATION BY THE CITY ENGINEER.

NOTES

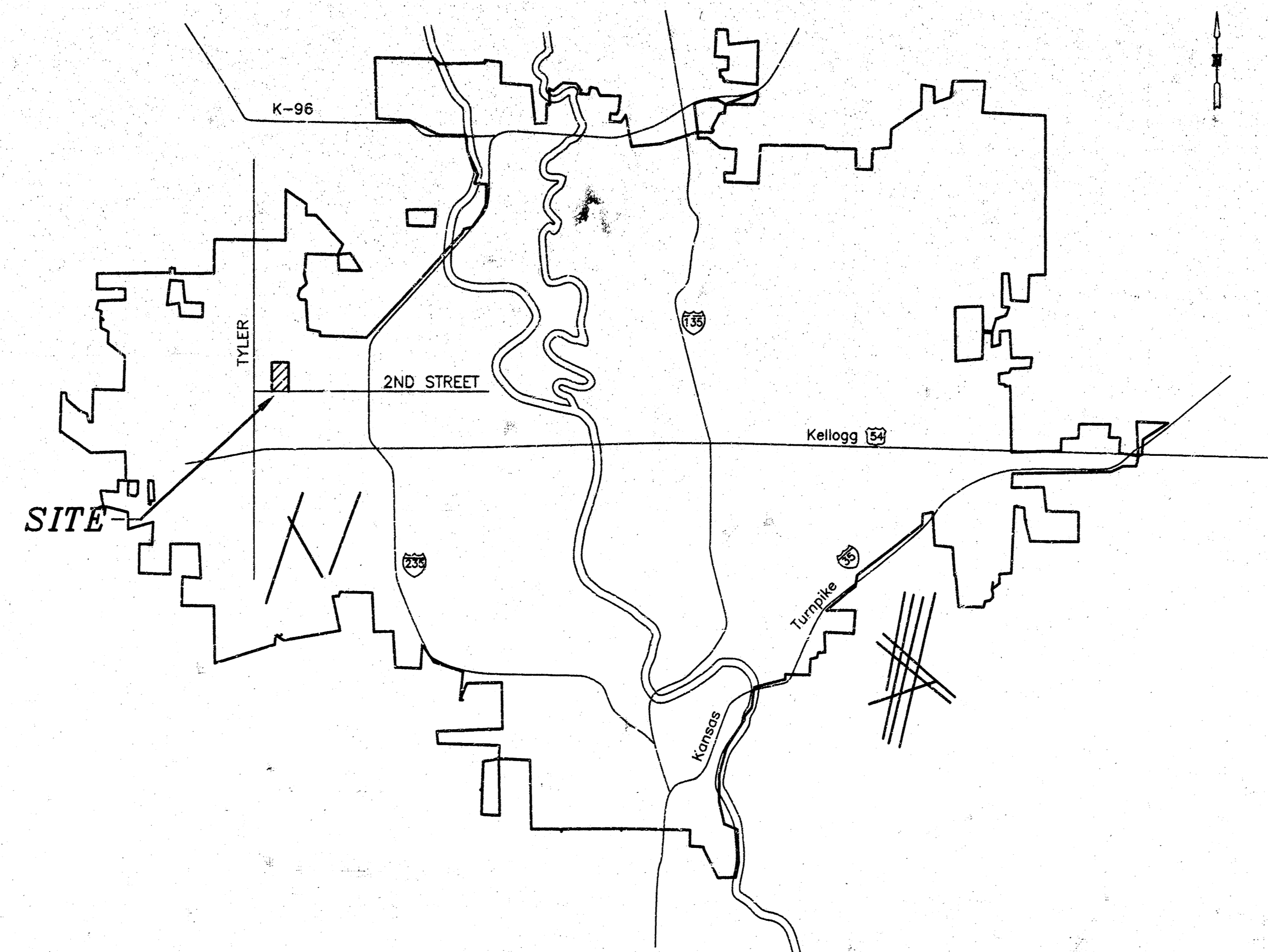
1. THE CONTRACTOR WILL BE REQUIRED TO PROVIDE ADVANCE NOTICE OF TWENTY-FOUR (24) HOURS TO UTILITY COMPANIES PRIOR TO STARTING ANY EXCAVATION AS FOLLOWS:

KANSAS ONE-CALL 687-2470

THE CONTRACTOR MUST NOTIFY THE FOLLOWING IN CASE OF EMERGENCY:

CABLEVISION	262-4270 OR 263-2061
KANSAS GAS & ELECTRIC (GAS)	263-7511
KANSAS GAS & ELECTRIC (ELECTRIC)	264-1141
ARKLA GAS COMPANY	942-3350 OR 263-8161
SOUTHWESTERN BFL TEL. TELEPHONE	1-571-2371
CITY OF WICHITA WATER DEPT.	268-4508
CITY OF WICHITA SEWER MAINTENANCE	268-4071

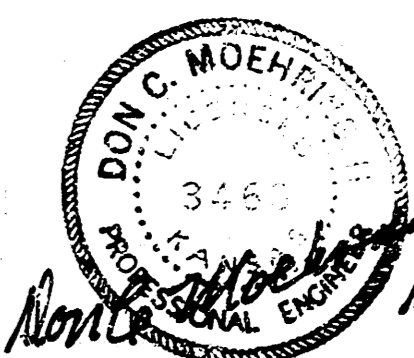
2. THE CONTRACTOR SHALL BE RESPONSIBLE FOR PROPERTY IRONS. THE CONTRACTOR WILL BE REQUIRED TO REESTABLISH ANY PROPERTY IRONS WHICH ARE DAMAGED OR DESTROYED BY HIS CONSTRUCTION OPERATIONS. SUCH IRONS SHALL BE REESTABLISHED BY A LICENSED LAND SURVEYOR IN ACCORDANCE WITH STATE LAWS.
3. UNLESS OTHERWISE SPECIFIED ON THE PLANS, MANHOLES MAY BE TYPE "P", "C" OR "D" MANHOLES. MANHOLES SHALL BE CONSTRUCTED IN ACCORDANCE WITH THE STANDARD SPECIFICATIONS AND THE STANDARD DETAIL DRAWINGS.
4. TRAFFIC WILL NOT BE AFFECTED IN THIS AREA OF CONSTRUCTION.



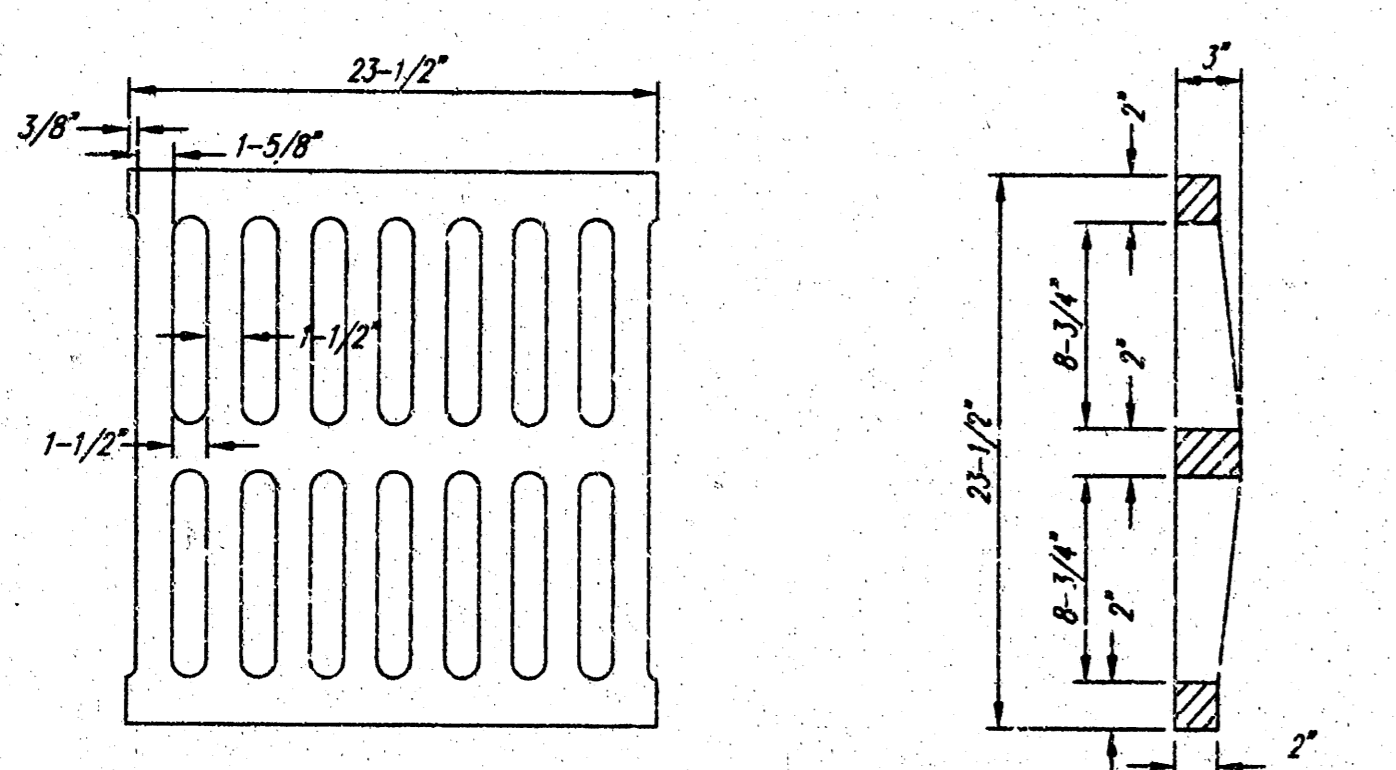
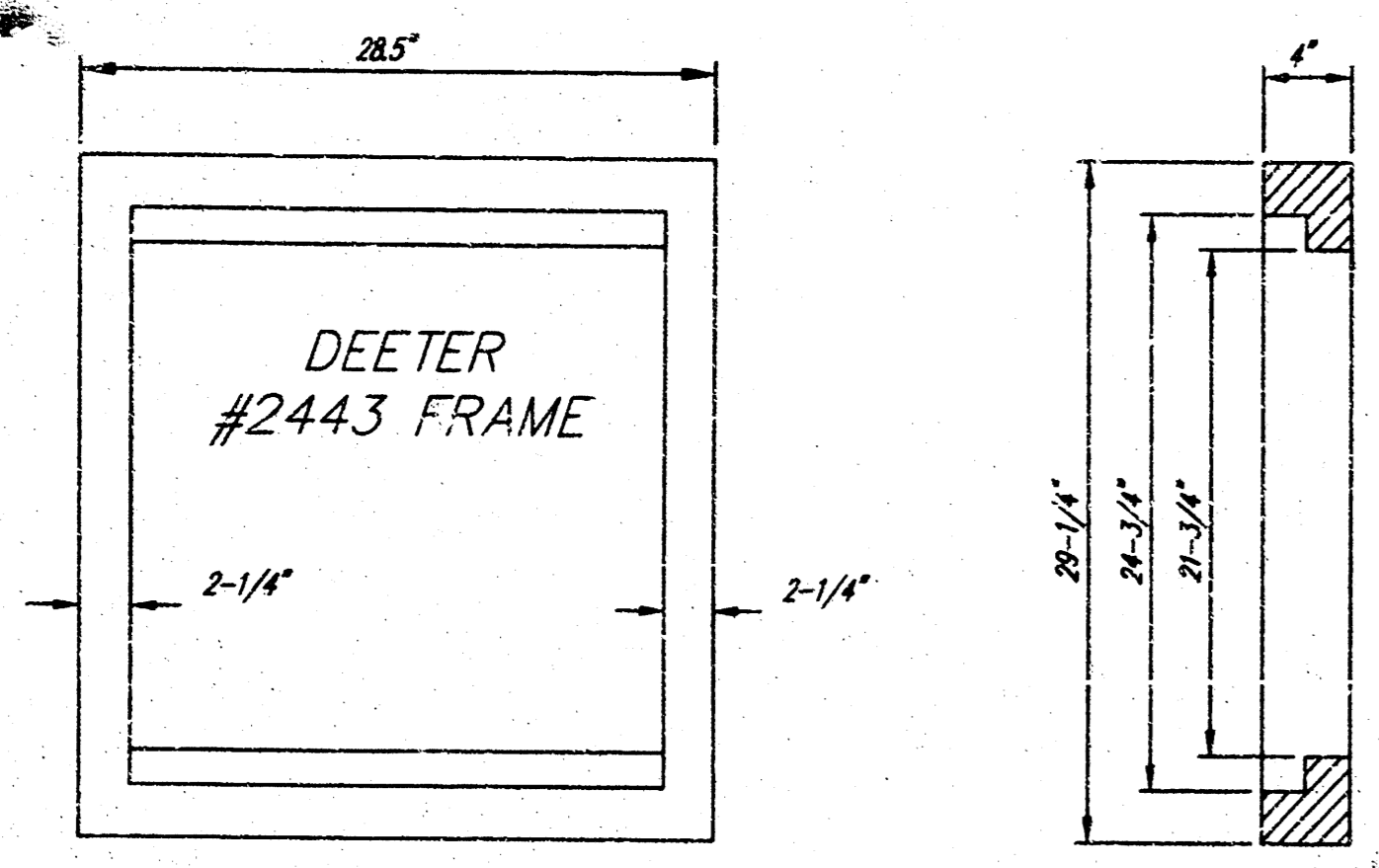
INDEX

1. Cover Sheet
2. Standard Inlet Details
3. Plan & Profile - Line 1

As-built 5-3-05 JCR

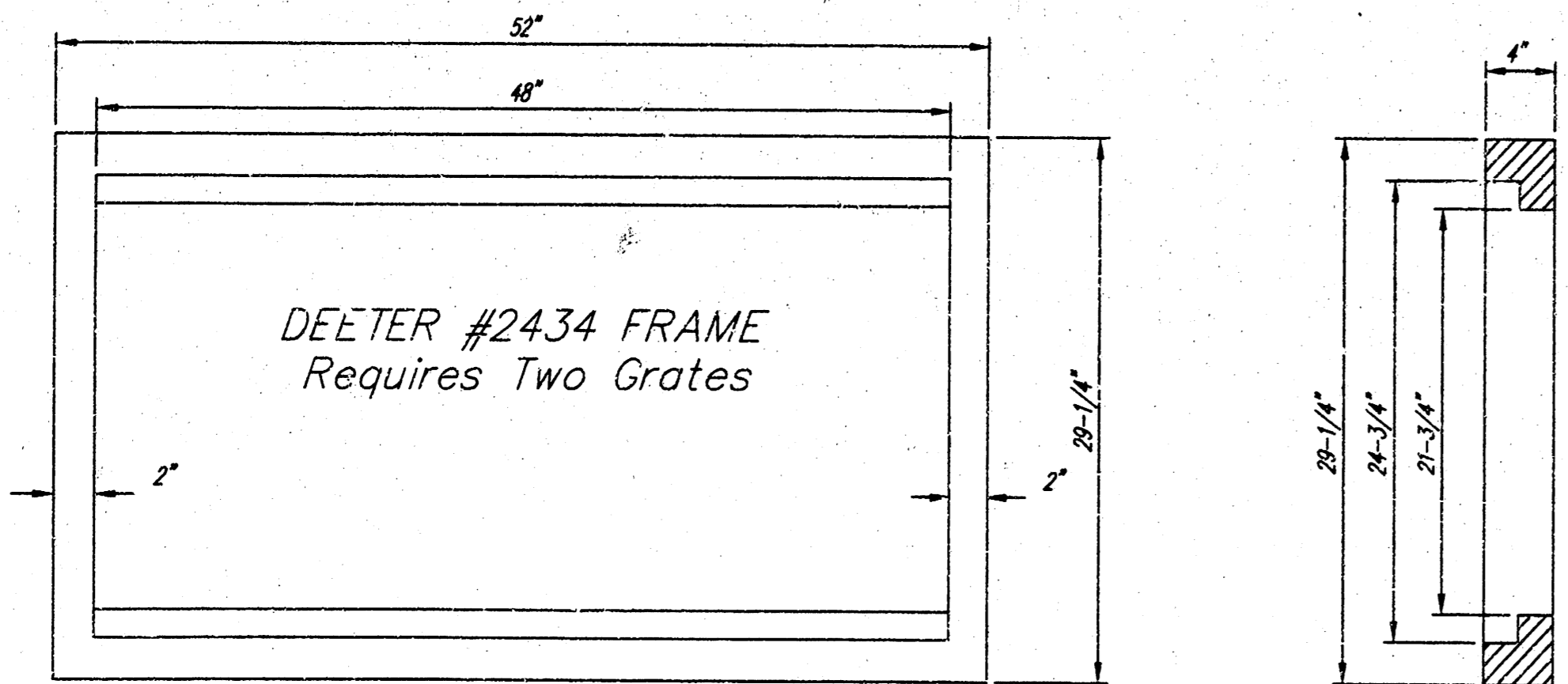


MOEHRING & ASSOCIATES
CONSULTING ENGINEERS
WICHITA



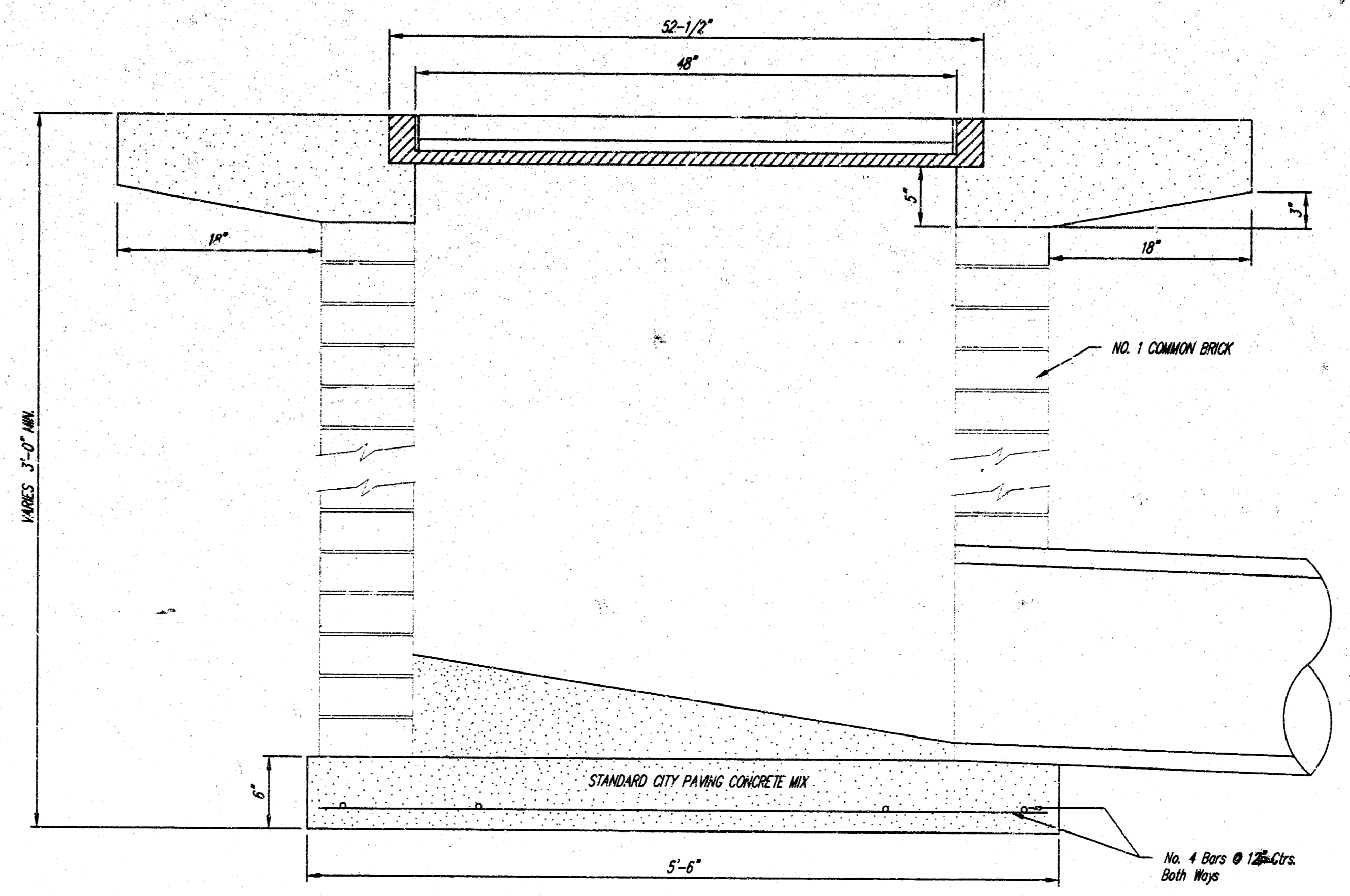
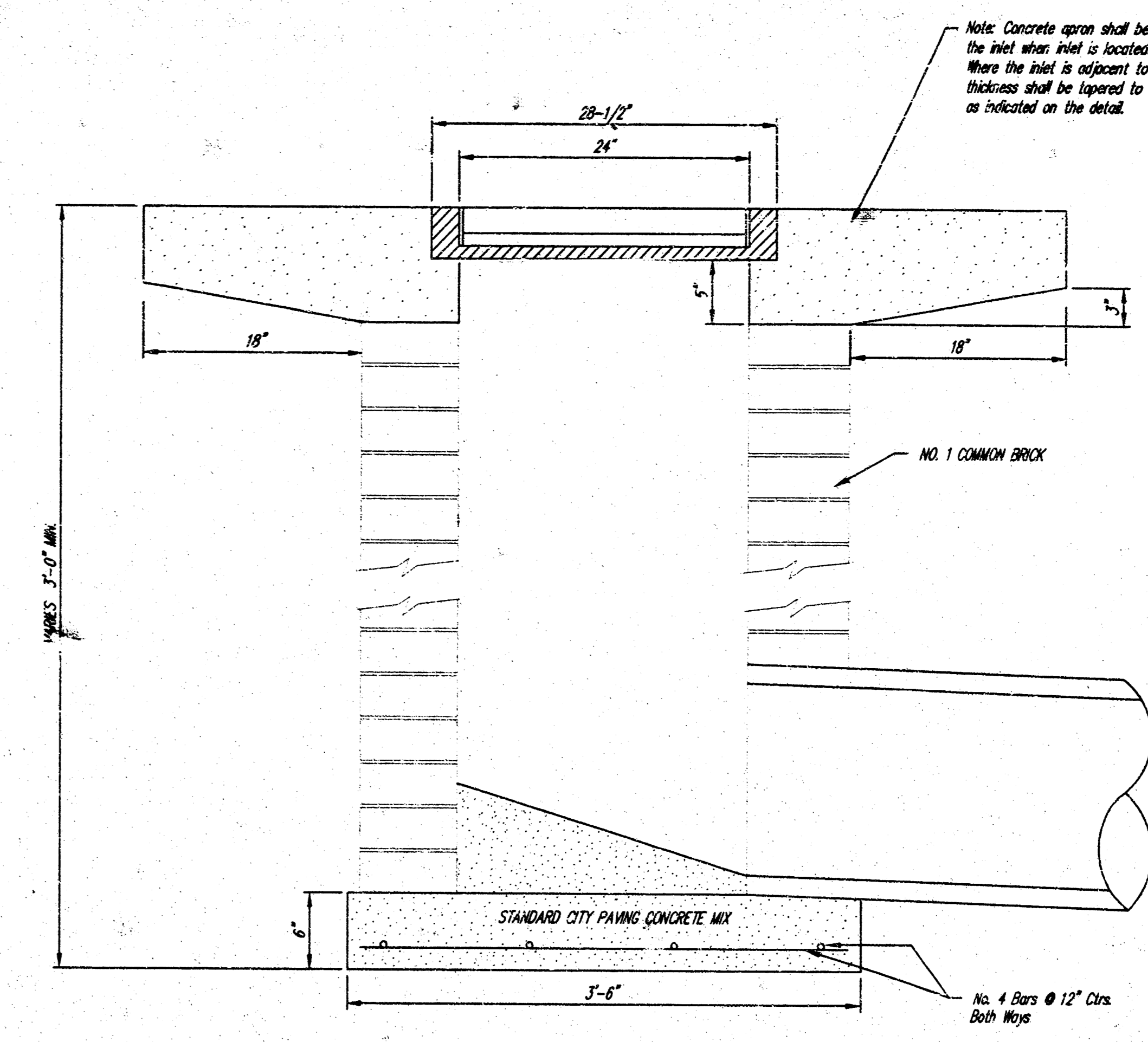
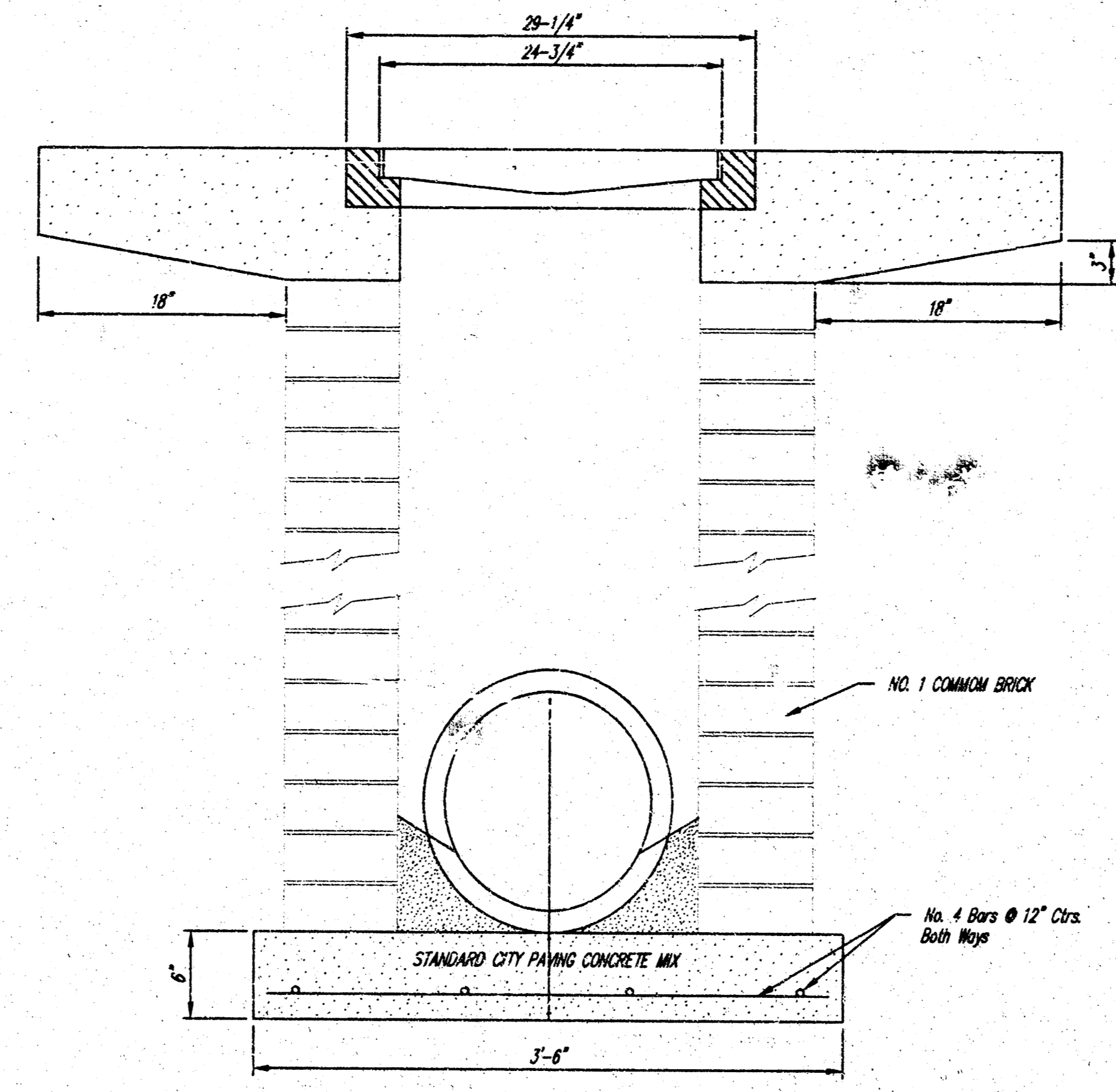
DEETER #2433 GRATE

24" x 24" Frame and Grate Detail



Double 24" x 24" Frame Detail

NOTE: Grates shall be imprinted on the top surface with "CITY OF WICHITA" using letters at least 1" in height. Other marking methods may be approved by the engineer.

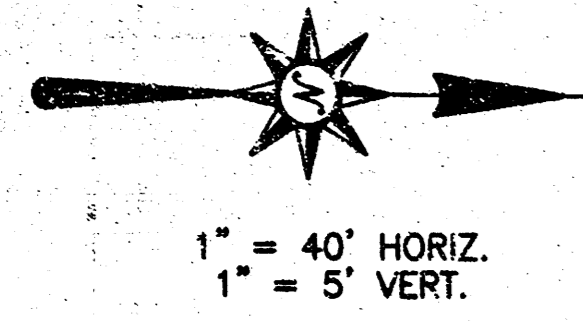


THE CITY OF WICHITA

CITY ENGINEER'S OFFICE
CITY HALL - SEVENTH FLOOR
405 NORTH MAIN STREET
WICHITA, KANSAS 67202
(316) 268-4500
(316) 268-4114 FAX

DROP INLET 2' X 2' 1/2' X 4'	
NEIL CABLE P.E. - CITY ENGINEER	
PROJECT NUMBER 1480 PPS	INDEX CODE 607861
DATE MAR 96	SHEET 2 OF 3

SCALE = 1" = 10'

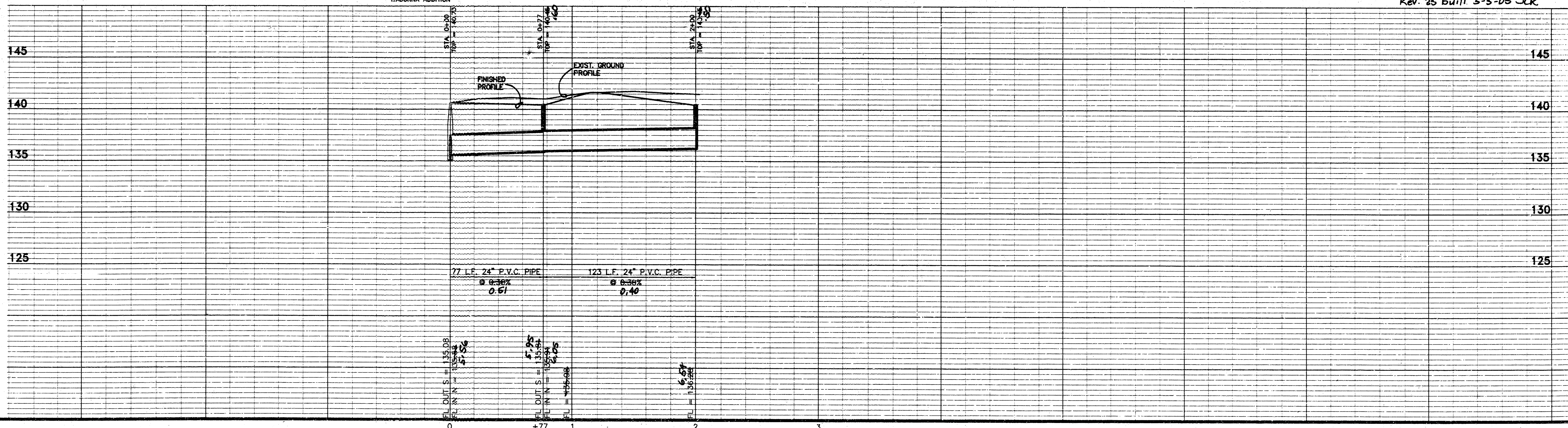
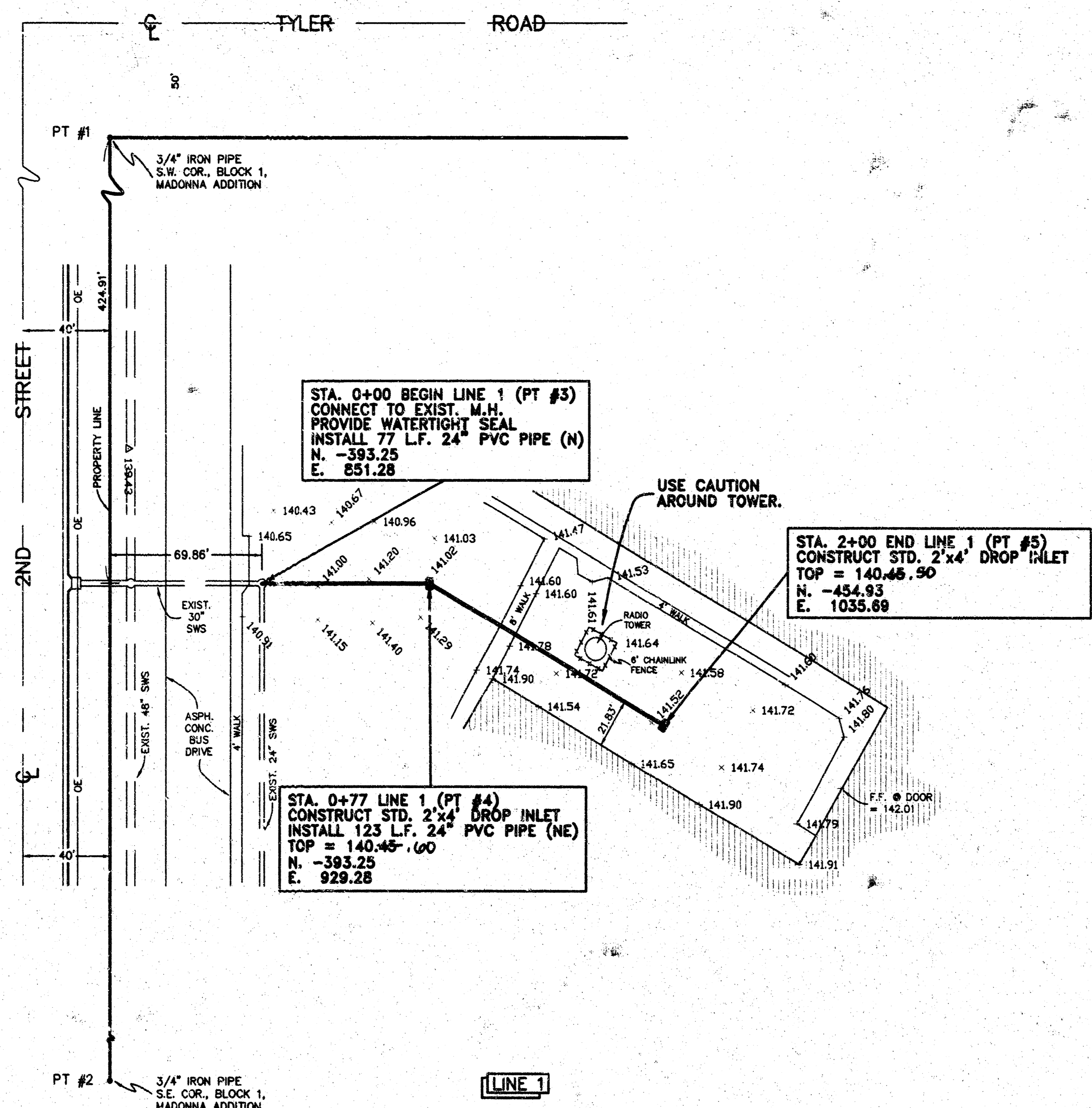


- LEGEND**
- OE = OVERHEAD ELECTRIC
 - ESB = ELECTRIC SWITCH BOX
 - UP = UTILITY POLE
 - TSB = TELEPHONE SPLICE BOX
 - UT = UNDERGROUND TELEPHONE
 - W = WATER MAIN
 - WV = WATER VALVE
 - FH = FIRE HYDRANT
 - FO = FIBER OPTIC LINE
 - SS = SANITARY SEWER

SITE COORDINATES

PT. #	N. COORD.	E. COORD.
1	31.66	781.42
2	-918.34	781.42
3	-393.25	851.28
4	-393.25	929.28
5	-454.93	1035.69

BENCHMARK
 CHISELED SQUARE ON CTR. OF EAST HUBGUARD
 R.C.B.C. UNDER TYLER RD., 200' N. OF 2ND STREET.
 ELEV. = 137.25 CITY DATUM.



C:\SC2000\WORK\WILBURSWS.DWG