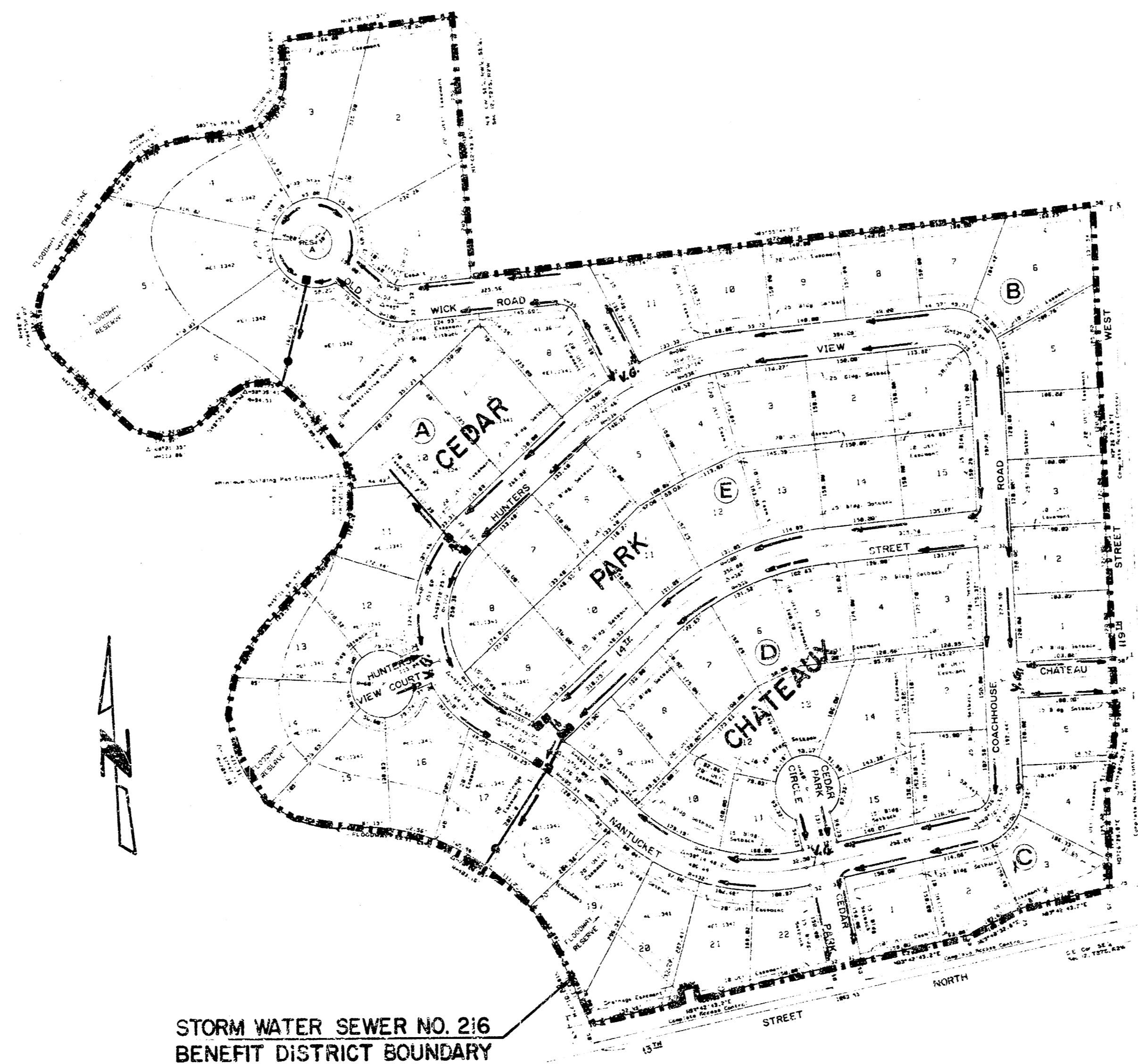


CITY OF WICHITA, KANSAS
STORM WATER SEWER NO. 216
 (CEDAR PARK CHATEAUX)

R. W. BRUGGEMAN: DIRECTOR OF ENGINEERING / CITY ENGINEER

MARCH, 1981

PROJ. NO. 468 · 76 · 245 · 81039 · 000 · 000 · 001



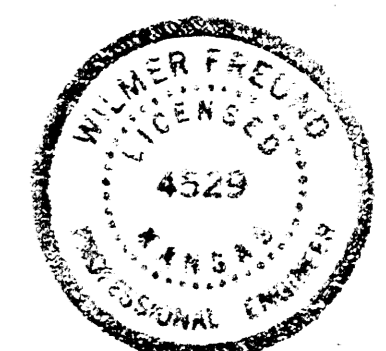
INDEX OF SHEETS

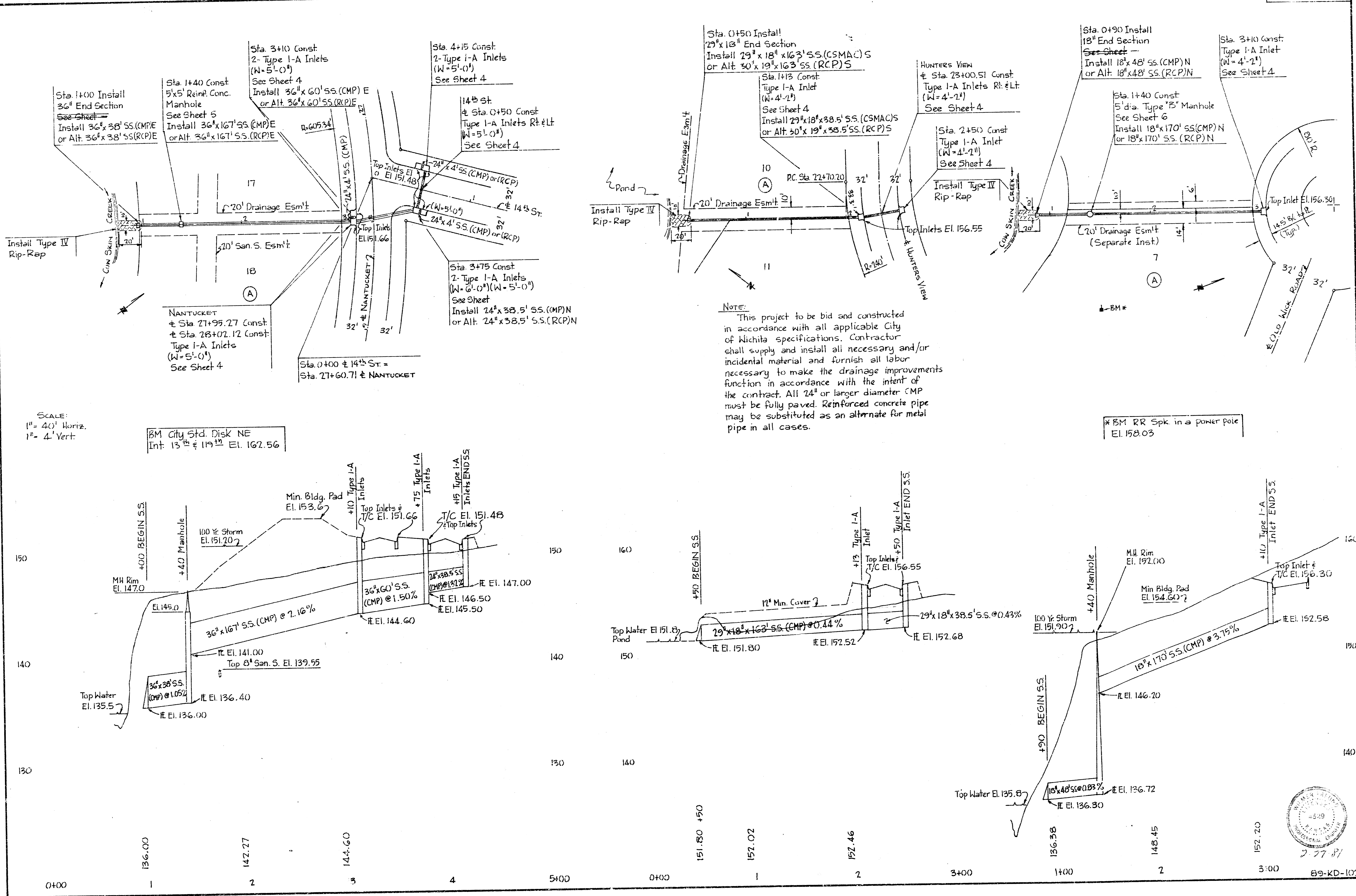
1. TITLE SHEET
- 2-3. PLAN & PROFILE SHEETS
4. TYPE I-A INLET DETAILS
5. REINFORCED CONCRETE MANHOLES
6. SEWER APPURTENANCES

LEGEND

- BENEFIT DISTRICT BOUNDARY
- DRAINAGE FLOW DIRECTION
- PROPOSED INLET
- PROPOSED MANHOLE

PLANS PREPARED BY
 DELAMATER, FREUND & ASSOCIATES, P.A.
 ENGINEERS AND ARCHITECTS
 WICHITA, KANSAS



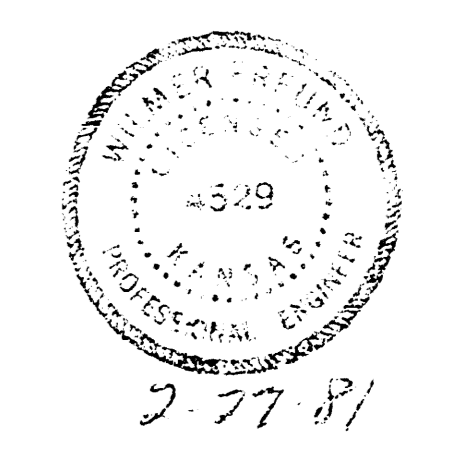


SCALE:
1" = 40' Horiz.
1" = 4' Vert.

BM City Std. Disk NE
Int. 13th & 11th El. 162.56

NOTE:
This project to be bid and constructed in accordance with all applicable City of Wichita specifications. Contractor shall supply and install all necessary and/or incidental material and furnish all labor necessary to make the drainage improvements function in accordance with the intent of the contract. All 24" or larger diameter CMP must be fully paved. Reinforced concrete pipe may be substituted as an alternate for metal pipe in all cases.

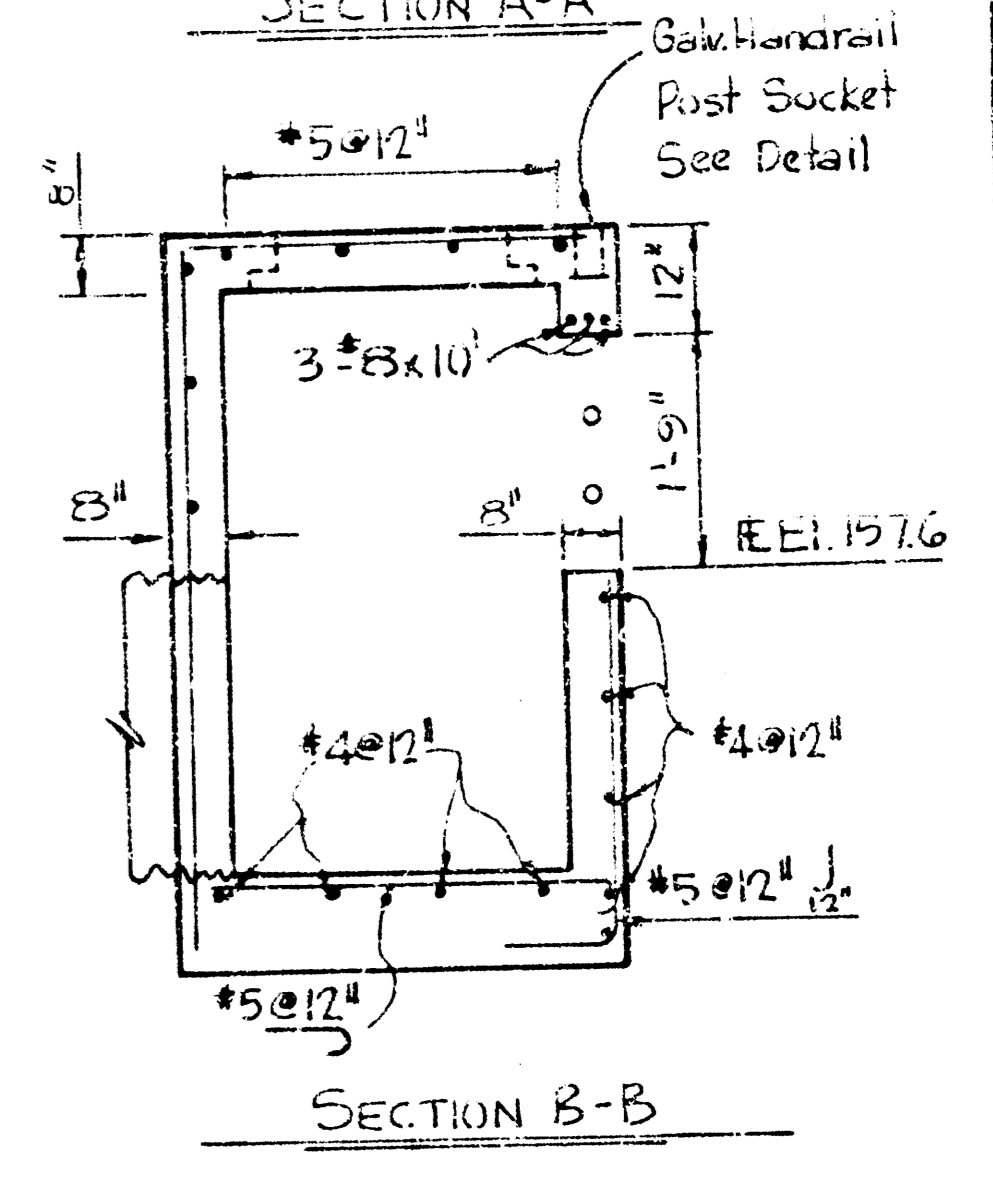
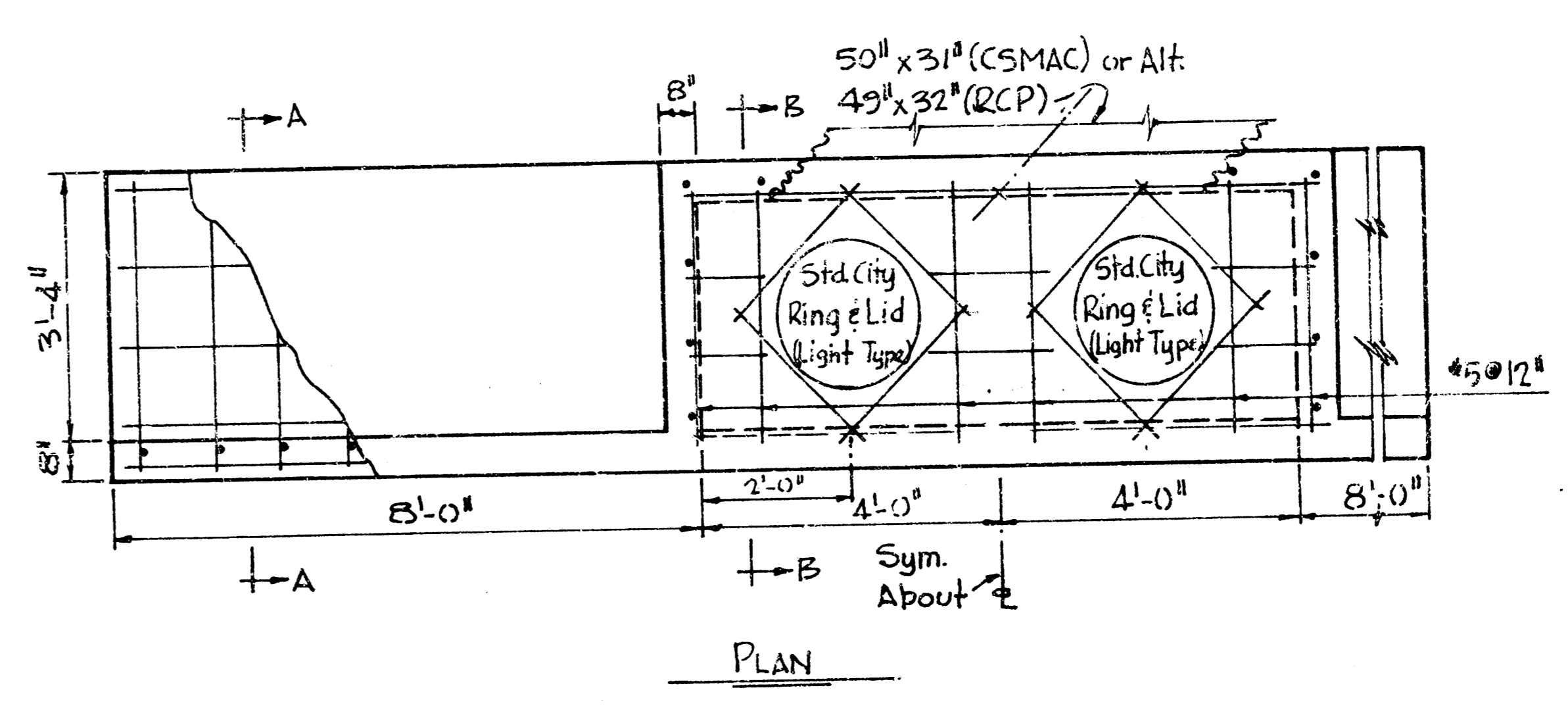
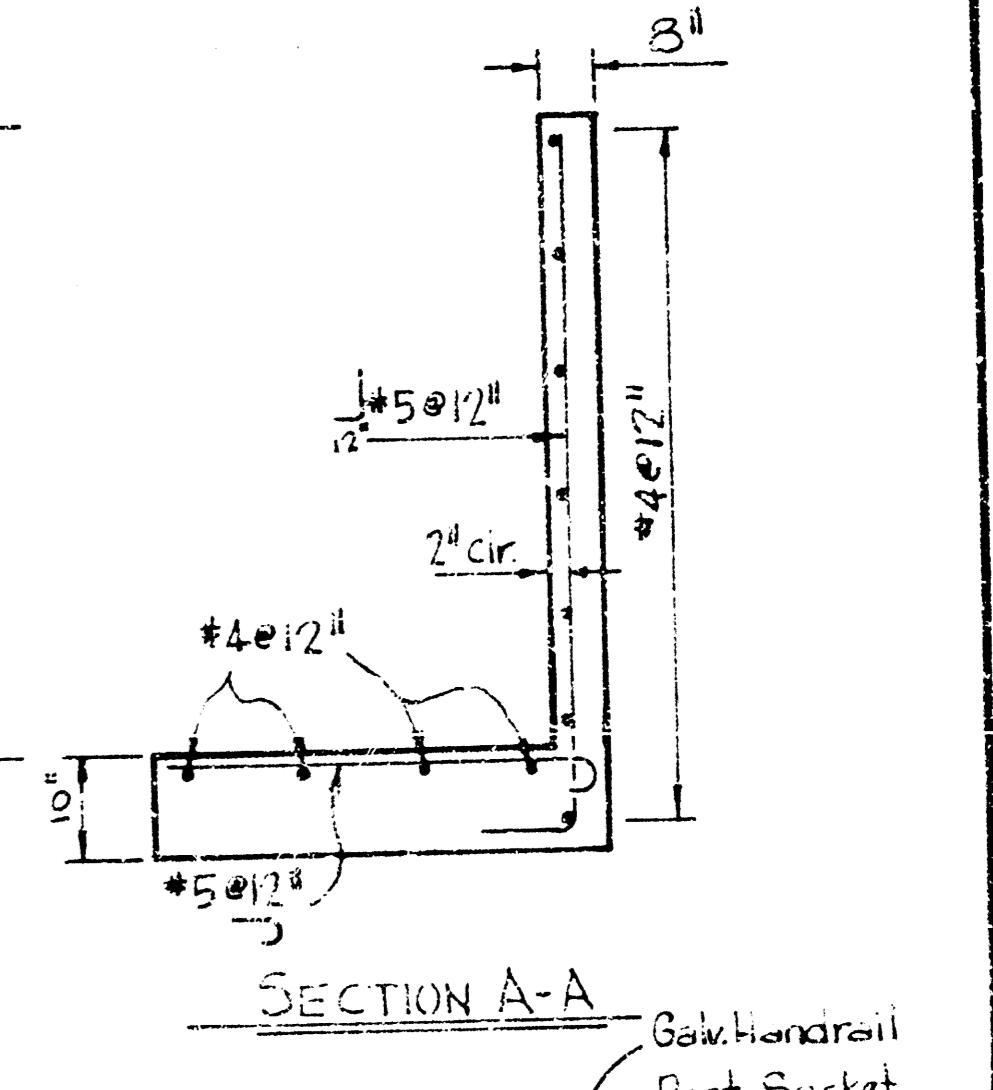
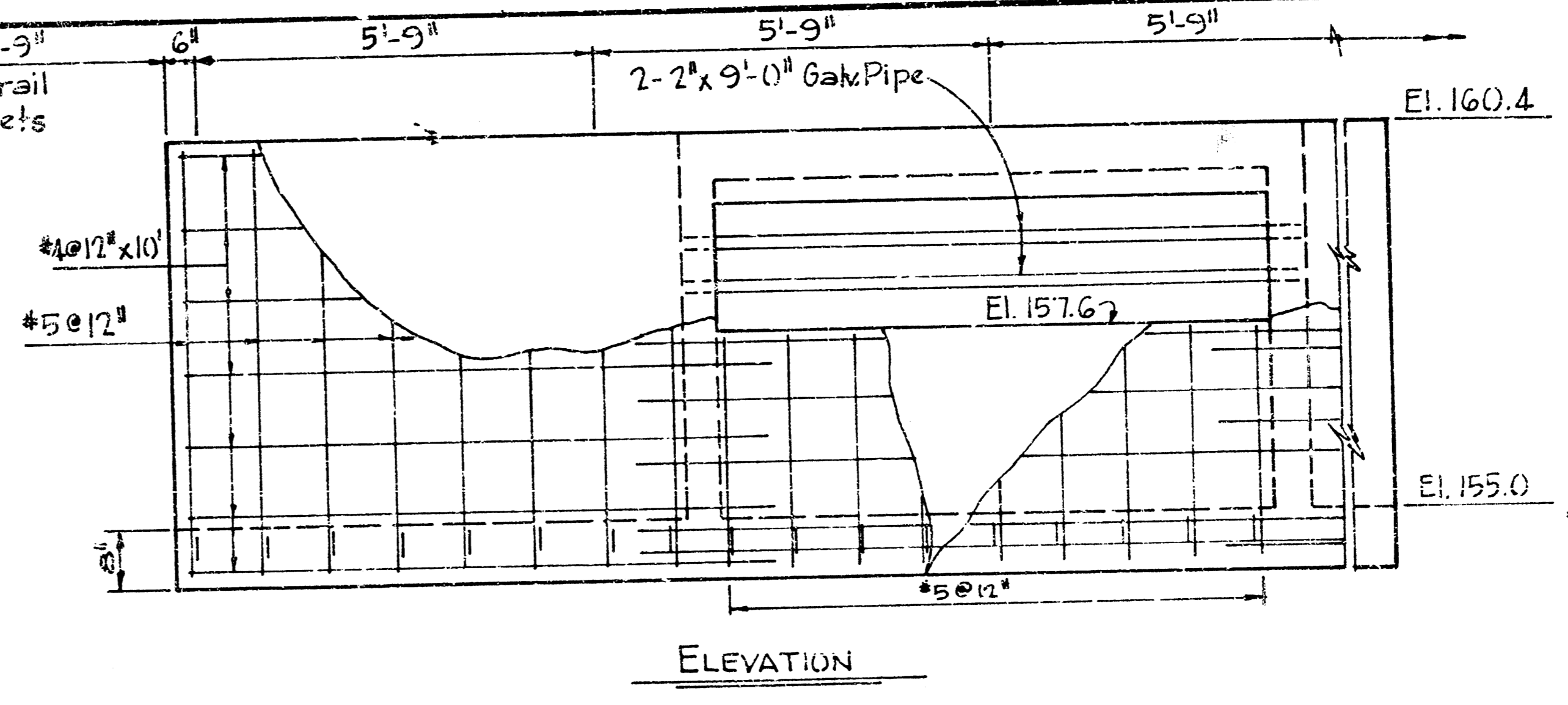
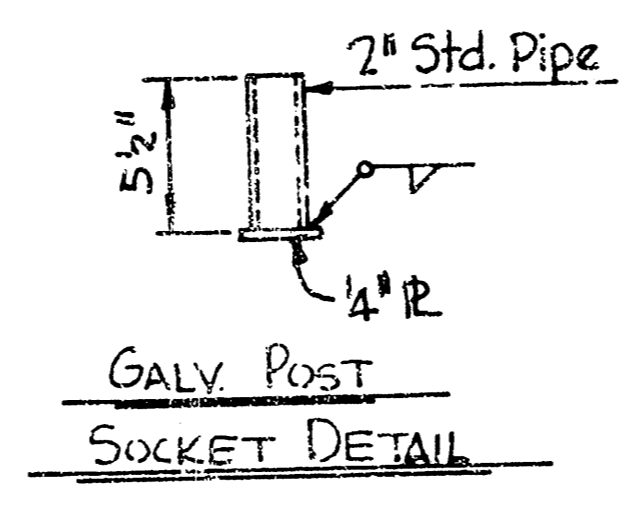
* BM RR Spk in a power pole
El. 158.03



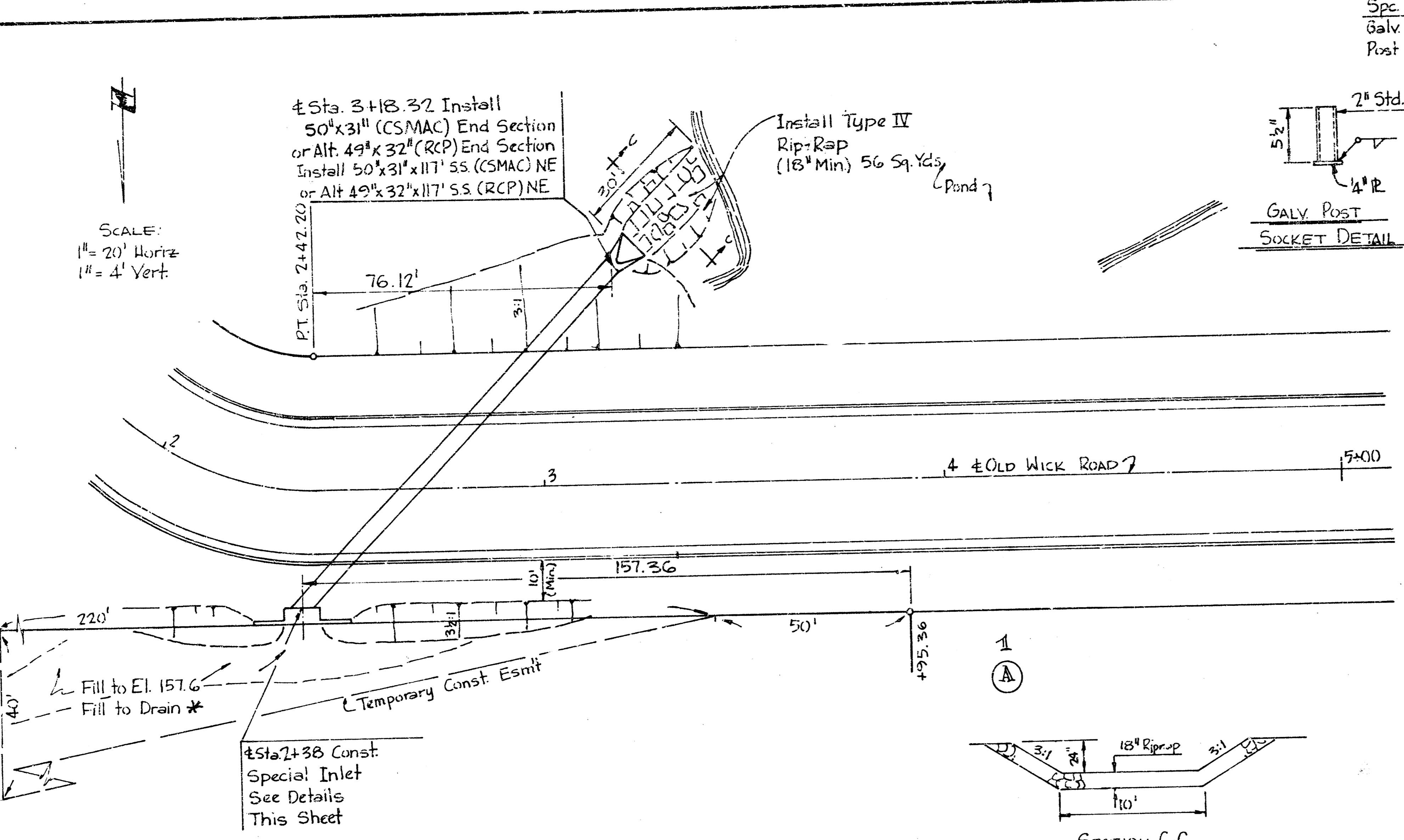
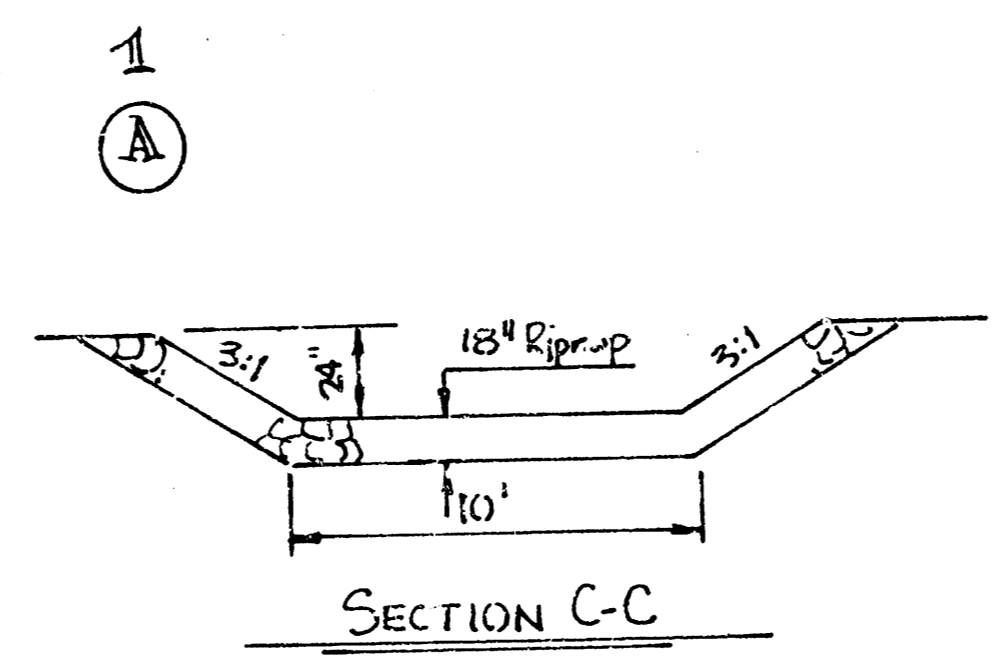
SCALE:
1" = 20' Horiz
1" = 4' Vert

±Sta. 3+18.32 Install
50"x31" (CSMAC) End Section
or Alt. 49"x32" (RCP) End Section
Install 50"x31"x117' SS (CSMAC) NE
or Alt. 49"x32"x117' SS (RCP) NE

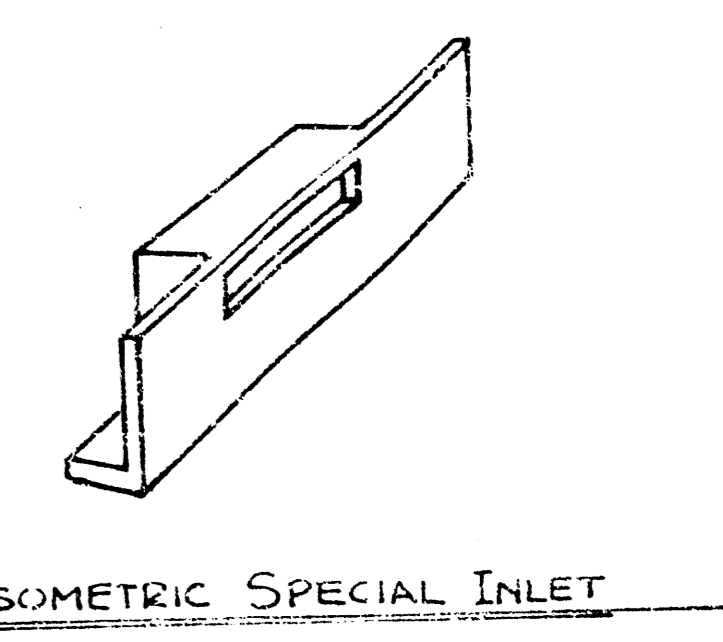
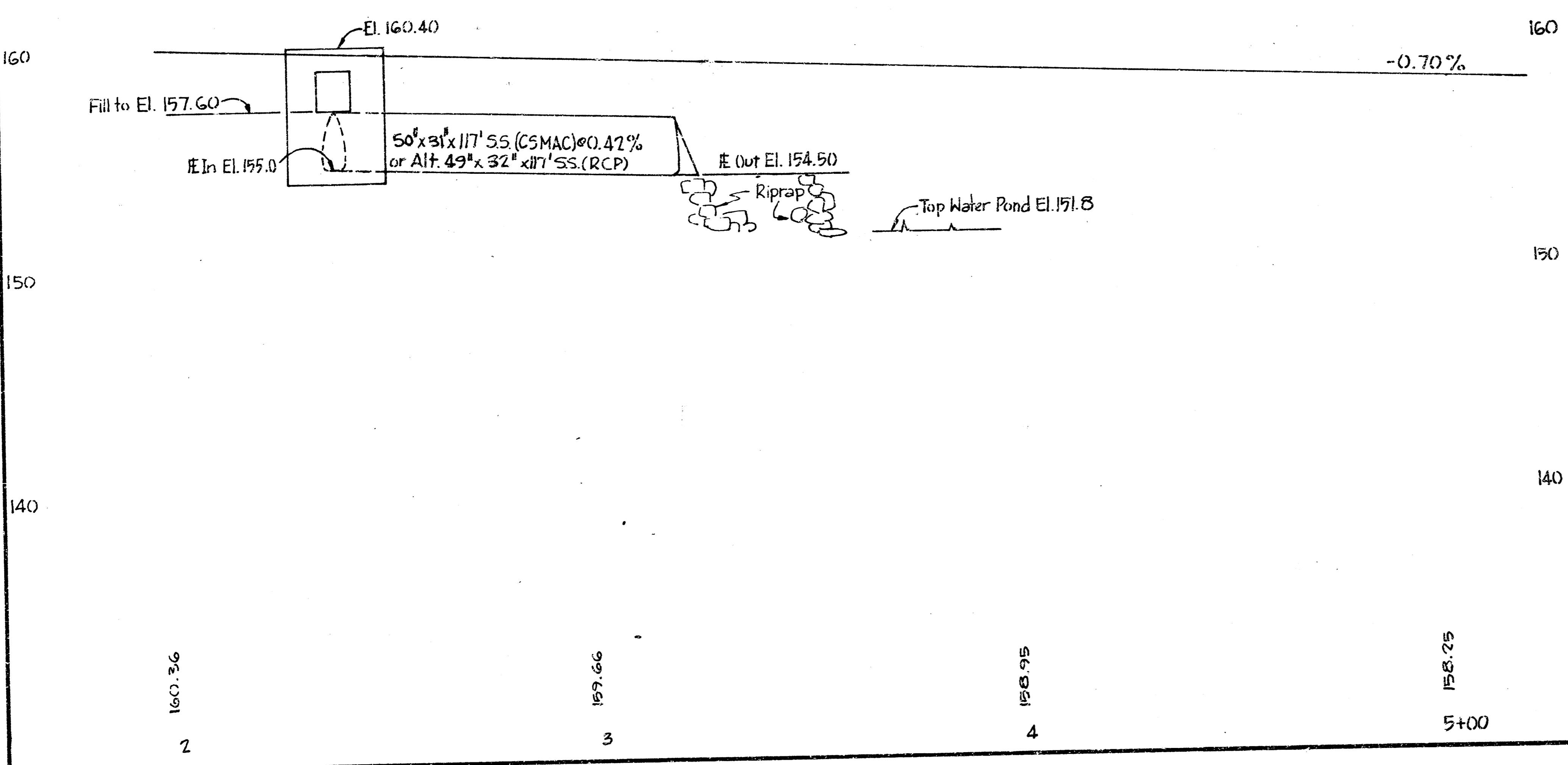
Install Type IV
Rip-Rap
(18" Min) 56 Sq. Yds.
Pond 7



SPECIAL INLET DETAILS



* Contractor to fill with minimum damage to grass beyond required fill.



7-27-81
89-KD-103