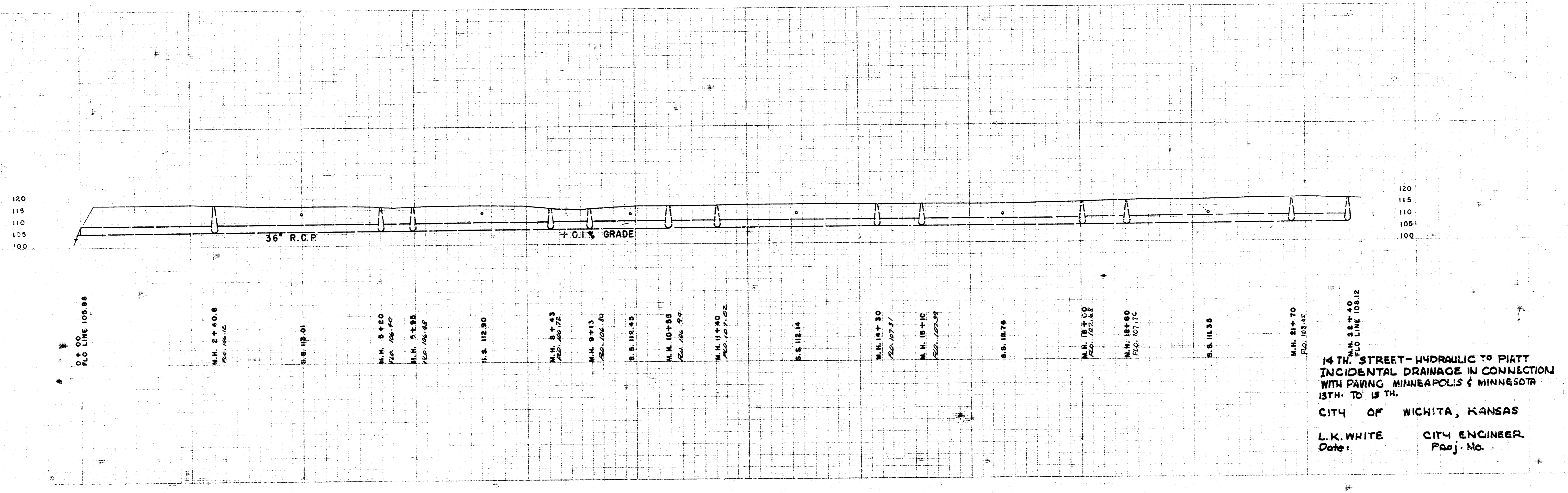


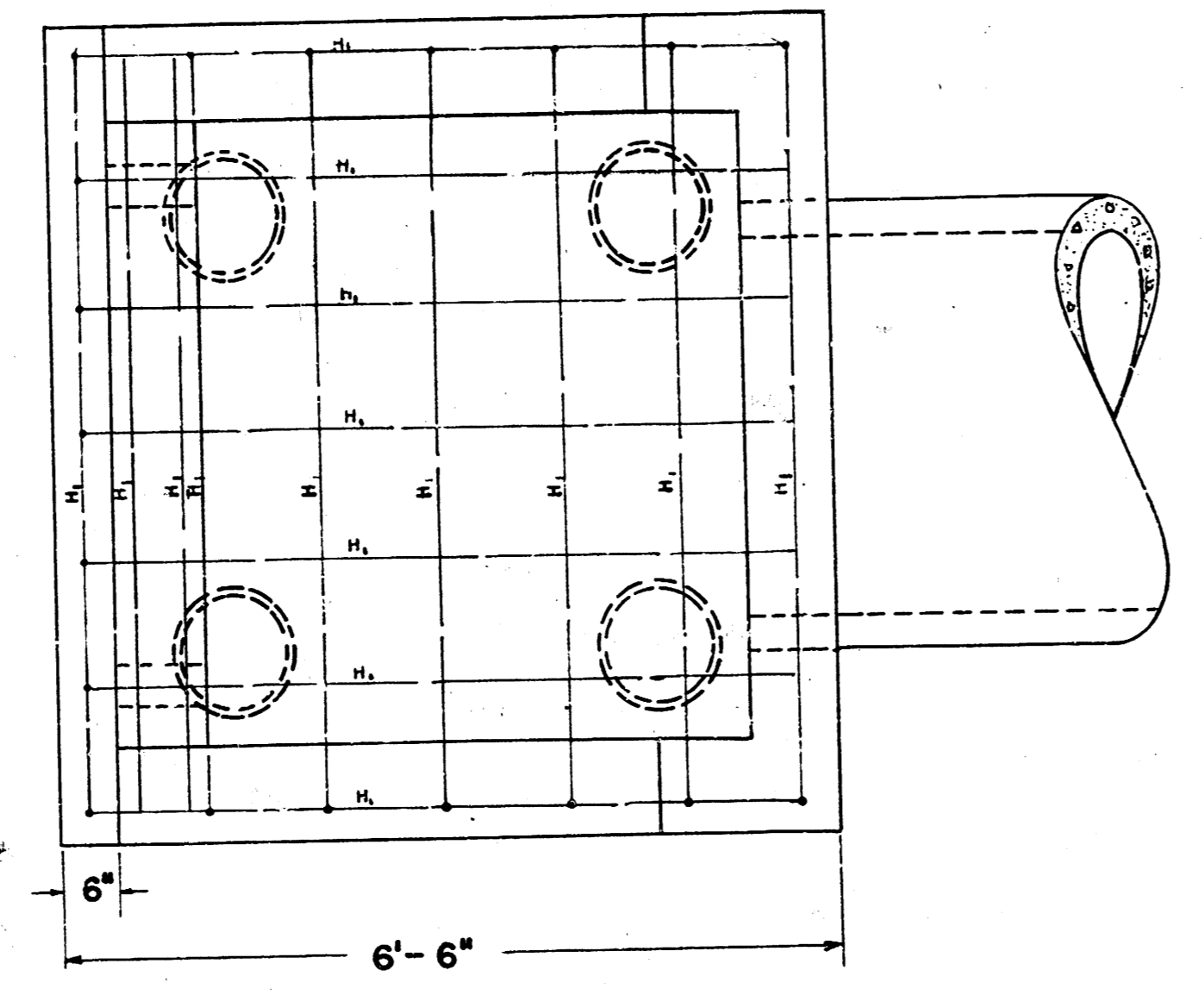
NOTE: ALL CATCH BASIN LEADS TO BE 15" R.C.P.
 SAND FILL AT THE FOLLOWING LOCATIONS:
 BETWEEN STA. 5+30.8 — STA. 5+90.8
 " STA. 8+50.8 — STA. 22+40



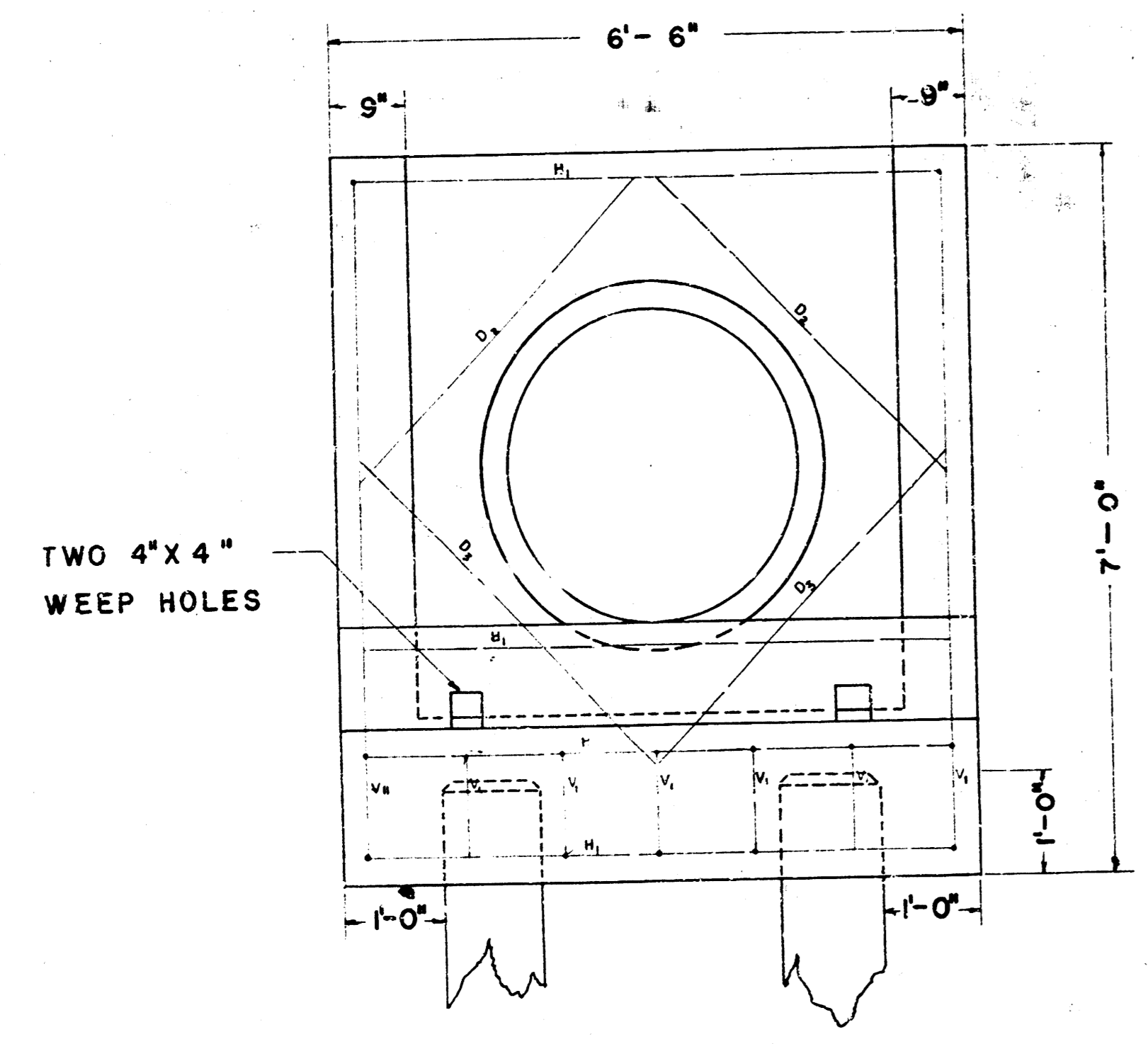
MATERIAL		QUANTITIES	
BAR	NO.	LENGTH	REMARKS
D ₁	2	7'-6"	3/4" ϕ
D ₂	2	4'-2"	"
D ₃	2	4'-3"	"
H ₁	27	6'-0"	"
V ₁	7	1'-0"	"
V ₂	2	2'-9"	"
V ₃	2	3'-9"	"
V ₄	2	4'-9"	"
V ₅	2	5'-9"	"
V ₆	4	6'-6"	3/4" ϕ

REINFORCING STEEL 390 LBS.
 CONCRETE (*) 4.0 C.Y.
 TREATED PILING 4-12" X 20' LG.

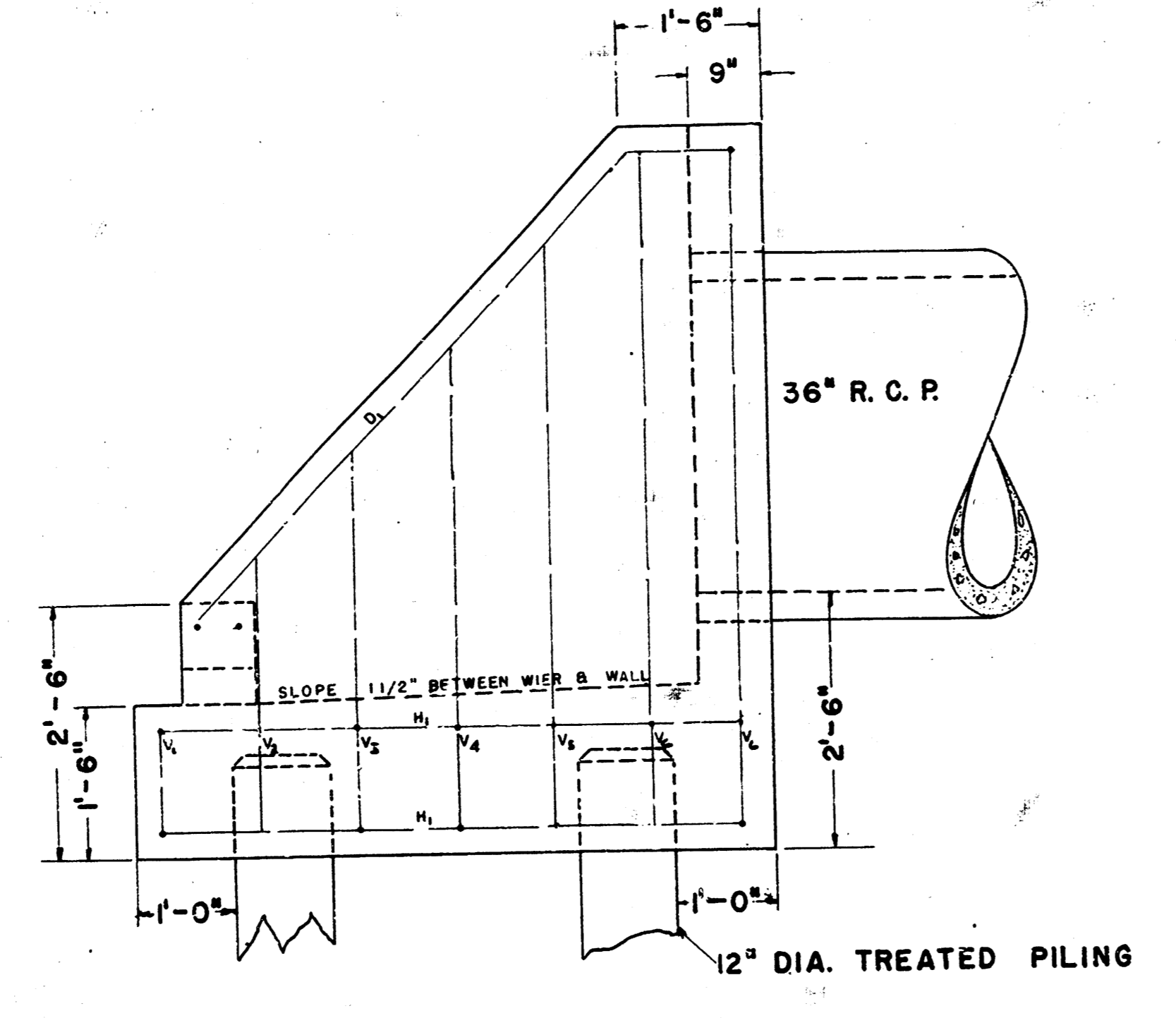
(*) 8 SACK SAND OR 6 SACK PAVING MIX



TOP VIEW



FRONT VIEW



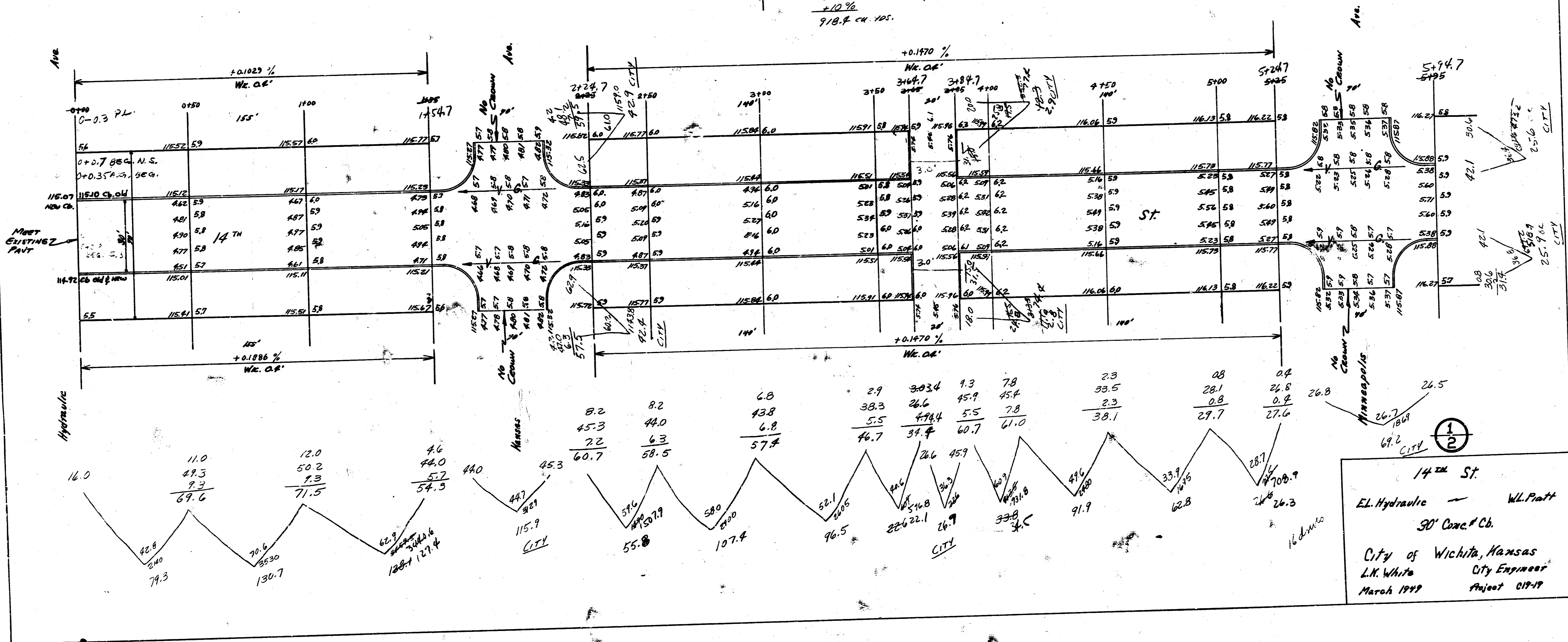
SIDE VIEW

OUTFALL STRUCTURE
 SCALE 3/4" = 1'

B.M. 114.59 Top of THM. Hydraulic & 14TH

PROP.	CITY
74.3	42.9
130.7	42.4
128.1	115.9
55.2	12.3
107.4	11.6
76.5	26.7
22.6	25.9
33.8	25.6
71.7	67.2
62.8	372.5
20.6	107.6
534.9	409.8 cu. yds.
+10%	
518.4	

GRAND TOTAL	
PROP.	CITY
918.4	409.8
1000.0	360.4
1918.4 cu. yds.	769.2 cu. yds.



14th St.
 EL. Hydraulic — W.L. Pratt
 30' Conc. Cb.
 City of Wichita, Kansas
 L.K. White City Engineer
 March 1919 Project 019-19

