

LEGAL DESCRIPTION:

Parcel #1: Block A, Reynolds Addition to Wichita, Sedgewick County Kansas, EXCEPT the north 298 feet thereof.
 Parcel #2: Lot 2, Block A, Reynolds Addition to Wichita, Sedgewick County Kansas, EXCEPT the north 298 feet thereof.

BENCHMARK:

RR Spike in Light Pole 6' West and 37' South of NW Corner of Property.
 Elev= 177.77 (City Datum)

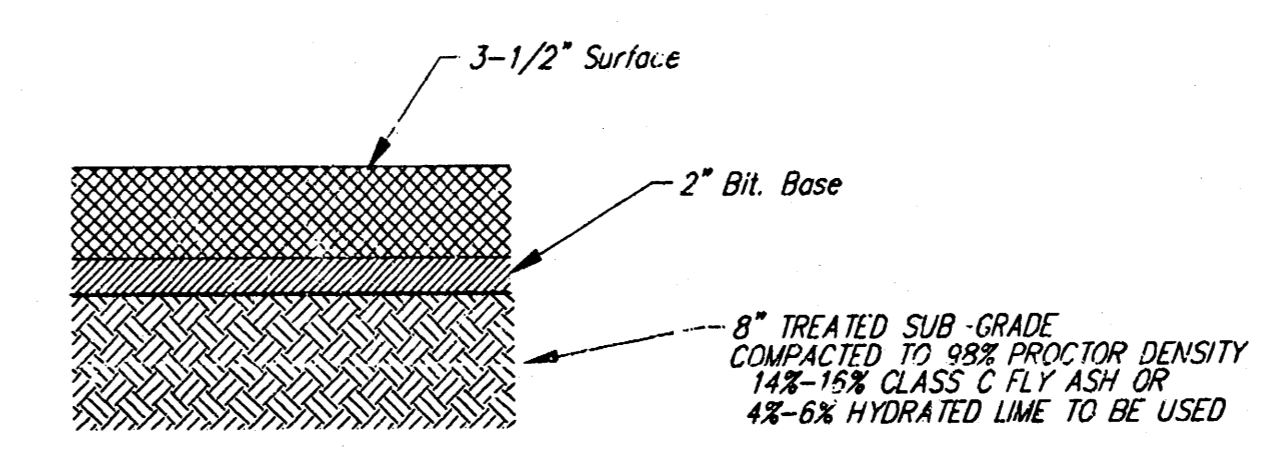
SITE INFORMATION:

PARKING PROVE: 28 STALLS TOTAL, INCLUDING 2 ACCESSIBLE (PLUS 29 STALLS FOR VEHICLE STORAGE W/IN FENCE)
 TOTAL SITE AREA: 73,693.90 SQ.FT. 1.69 ACRES
 IMPERVIOUS AREA: 62,064.72 SQ.FT. 1.42 ACRES 84.02% OF TOTAL SITE

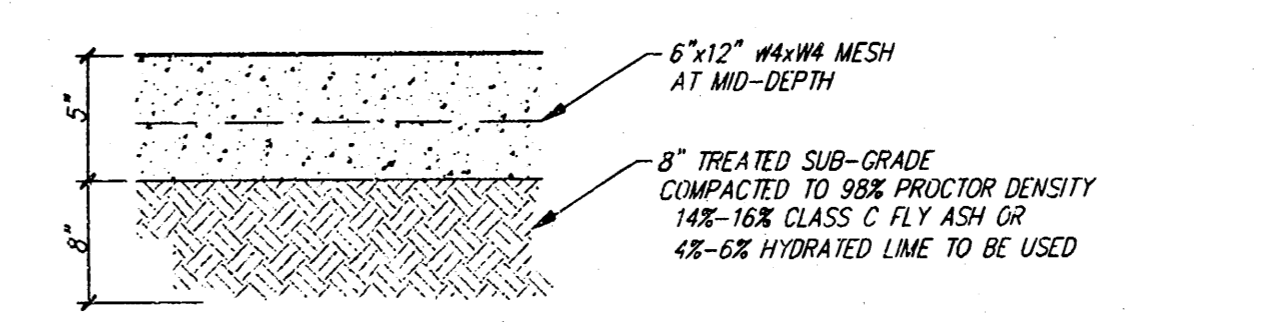
GRADING NOTES:

- Contractor shall be required to provide notice to Kansas One Call at 887-2470 a minimum of two (2) working days prior to any excavation or work adjacent to utilities.
 The Contractor must notify the following in case of an emergency:
 Kansas Gas Service (Gas).....1-888-482-4950
 Aquila Energy (Gas).....1-800-303-0357
 Westar Energy (Electric).....383-8850
 Cox Communications (Cablevision).....262-4270
 SBC (Phone).....268-2245/1-800-286-8313
 City of Wichita Water Dept. (Water).....258-4563/268-4908
 City of Wich Sewer Maint. (San. Sewer).....268-4024/262-6200
 City of Wichita Storm Sewer Maint. (Storm Sewer).....268-4090
 City of Wich. Traffic Maint. (Traffic Control).....268-4034/268-4203
 Conoco Pipeline Co. (Petroleum).....1-800-231-2551
 Williams Pipeline Co. (Petroleum).....529-6600/1-800-324-9596
 Phillips Pipeline Co. (Petroleum).....1-800-766-8230
- Existing utilities and their locations, as shown on the plans, represent the best information obtainable for design. Location information has been obtained from the various utility companies and is either from company record drawings or company provided field locations. The Contractor will be required to work around existing utilities which do not conflict with proposed construction.
- Traffic affected by the construction on this project shall be handled in accordance with the latest edition of the Local Manual on Uniform Traffic Control Devices.
- The Contractor shall verify all utility locations prior to construction of this project.
- All disturbed areas shall be seeded with Kansas Premium Fescue at the rate of 340 lbs. per acre. Fertilizer (13-13-13) shall be applied at the rate of 100 lbs. per acre.
- Signage and striping shall be installed in accordance with Local City Specifications and Codes. Striping shall be painted markings in conformance with the latest edition of the Standard Specifications for State Road and Bridge Construction by the Kansas Department of Transportation.
- Paved Lot to be constructed with Paving as shown. Subgrade to be prepared per Soils Report.

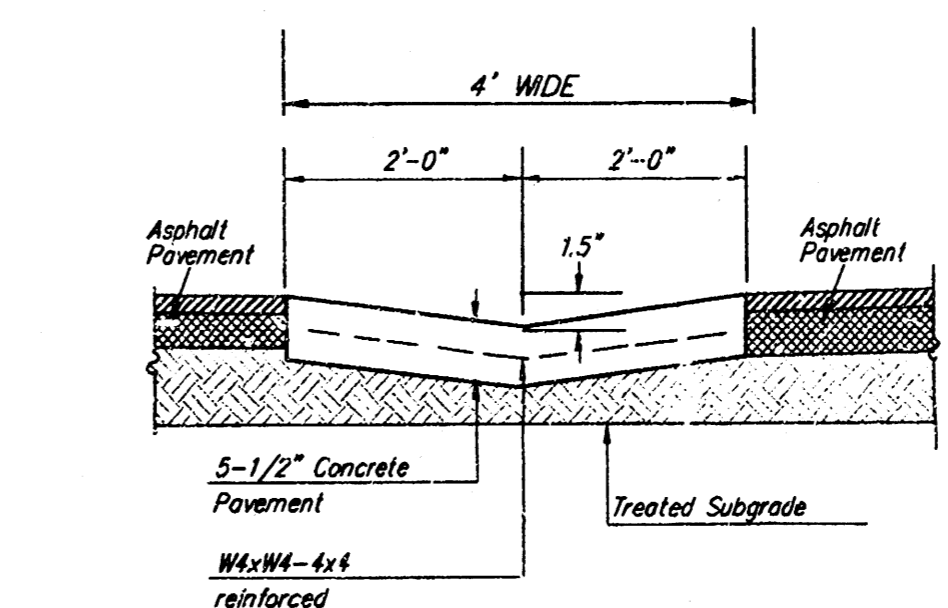
Grade Swale @ 1% As Shown. Center Swale 5' West of Property Line
 Construct 4' Wide Concrete Flume, Per Detail This Sheet.



1 5-1/2" ASPHALT PAVEMENT DETAIL
 NOT TO SCALE FOR THE PARKING LOT AREA



2 5" CONCRETE SECTION
 NOT TO SCALE



3 CONCRETE FLUME DETAIL
 NOT TO SCALE

U.S. Highway 54 (Kellogg Avenue)

FOX COLLISION - EAST WICHITA SITE GRADING
 1" = 20'-0"



90% PROGRESS PRINTS- NOT FOR CONSTRUCTION
 JULY 2, 2004

Baughman Company, P.A.
 315 Ellis St., Wichita, KS 67211 P 316-262-7271 F 316-262-0149
 ENGINEERING | SURVEYING | PLANNING | LANDSCAPE ARCHITECTURE
 F:\Fox Collision Center\Siteplan.dwg

Wilson Darnell Mann P.A.
 105 N. Washington Wichita, Kansas 67202
 ph 316.262.4700 fx 316.262.0002
 www.wdndesign.com

**FOX COLLISION
 EAST WICHITA**
 Zelle and Kellogg Drive
 Wichita, Kansas

PRINTS ISSUED
 June 8, 2004 Owner Review Meeting

WDM No. draw: BDT
 checked: NWB
 Site Grading Plan

SGI.I
 copyright Wilson Darnell Mann P.A.

Scale: 1" = 20'-0" Date: 06/07/2004 Drawing Name: K:\VADG08\VA\0800-10\0800-10.dwg