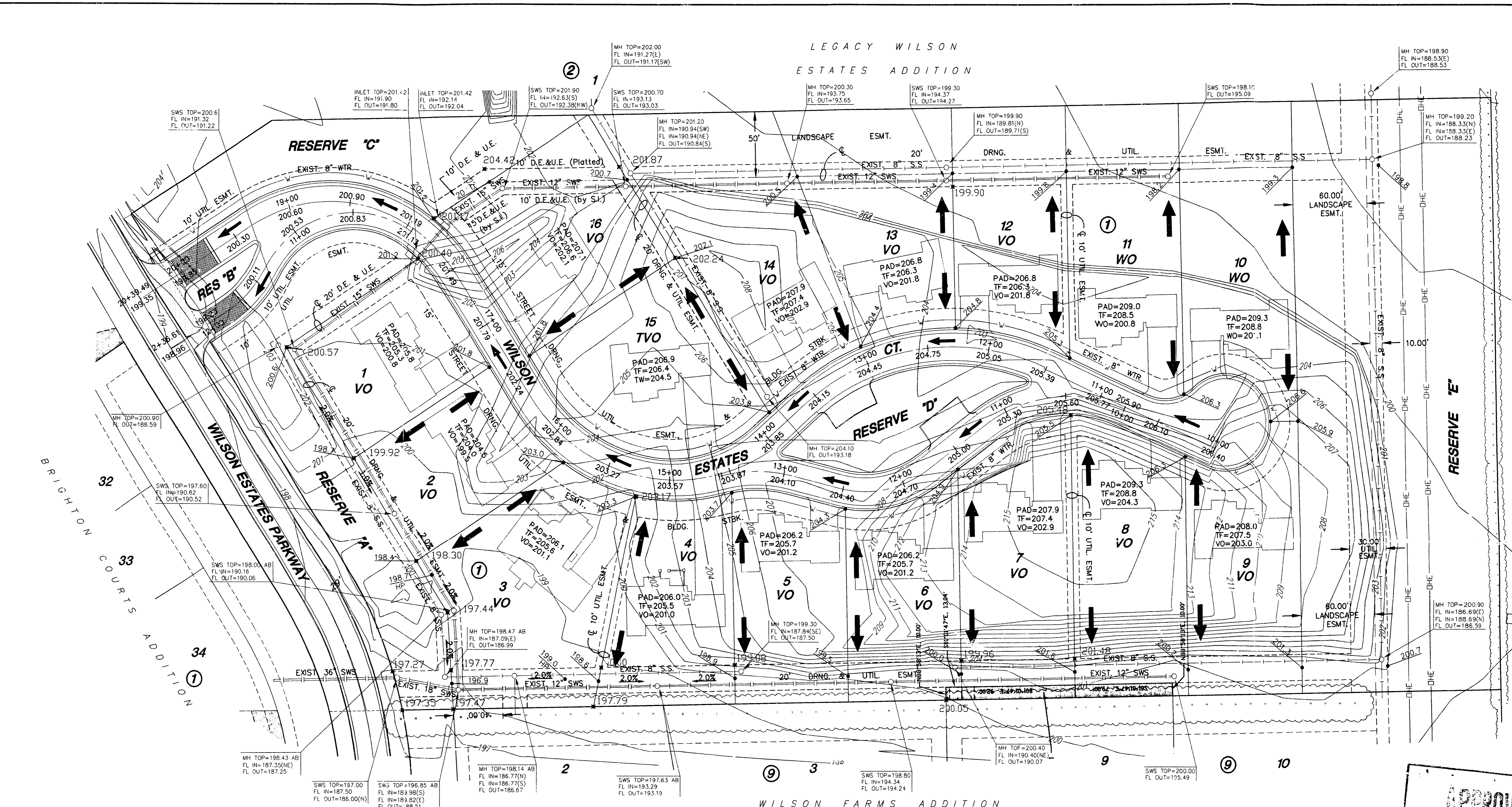


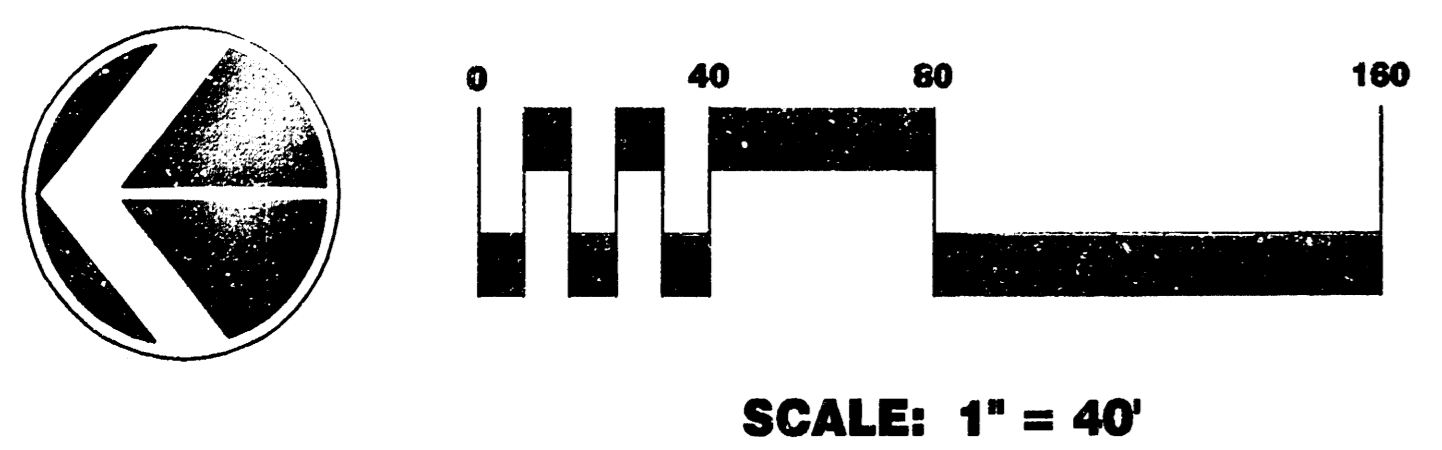
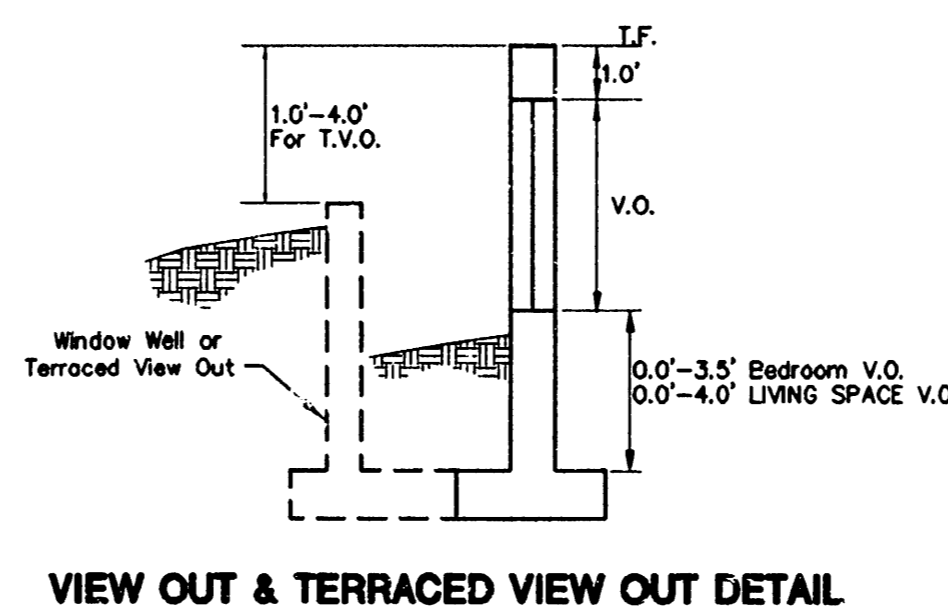
LEGACY WILSON
ESTATES ADDITION



**APPROVED
DRAINAGE PLAN**

LEGEND

- | | |
|--|---|
| <ul style="list-style-type: none"> — CONIFEROUS TREE & DIAMETER — DECIDUOUS TREE & DIAMETER — SIGN — BUSH — EDGE OF TREES — FENCE — SSMH - SANITARY SEWER MANHOLE — GM - GAS METER — P - POLE — HLP - HIGH LINE POLE — G - GATE — W - WALL — LP - LIGHT POLE — FH - FIRE HYDRANT — WV - WATER VALVE — WM - WATER METER — P - POWER POLE AND GUY ANCHOR — TR - TELEPHONE RISER — INLET | <ul style="list-style-type: none"> — STORM SEWER PIPE — WATER LINE — SANITARY SEWER LINE — GAS LINE — TELEPHONE LINE — UNDERGROUND ELECTRIC LINE — OVERHEAD TELEPHONE — OVERHEAD ELECTRIC — UNDERGROUND FIBER OPTIC CABLE — SECTION CORNER — PROPERTY CORNER FOUND — BENCHMARK — WO - WALK OUT — VO - VIEW OUT — PVO - PARTIAL VIEW OUT — PWO - PARTIAL WALK OUT — NVO - NO VIEW OUT |
|--|---|



WILSON FARMS FOURTH ADDITION
PROJECT NAME

VIEW OUT-WALK OUT MAP
SHEET TITLE

KLA	JFL	GJA
DESIGN BY:	DRAWN BY:	CHECKED BY:
MAY 2004	03131	1 / 1
DATE	JOB NO.	SHEET/OF

MKEC ENGINEERING CONSULTANTS
411 N. WEBB ROAD
WICHITA, KS. 67204
316 - 684 - 9600