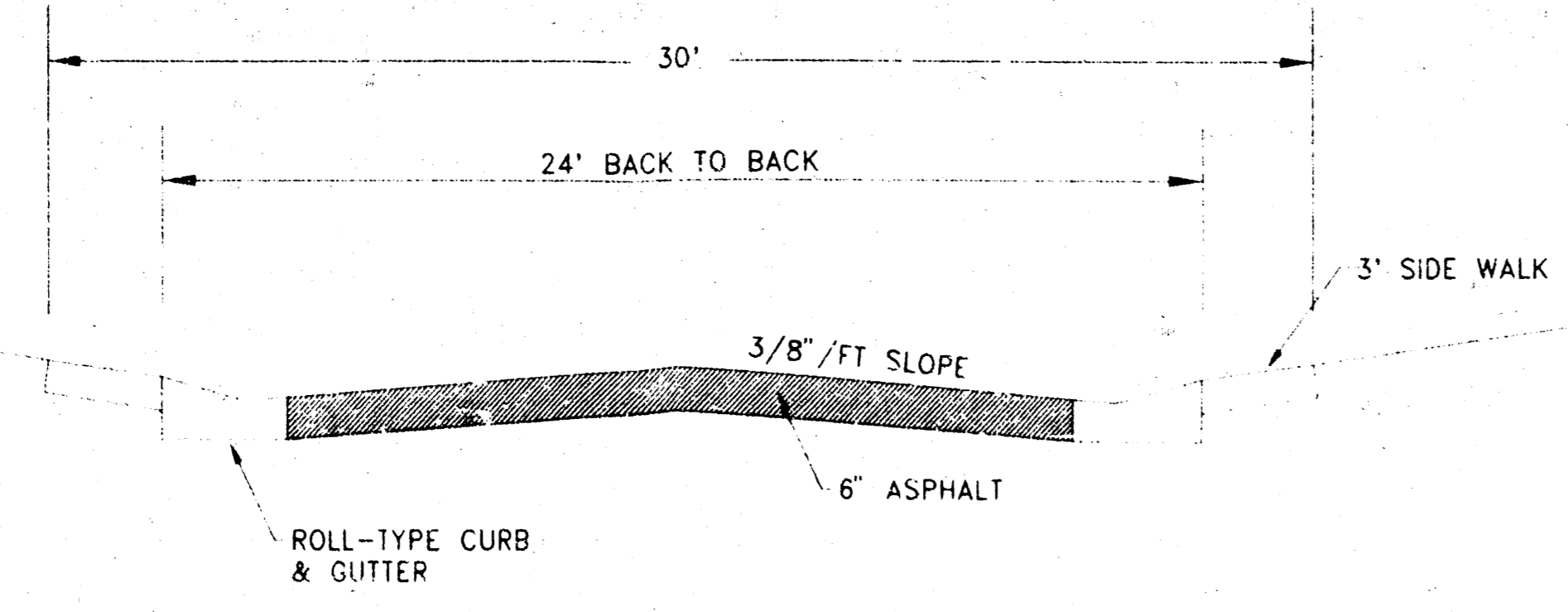
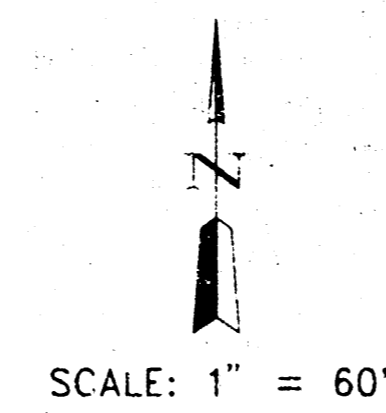


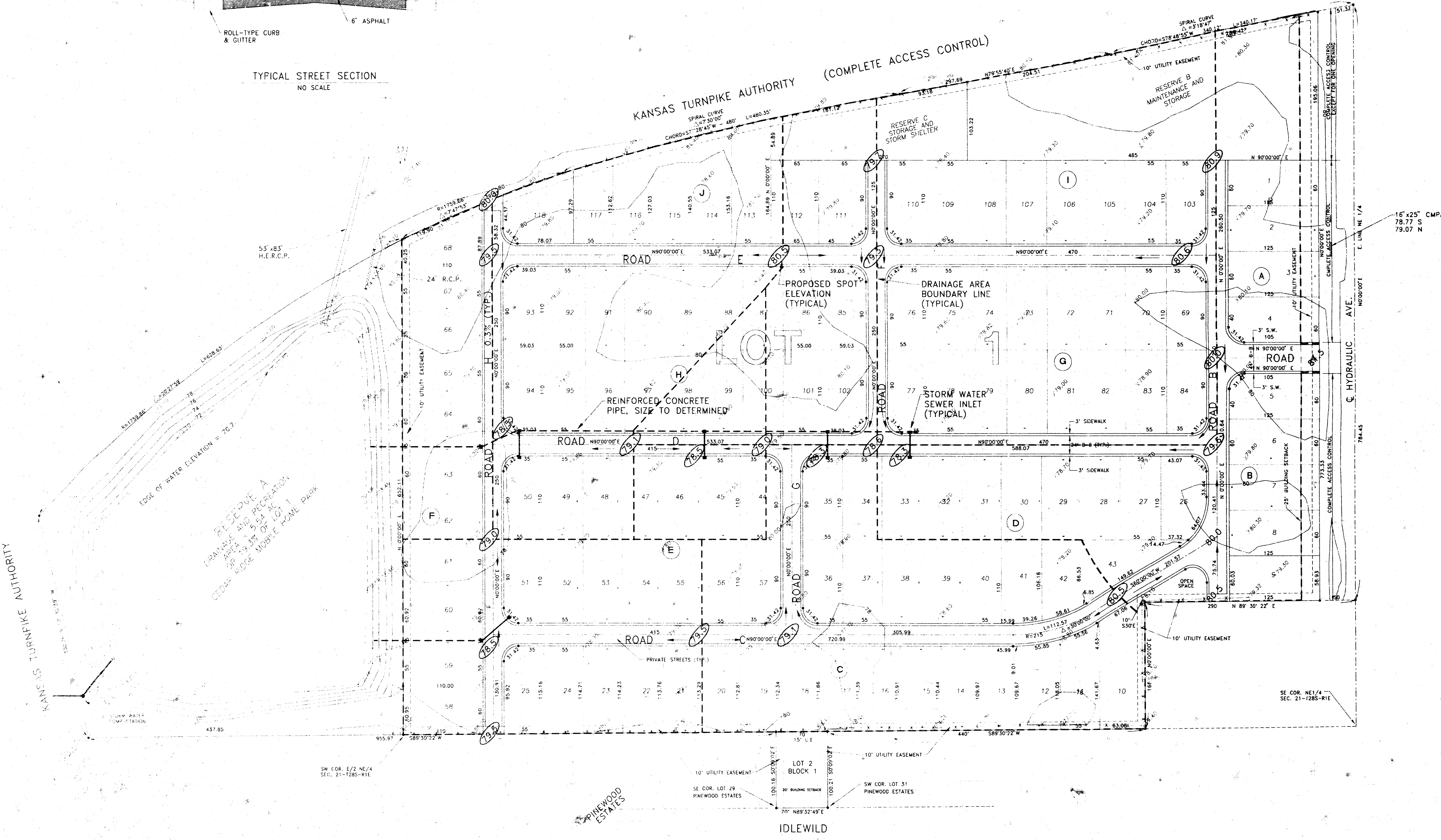
DRAINAGE CONCEPT PLAN CEDAR RIDGE MOBILE HOME PARK WICHITA, SEDGWICK COUNTY, KANSAS

REISS & GOODNESS ENGINEERS
2140 WEST 21st STREET
WICHITA, KANSAS 67203
(316) 872-0213

1997



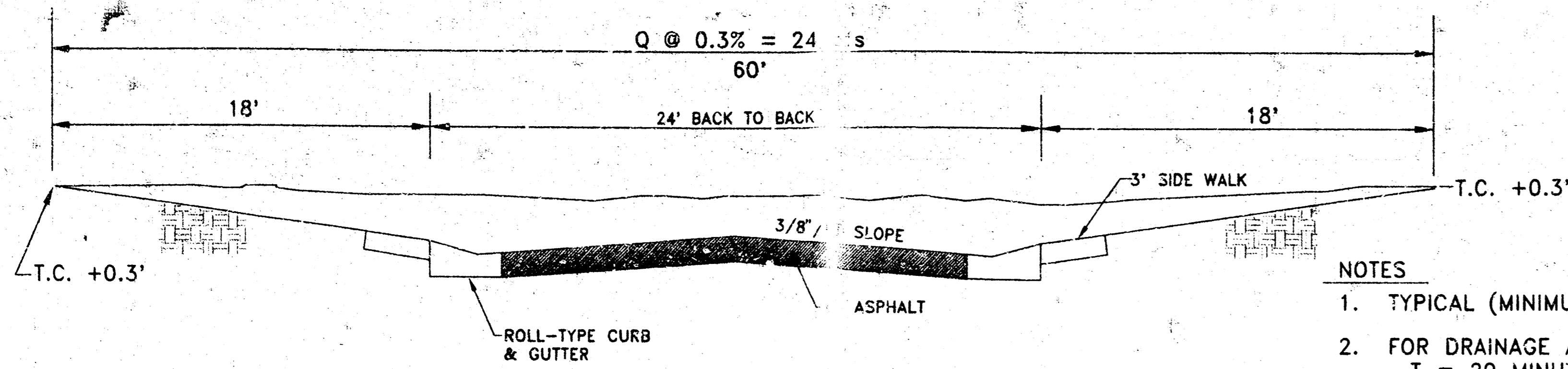
TYPICAL STREET SECTION
NO SCALE



FINAL DRAINAGE CONCEPT PLAN CEDAR RIDGE MOBILE HOME PARK WICHITA, SEDGWICK COUNTY, KANSAS

REISS & GOODNESS ENGINEERS
2100 WEST 21st STREET
WICHITA, KANSAS 67203
(316) 432-0213

1997

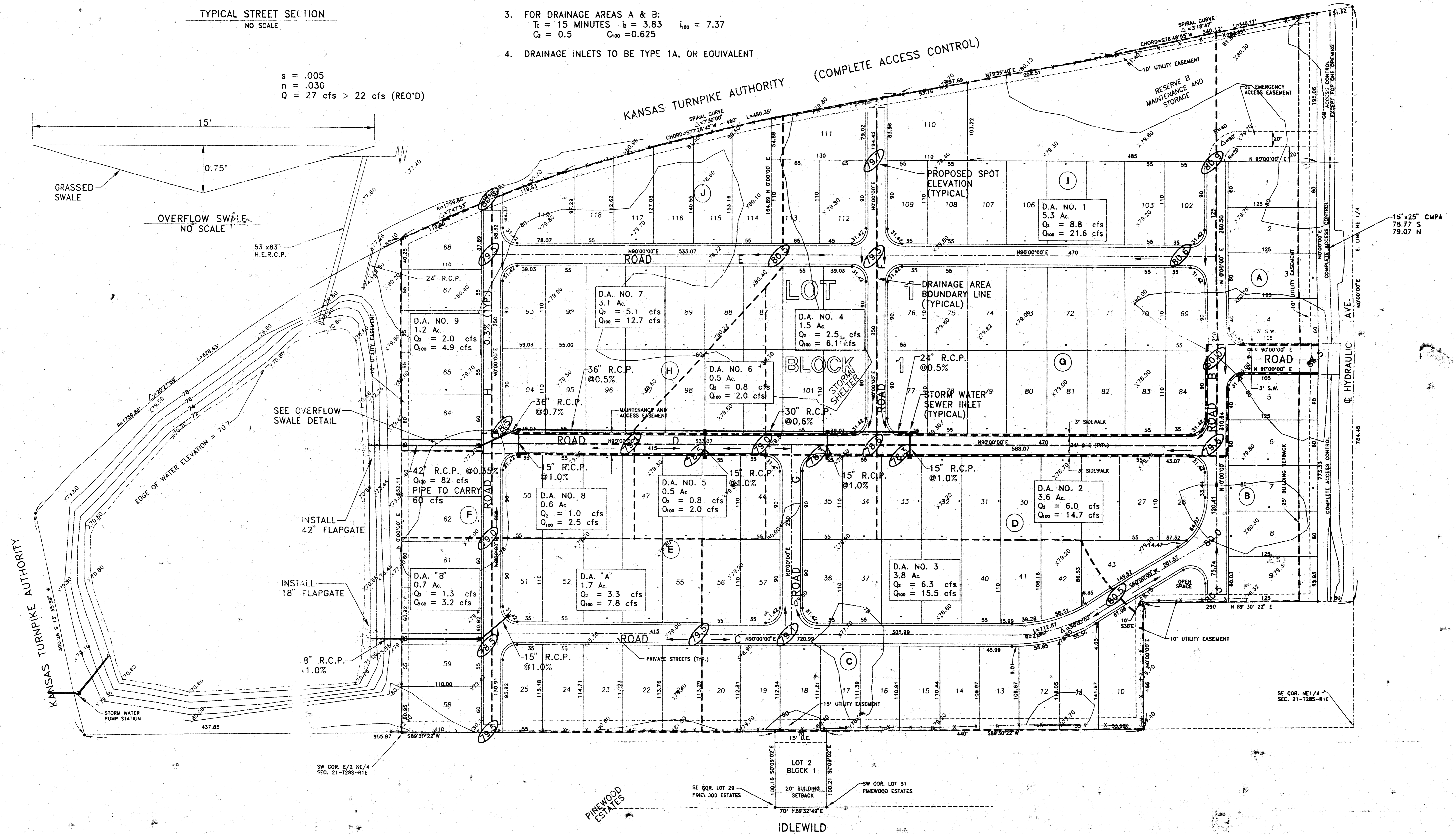


- NOTES**
1. TYPICAL (MINIMUM) SLOPE = 0.3%
 2. FOR DRAINAGE AREAS 1 THROUGH 9:
 $T_c = 20$ MINUTES $k_x = 3.33$ $t_{100} = 6.53$
 $C_x = 0.5$ $C_{100} = 0.625$
 3. FOR DRAINAGE AREAS A & B:
 $T_c = 15$ MINUTES $k_x = 3.83$ $t_{100} = 7.37$
 $C_x = 0.5$ $C_{100} = 0.625$
 4. DRAINAGE INLETS TO BE TYPE 1A, OR EQUIVALENT

SCALE: 1" = 60'

TYPICAL STREET SECTION
NO SCALE

$s = .005$
 $n = .030$
 $Q = 27$ cfs > 22 cfs (REQ'D)

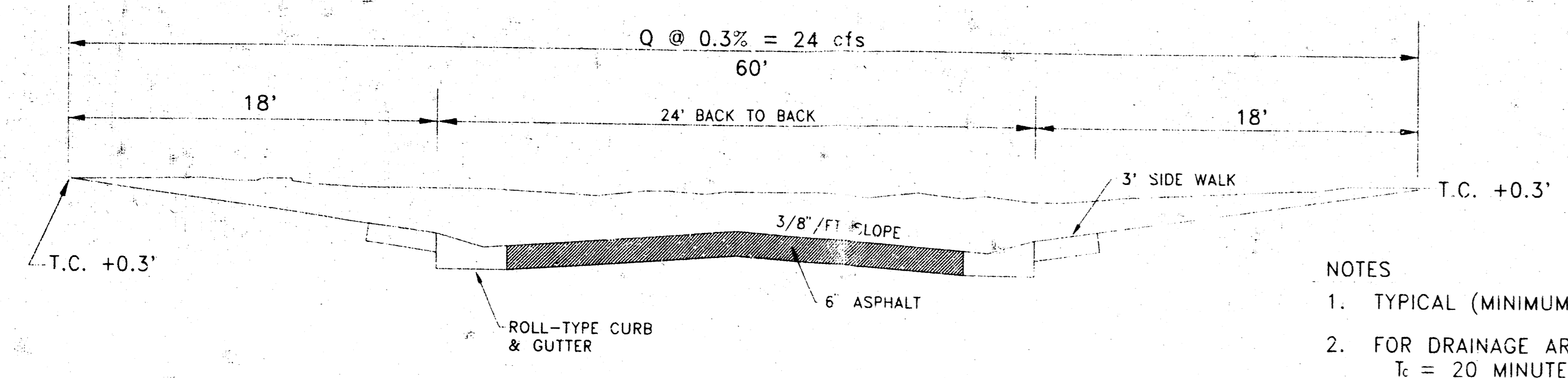


FINAL DRAINAGE CONCEPT PLAN CEDAR RIDGE MOBILE HOME PARK WICHITA, SEDGWICK COUNTY, KANSAS

REISS & GOODNESS ENGINEERS
2160 WEST 21st STREET
WICHITA, KANSAS 67203
(316) 835-0713

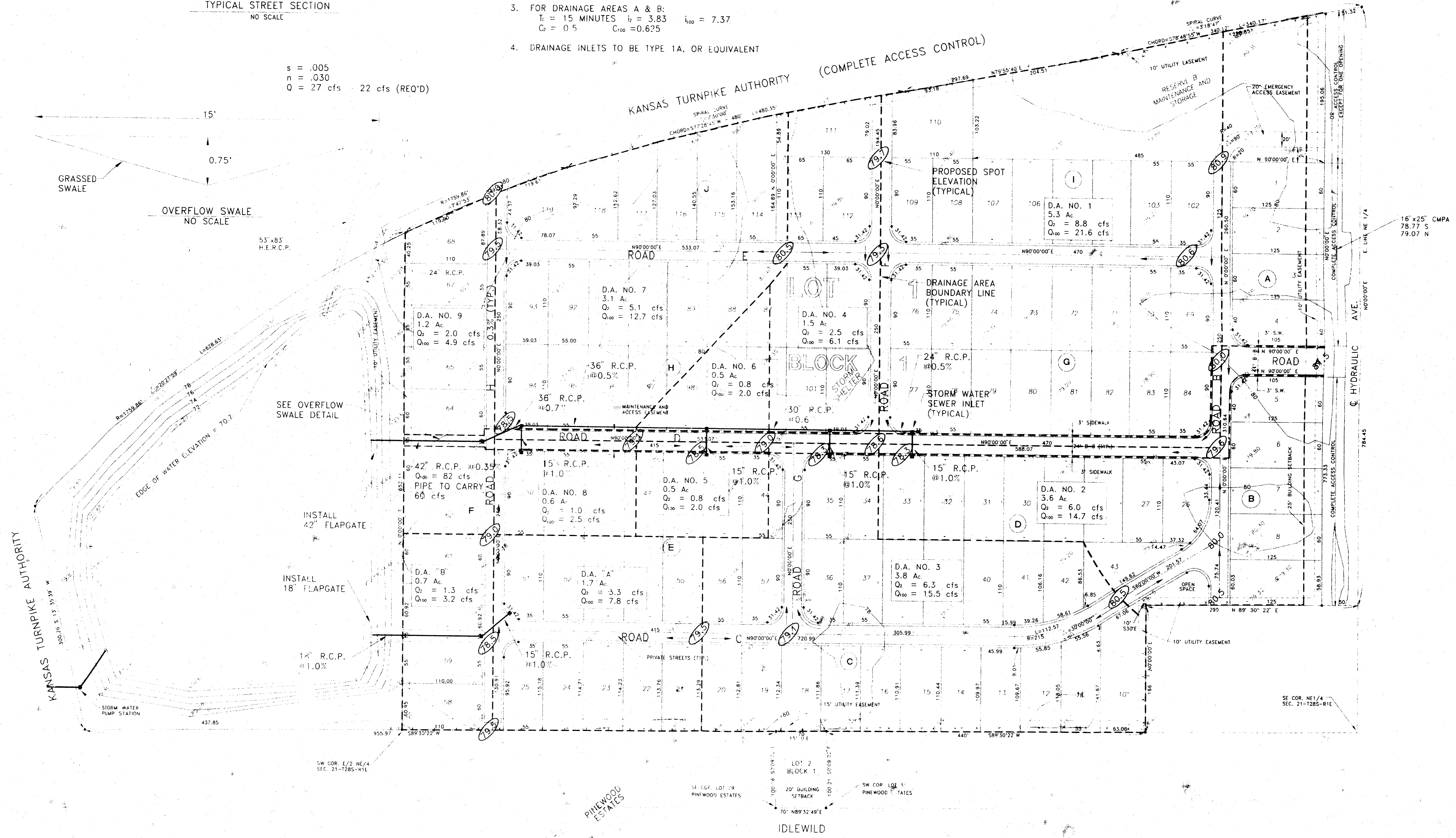
1997

SCALE: 1" = 60'



- NOTES
1. TYPICAL (MINIMUM) SLOPE = 0.3%
 2. FOR DRAINAGE AREAS 1 THROUGH 9:
 $T_c = 20$ MINUTES $t_b = 3.35$ $t_{100} = 6.53$
 $C_s = 0.5$ $C_{100} = 0.625$
 3. FOR DRAINAGE AREAS A & B:
 $T_c = 15$ MINUTES $t_b = 3.83$ $t_{100} = 7.37$
 $C_s = 0.5$ $C_{100} = 0.625$
 4. DRAINAGE INLETS TO BE TYPE 1A, OR EQUIVALENT

$s = .005$
 $n = .030$
 $Q = 27$ cfs 22 cfs (REQ'D)



16' x 25' CMPA
78.77 S
79.07 N

SE COR. NE1/4
SEC. 21-1285-R1E

PINEWOOD ESTATES

IDLEWILD