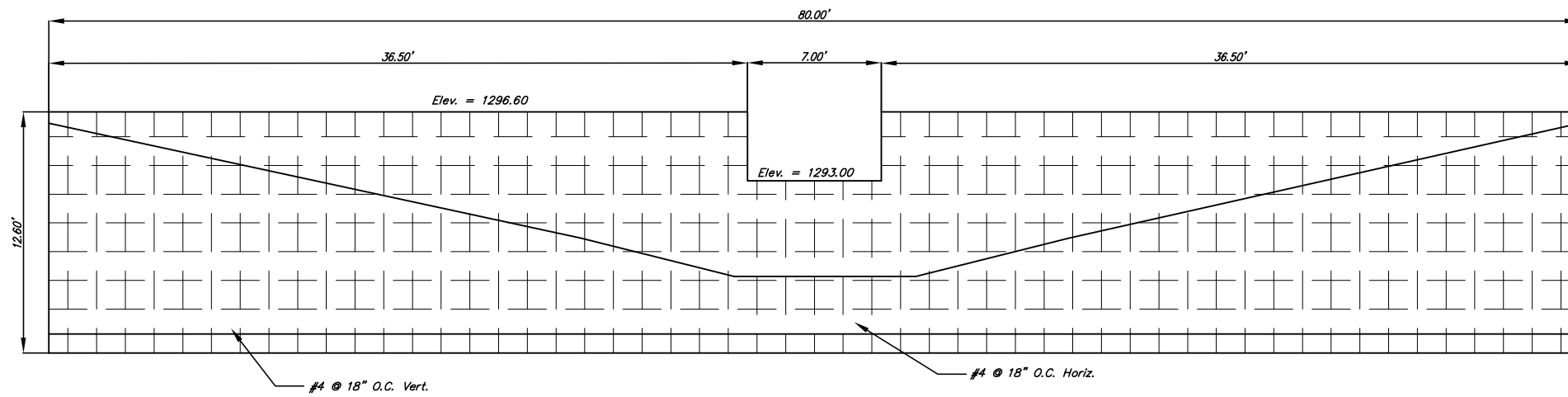
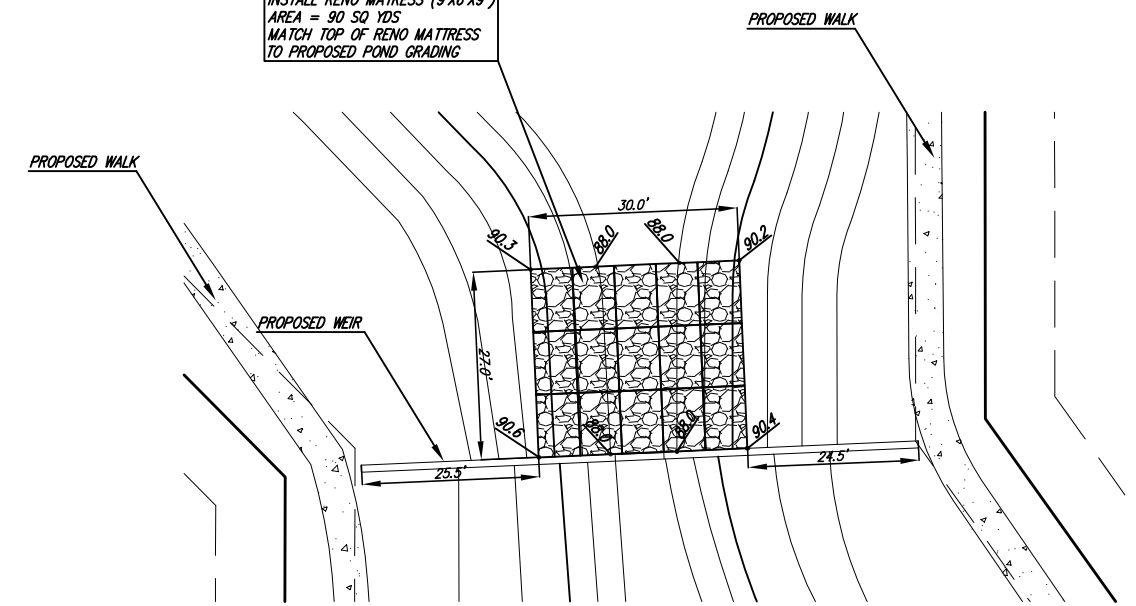


WEIR WALL DETAIL

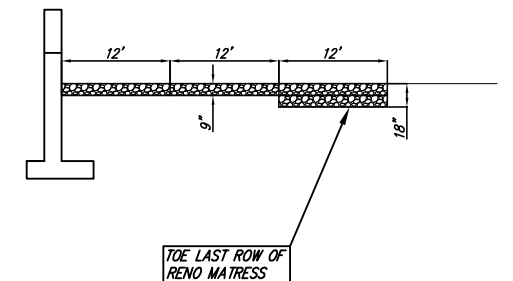


INSTALL RENO MATTRESS (9'X6'X9")
 AREA = 90 SQ YDS
 MATCH TOP OF RENO MATTRESS
 TO PROPOSED POND GRADING



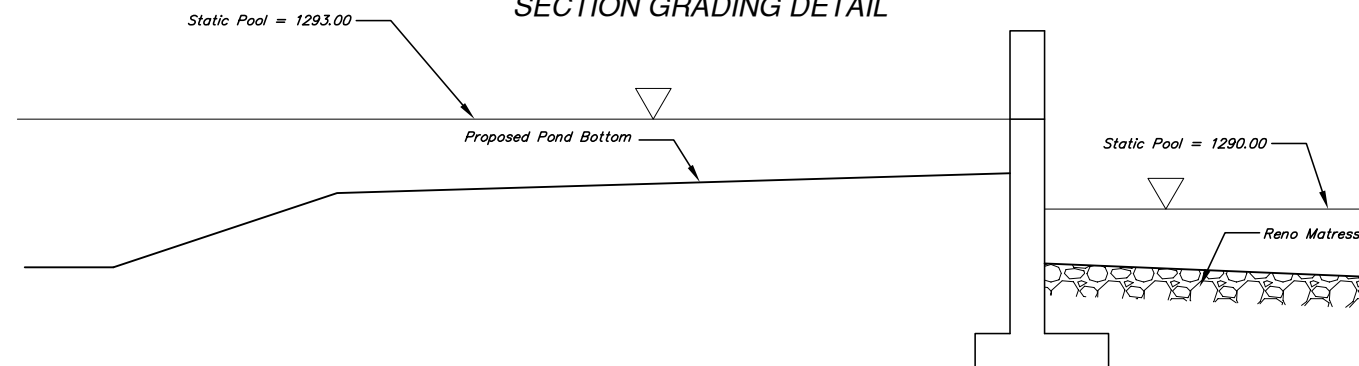
RENO MATTRESS DETAIL

**NOT TO SCALE

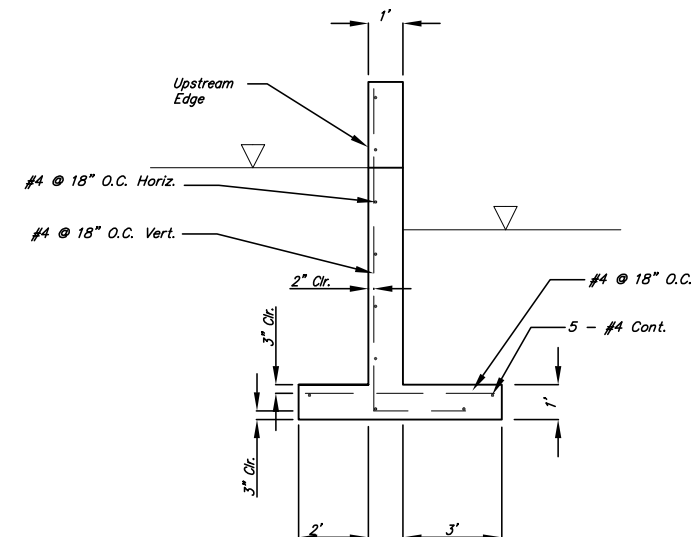


RENO MATTRESS SECTION VIEW

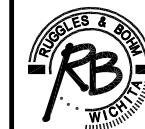
SECTION GRADING DETAIL



SECTION VIEW



Whispering Lakes Addition
 WEIR DETAILS
 WICHITA, KANSAS



Ruggles & Bohm, P.A.
 Engineering, Surveying, Land Planning

924 North Main (316) 284-8008
 Wichita, Kansas 67203 (316) 284-4821 fax
 www.rbkansas.com E-mail: info@rbkansas.com

DRAWING FILE pond [weir wall] PROJECT NUMBER 468-84143 DATE Feb. 1, 2006

DESIGN RLS
 DRAWN RLS
 REVIEW
 UTILITY
 SHEET 9 OF 27