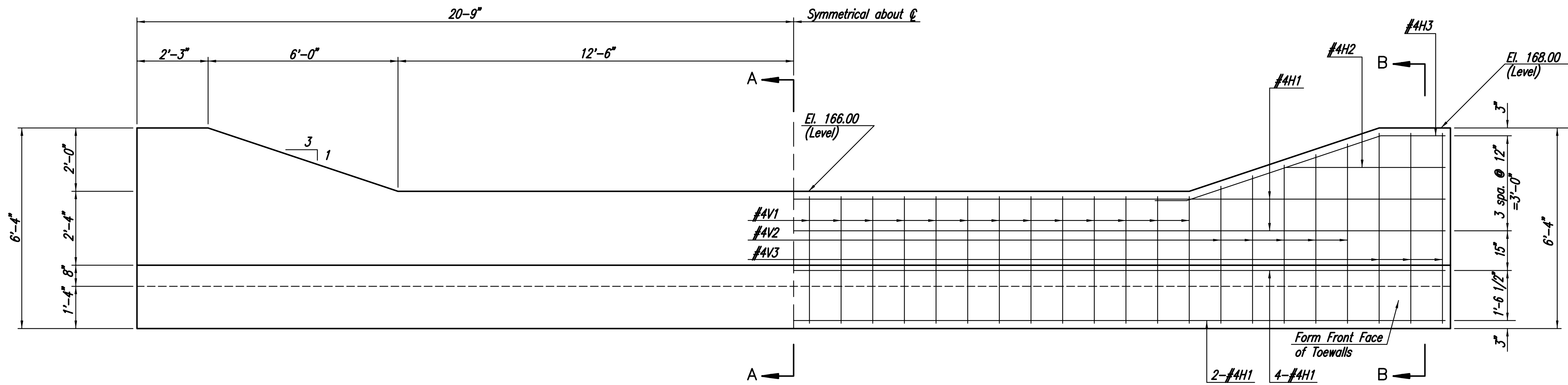
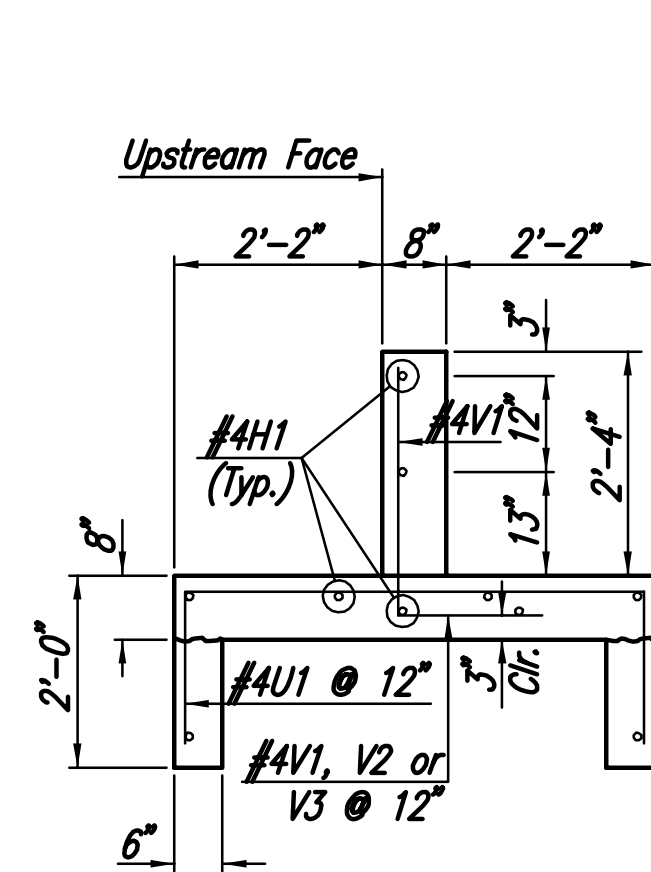


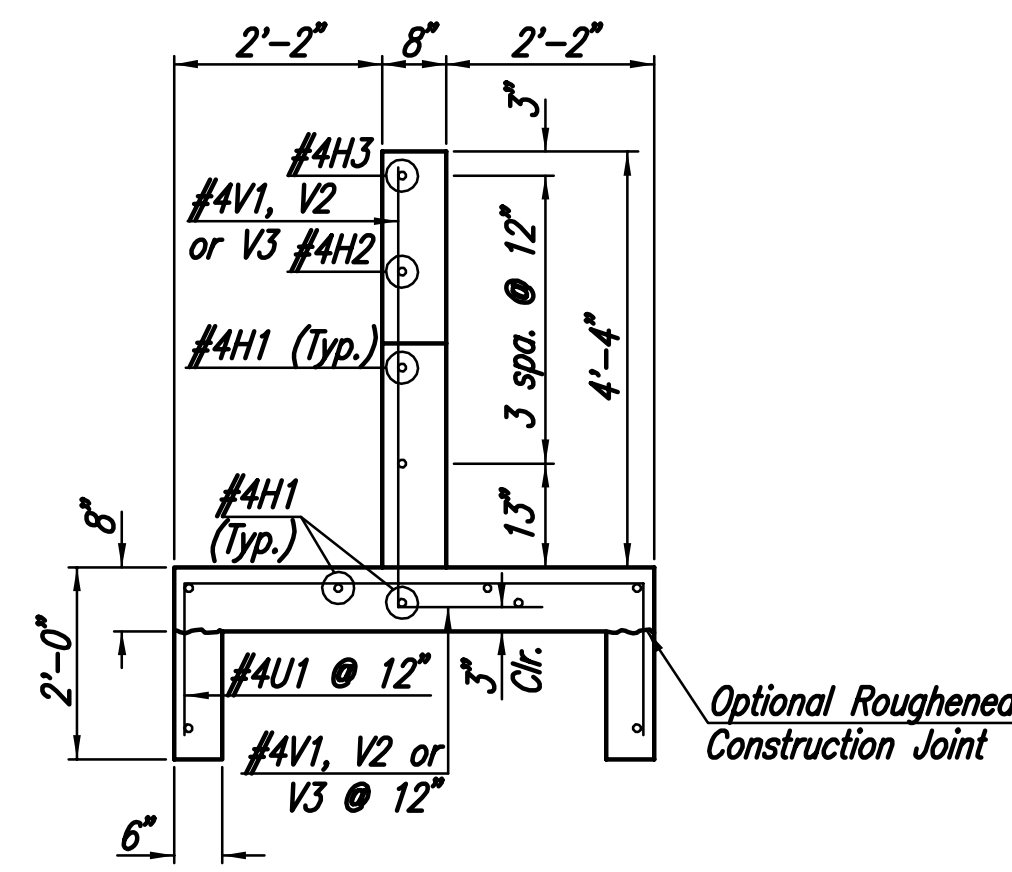
PLAN



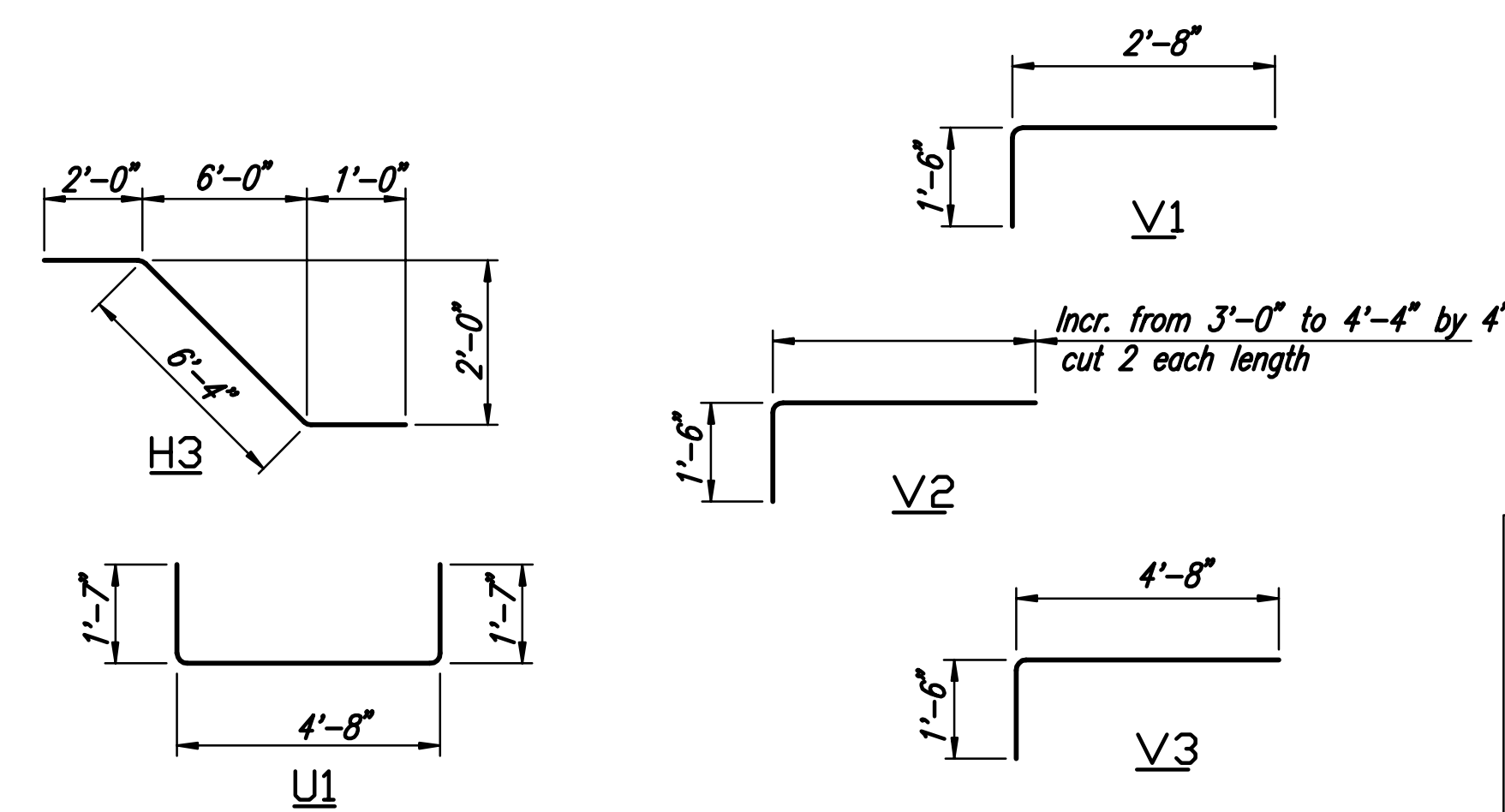
ELEVATION



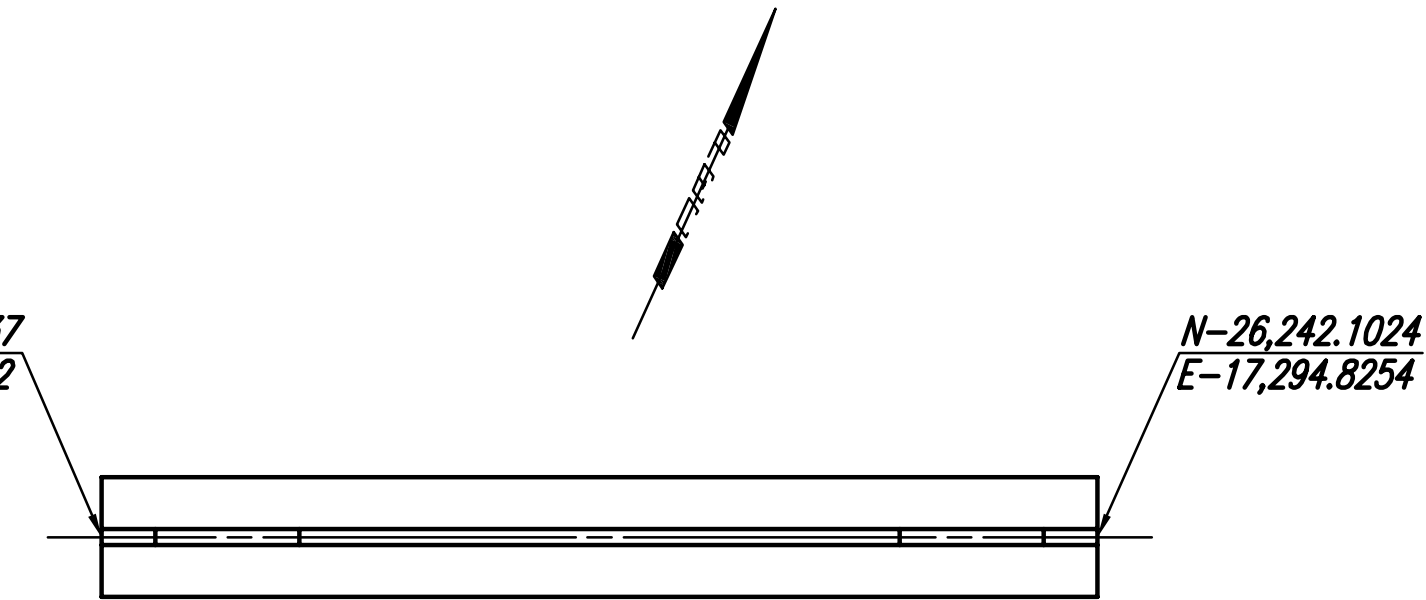
SECTION A-A



SECTION B-B



BENDING DIAGRAMS
Dimensions are out to out of bars



PLAN

BILL OF MATERIALS						
REINFORCING STEEL						
Straight Bars			Bent Bars *			
Mark	No.	Size	Length	Mark	No.	Size
H1	10	#4	41'-3"	V1	26	#4
H2	2	#4	5'-6"	V2	10	#4
				V3	6	#4
				H3	2	#4
				U1	42	#4

* See Bending Diagrams

SUMMARY OF QUANTITIES		
ITEM	QUANTITY	UNIT
Concrete	10.1	C.Y.
Reinforcing Steel	647	Lbs.

GENERAL NOTES

UNIT STRESSES:
CONCRETE: $F_c=4,000$ P.S.I., $F_y=60,000$ P.S.I.
 $F_c=1,600$ P.S.I., $F_s=24,000$ P.S.I.

CONCRETE: Concrete shall have a minimum 28 day compressive strength of 4,000 P.S.I. Bevel all exposed edges with a 3/4" triangular moulding, unless otherwise noted.

REINFORCING STEEL: All reinforcing steel shall conform to ASTM Designation A615 Grade 60 and shall be epoxy-coated. All dimensions relative to reinforcing are to centerline of bars unless otherwise noted. Bar bending and dimensions shall be as shown and noted on the bar bending diagrams. The concrete cover for all reinforcing shall be a minimum of 2" unless otherwise noted.

JOINTS: Construction joints shall only be formed at locations shown or as approved by the Engineer.

BASIS OF PAYMENT

The "R.C. Weir" shall be paid as per each which shall include all labor, material, excavation, concrete, reinforcing steel and all other incidentals necessary to complete the work. Quantities shown are for information only.

Saved: 12-14-2005 7:40:06 AM by BJS
 Plot Scale: 1/2" = 1'-0" (1/2" = 1'-0")
 J:\SEN1001\2004\04485\2005-12-14 to City\DWG\20-REINF CONCR WEIR DTL

No.	Revision	By	Date
FONTANA ADDITION-PHASE 1 STORM WATER DRAIN NO. 236 REINFORCED CONC. WEIR DETAILS JAMES L. ARMOUR, P.E. - CITY ENGINEER CITY OF WICHITA PROJECT NO. 468-83883 Professional Engineering Consultants, P.A. 303 S. TOPEKA • WICHITA, KANSAS 67202 316-262-2691 • FAX 316-262-3003			
Designed by	BDB, BLB	Job No.	35-04485-001
Drawn by	BJS	Date	SEPTEMBER 2004
			Sheet 20 of 79