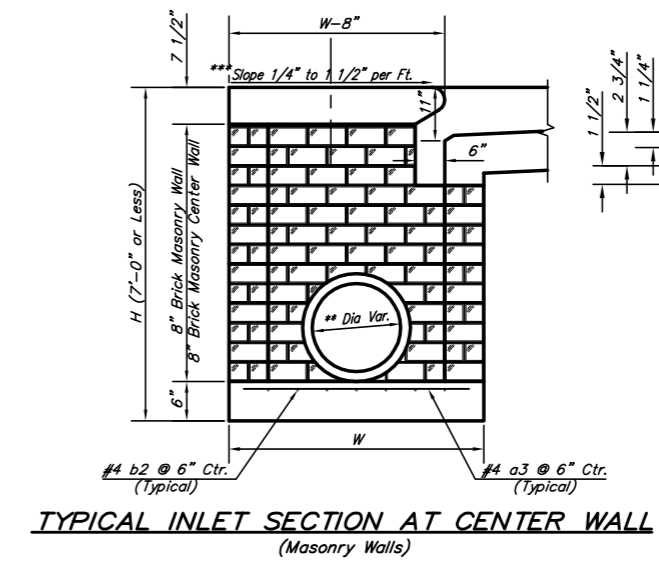
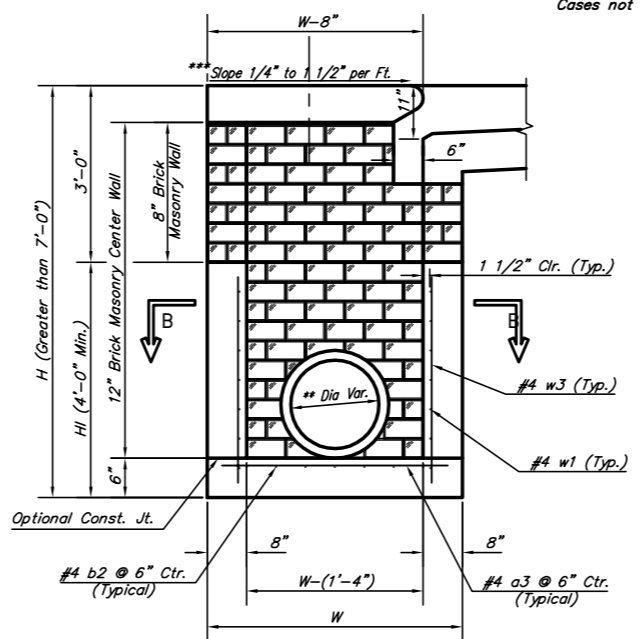


NOTE: Center Wall Pipe Size shall be as Specified in Inlet Construction Notes on the Plan/Profile Sheets for those Cases not Shown Here.



NOTES:  
 \*\* A center wall opening shall be provided by means of a section of reinforced concrete pipe. See Case I and Case II above.  
 \*\*\* Slope of inlet tops to match sidewalk of parking slopes within limits indicated.

**PRECAST SLAB AND FLOOR REINFORCING**

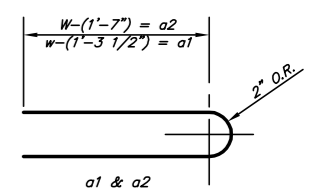
| MARK | SIZE | W = 4'-4" |        | W = 5'-4" |        | W = 6'-4" |        | W = 7'-4" |        | W = 8'-4" |        |
|------|------|-----------|--------|-----------|--------|-----------|--------|-----------|--------|-----------|--------|
|      |      | NO.       | LENGTH | NO.       | LENGTH | NO.       | LENGTH | NO.       | LENGTH | NO.       | LENGTH |
| * a1 | #4   | 13        | 6'-7"  | 13        | 8'-7"  | 13        | 10'-7" | 13        | 12'-7" | 13        | 14'-7" |
| a2   | #4   | 4         | 6'-0"  | 4         | 8'-0"  | 4         | 10'-0" | 4         | 12'-0" | 4         | 14'-0" |
| a3   | #4   | 23        | 4'-1"  | 23        | 5'-1"  | 23        | 6'-1"  | 23        | 7'-1"  | 23        | 8'-1"  |
| b1   | #4   | 1         | 9'-9"  | 1         | 9'-9"  | 1         | 9'-9"  | 1         | 9'-9"  | 1         | 9'-9"  |
| * b2 | #4   | 23        | 11'-1" | 29        | 11'-1" | 35        | 11'-1" | 41        | 11'-1" | 47        | 11'-1" |
| x1   | #4   | 16        | 3'-10" | 16        | 4'-2"  | 16        | 4'-6"  | 16        | 4'-10" | 16        | 5'-2"  |

**WALL REINFORCING**

| MARK | SIZE | W = 4'-4" |        | W = 5'-4" |        | W = 6'-4" |        | W = 7'-4" |        | W = 8'-4" |        |
|------|------|-----------|--------|-----------|--------|-----------|--------|-----------|--------|-----------|--------|
|      |      | NO.       | LENGTH | NO.       | LENGTH | NO.       | LENGTH | NO.       | LENGTH | NO.       | LENGTH |
| w1   | #4   | ①         | 11'-1" | ①         | 11'-1" | ①         | 11'-1" | ①         | 11'-1" | ①         | 11'-1" |
| w2   | #4   | ①         | 4'-1"  | ①         | 5'-1"  | ①         | 6'-1"  | ①         | 7'-1"  | ①         | 8'-1"  |
| w3   | #4   | 52        | ②      | 56        | ②      | 60        | ②      | 64        | ②      | 68        | ②      |

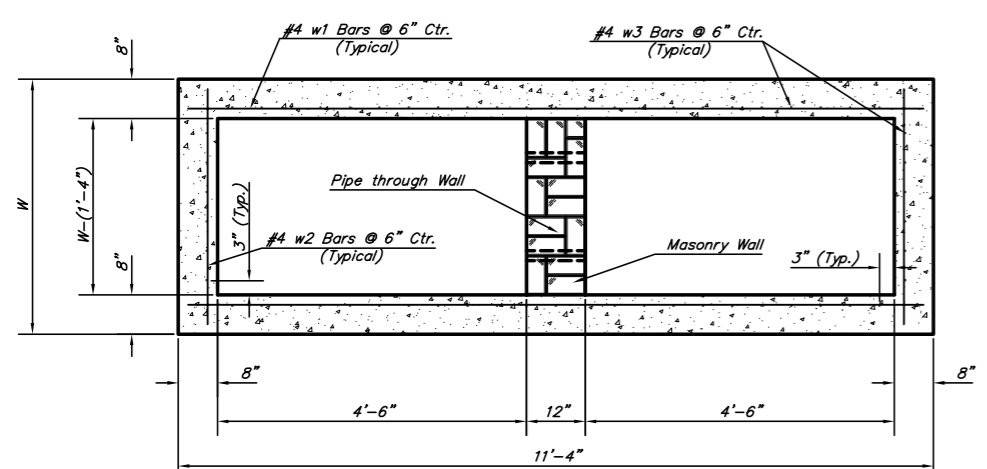
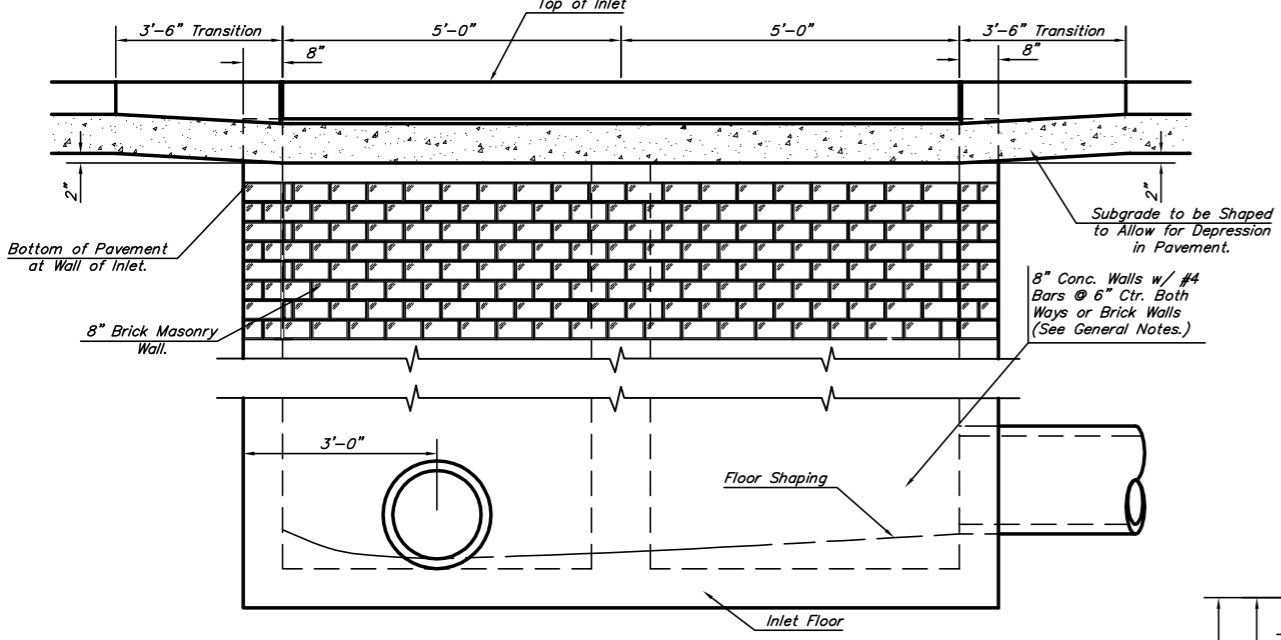
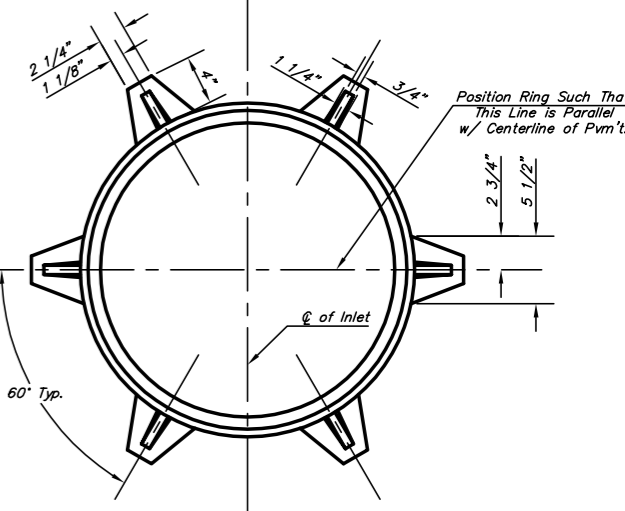
\* Field Bend or Cut Reinforcing as Required for Clearance.  
 ① 4 (Hl - 12") (Hl - 21") Rounded down to nearest 0.5"  
 ② Hl - 3"

- GENERAL NOTES:**
- The contractor shall be required to construct 8" brick masonry walls between the concrete inlet base and top on this inlet when W=6'-4" or less and H=7'-0" or less. When W is greater than 6'-4" and H is less than 7'-0" the outside inlet walls below the brick stock shall be reinforced concrete construction and the center wall shall be of masonry construction as shown for the masonry wall option.
  - Inlet invert shall be shaped with 8 sack sand mix concrete to create flow channels and to increase hydraulic efficiency such that the inlet will be self cleaning between all inlet and/or outlet pipes.
  - Concrete tops to be installed on thin mortar cushion to insure full support along brick walls. Concrete tops may be cast in place or precast. Concrete used for inlet construction shall be concrete pavement mix.
  - Inlet top reinforcing shall be spaced on 6" max. centers. Inlet lids shall be notched out as indicated to facilitate construction of curb. Bars in inlet top to be field bent or cut to clear manhole ring.
  - The ends of all pipes installed in inlets shall be cut off flush with the inside face of the inlet wall.



**STANDARD CURB INLET PRECAST TOPS**

| W     | PRE-CAST TOP SIZE   | PIPE SIZE     | CU. YD. CONC. |
|-------|---------------------|---------------|---------------|
| 4'-4" | 3'-8" 11'-4" 7 1/2" | 21" & SMALLER | 0.83±         |
| 5'-4" | 4'-8" 11'-4" 7 1/2" | 24" & 30"     | 1.09±         |
| 6'-4" | 5'-8" 11'-4" 7 1/2" | 36" & 42"     | 1.35±         |
| 7'-4" | 6'-8" 11'-4" 7 1/2" | 48" & 54"     | 1.61±         |
| 8'-4" | 7'-8" 11'-4" 7 1/2" | 60" & 66"     | 1.87±         |



**THE CITY OF WICHITA**

**STANDARD TYPE 1-A CURB INLET OPENING = 6"x10'-0"**

CITY ENGINEER'S OFFICE  
 CITY HALL - SEVENTH FLOOR  
 455 NORTH MAIN STREET  
 WICHITA, KANSAS 67202  
 (316) 268-4561  
 (316) 268-4114 FAX

|                             |                 |
|-----------------------------|-----------------|
| PROJECT NUMBER<br>468-84204 | OCA #<br>751430 |
| DATE<br>MAR 96              | SHEET 10 OF 13  |