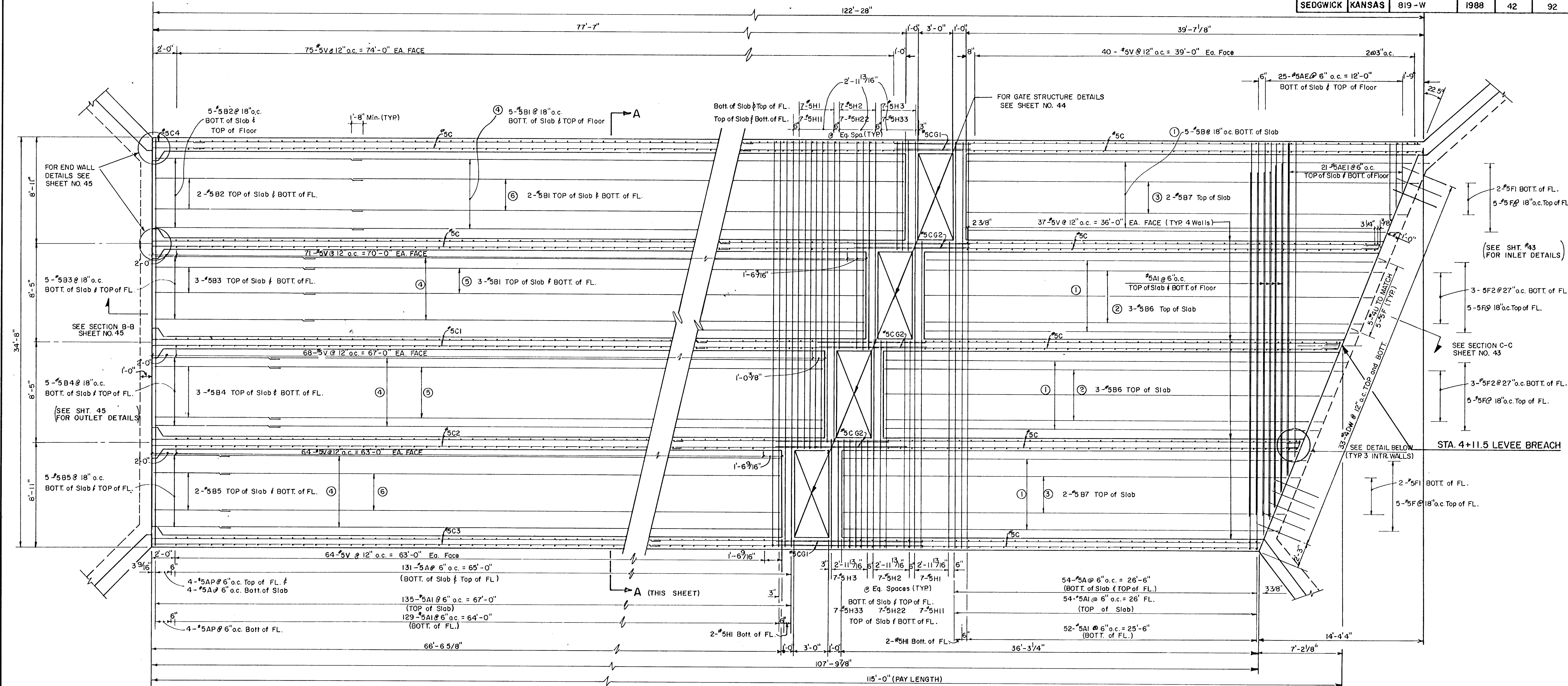
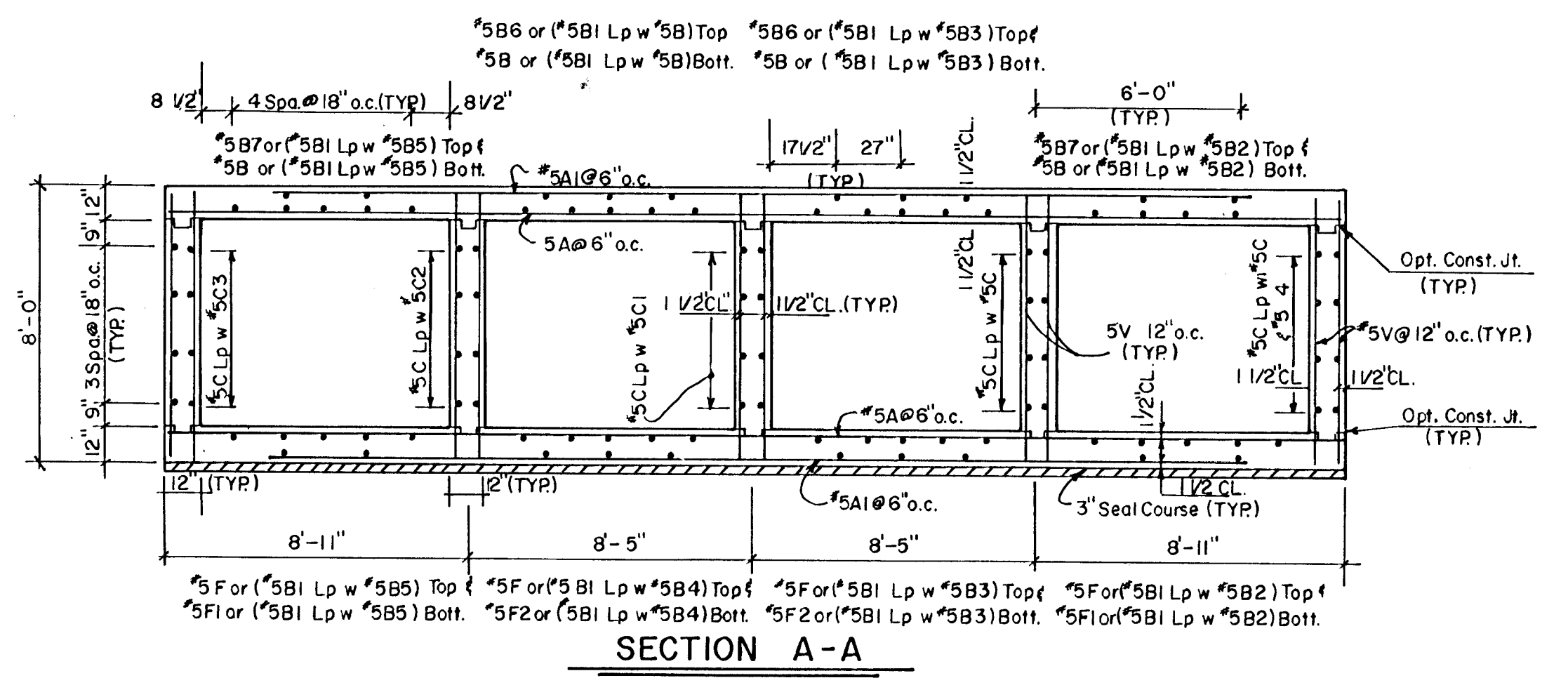


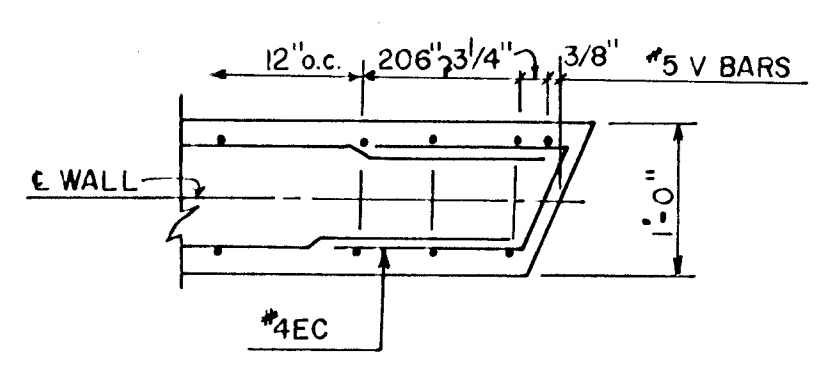
COUNTY	STATE	PROJECT NUMBER	FISCAL YEAR	SHEET NO.	TOTAL SHEETS
SEDGWICK	KANSAS	819-W	1988	42	92



PLAN
(SHOWN AT FLOOR LEVEL)



SECTION A-A



END WALL DETAIL
(INLET END)

**SOUTH SENECA STREET
PLAN**

LEVEE BREACH STRUCTURE

PREPARED BY
SEDGWICK COUNTY BUREAU OF PUBLIC SERVICES
HIGHWAY DIVISION

DAVID C. SPEARS, P.E.				DIRECTOR
REVISED	SCALE	DESIGNED	TRACED	CHECKED
	NONE	S.H.H.	R.E.F.	D.V.R.
	DATE	8-87	8-87	3-88
PLAINFILE	TOTAL SHEETS			92

42