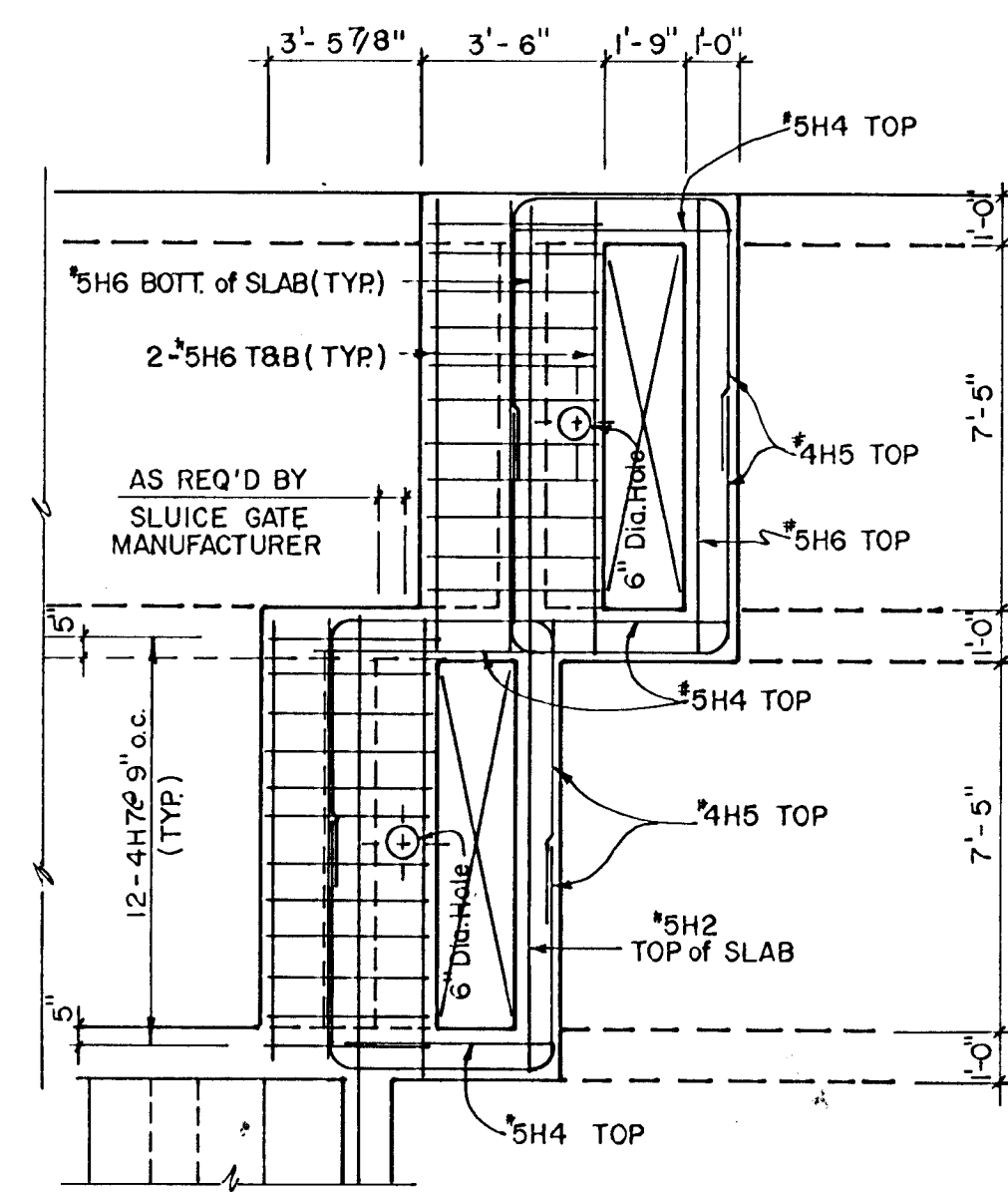
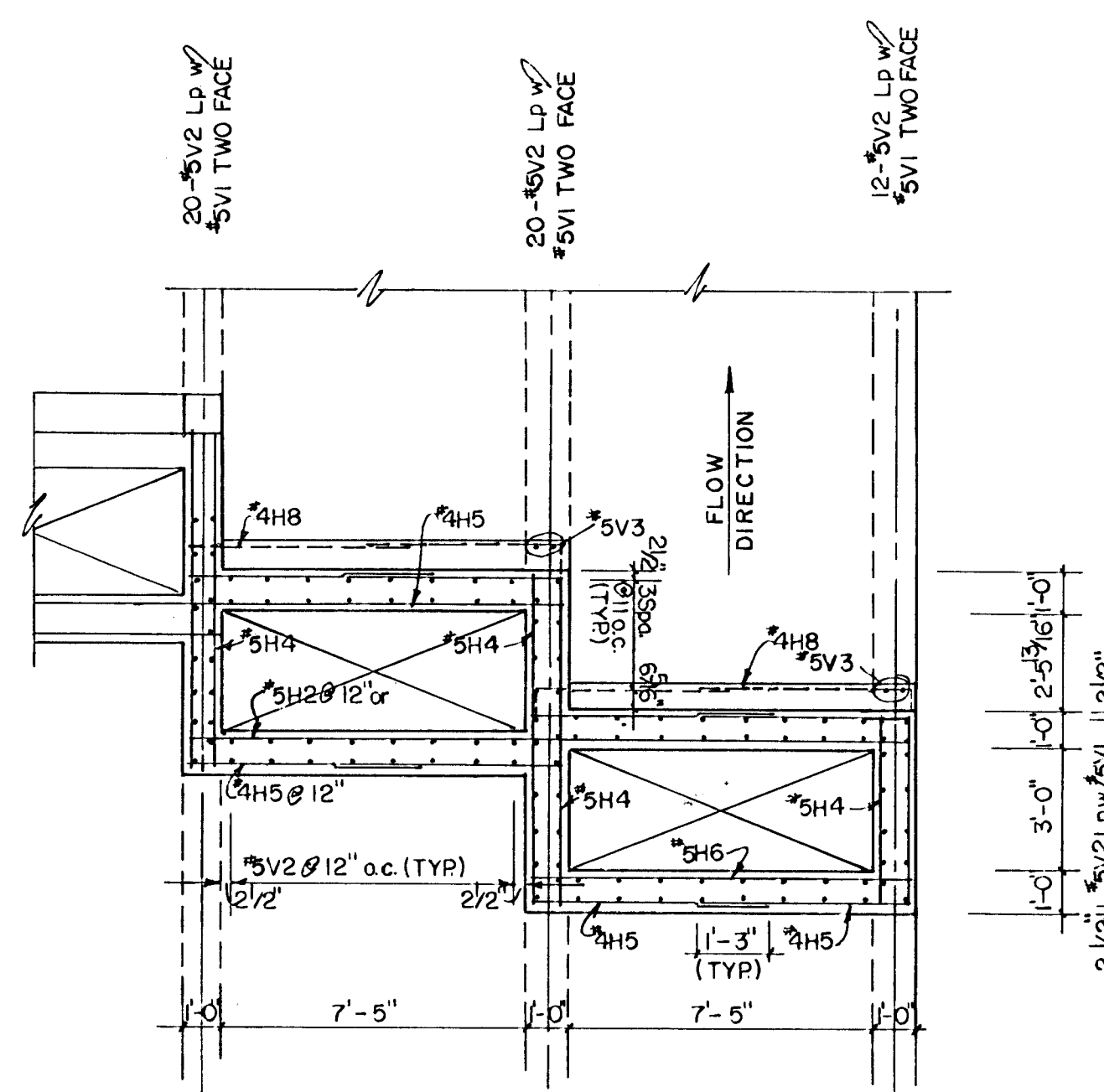


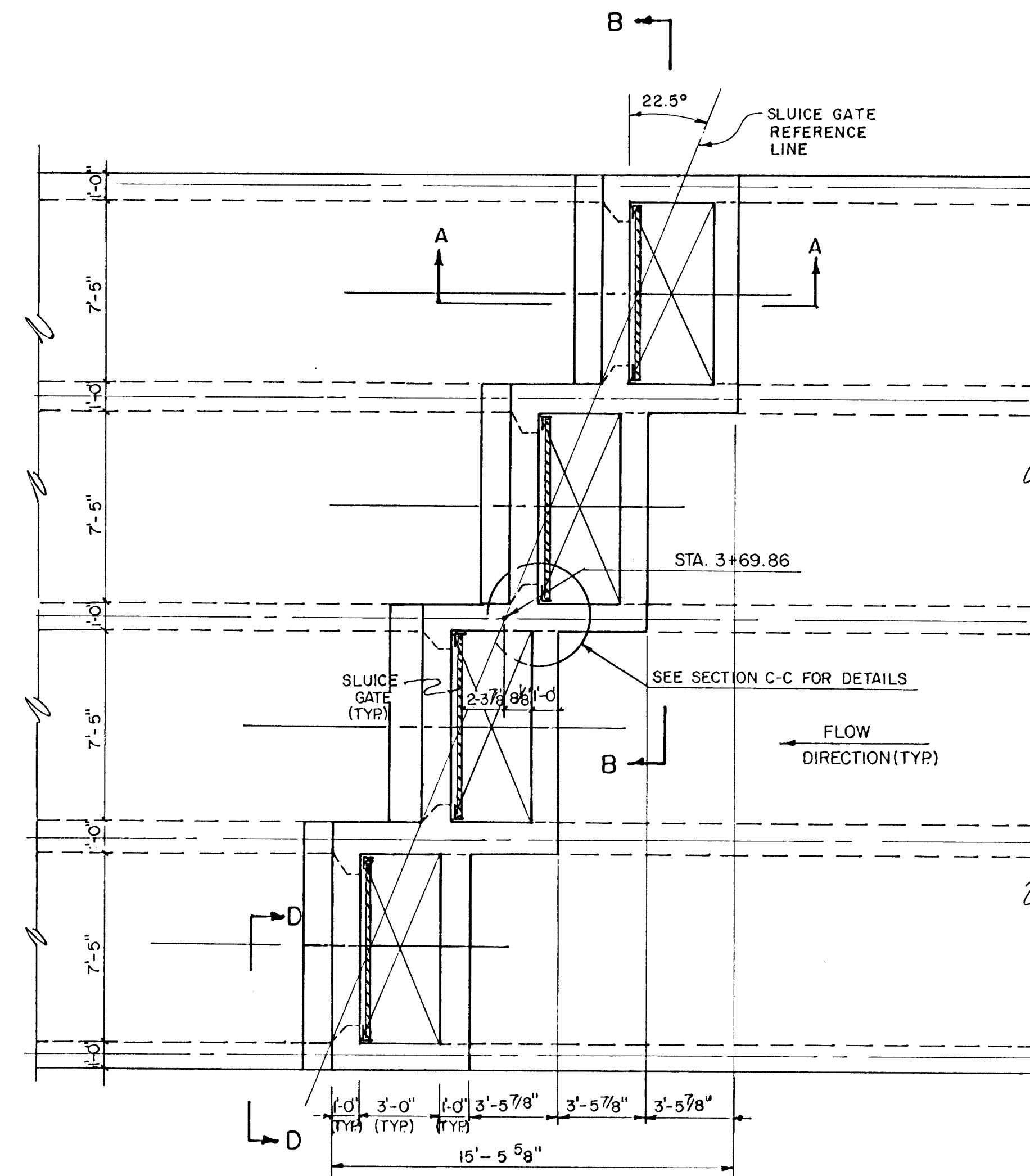
COUNTY	STATE	PROJECT NUMBER	FISCAL YEAR	SHEET NO.	TOTAL SHEETS
SEDGWICK	KANSAS	819 - W	1988	44	92



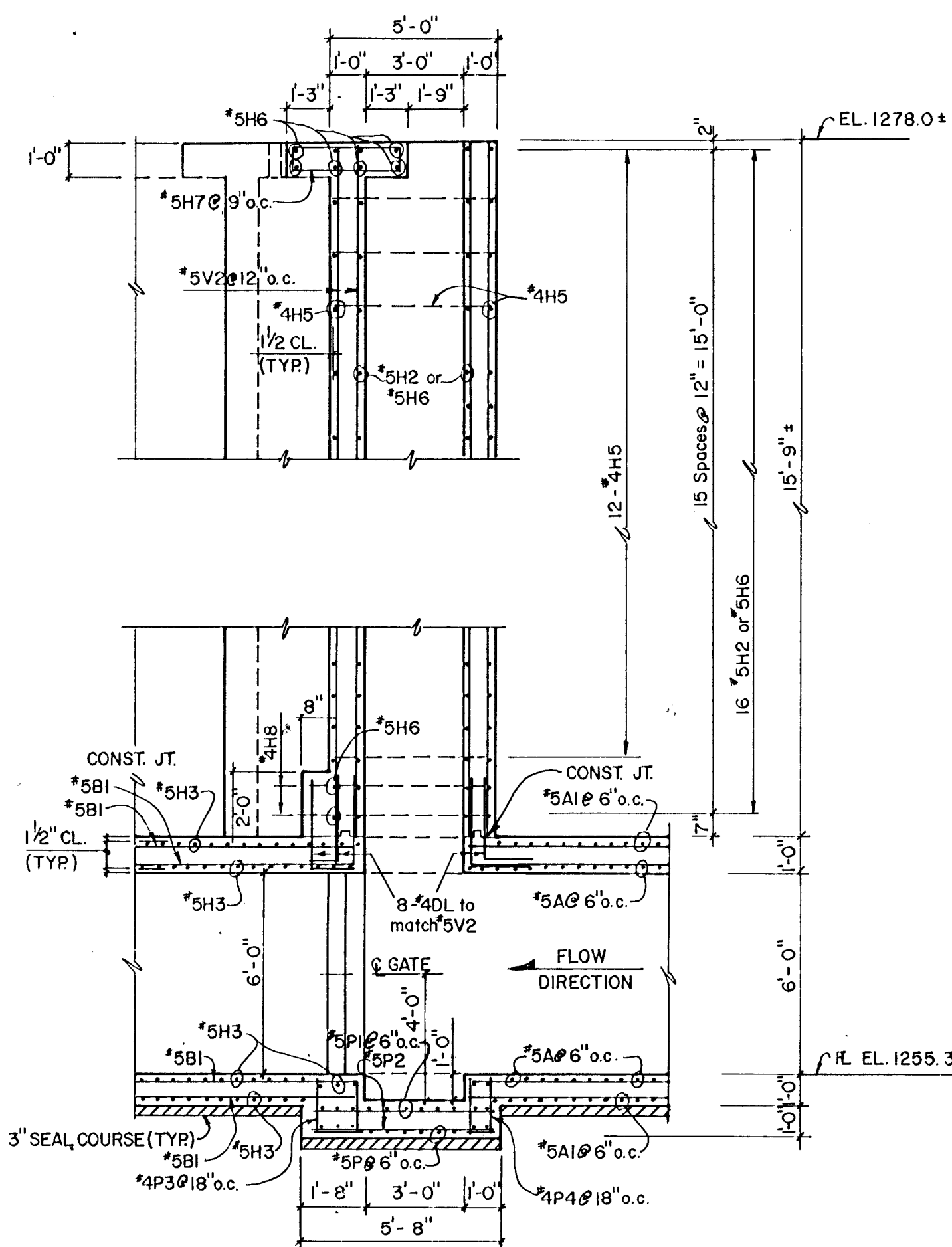
PLAN-TOP SLAB @ EL. 1278.0
(SLUICE GATE STRUCTURE)



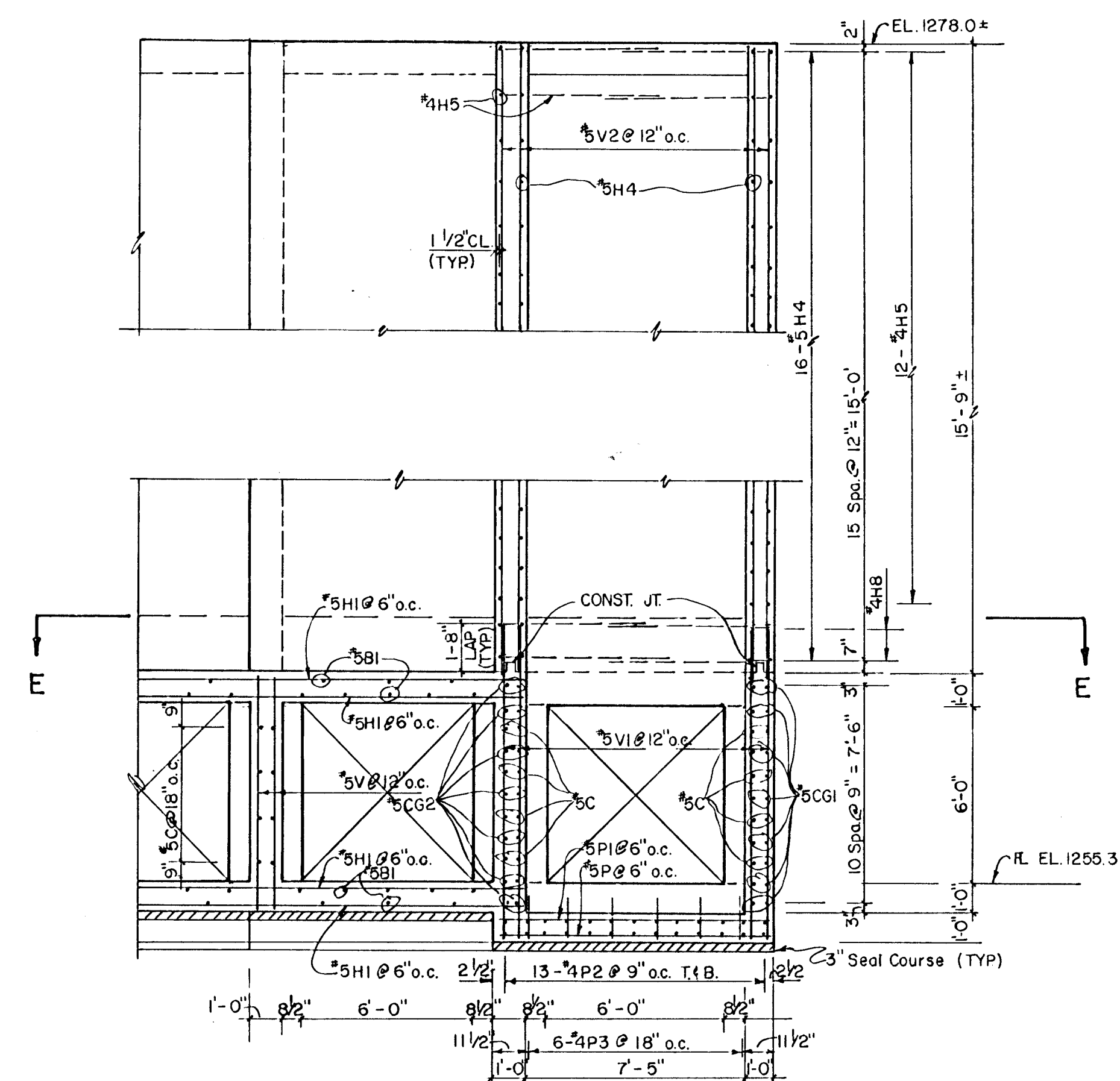
SECTION E-E
(SLUICE GATE STRUCTURE)
(REFER TO SECT. B-B FOR LOCATION)



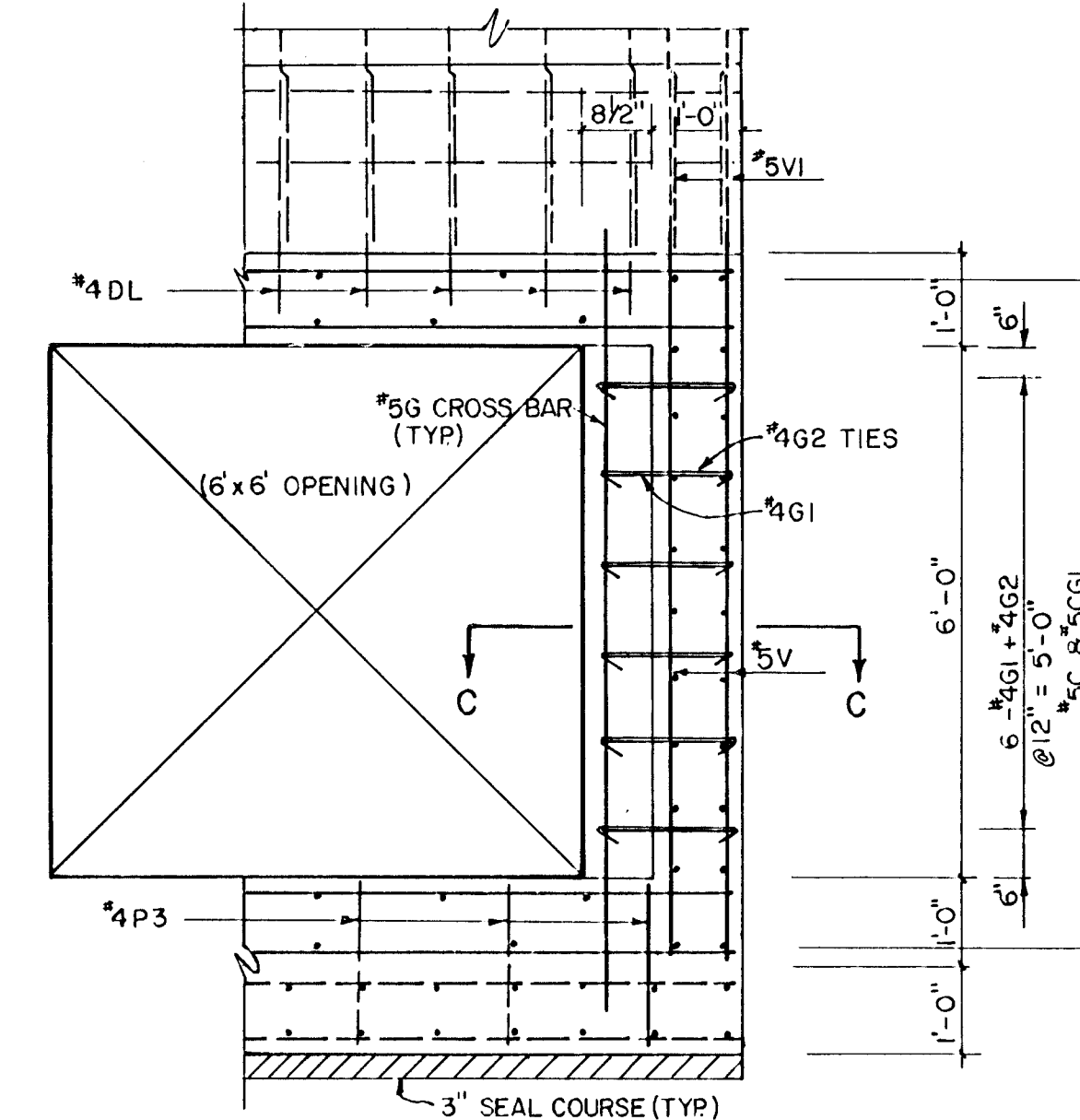
SLUICE GATE STRUCTURE



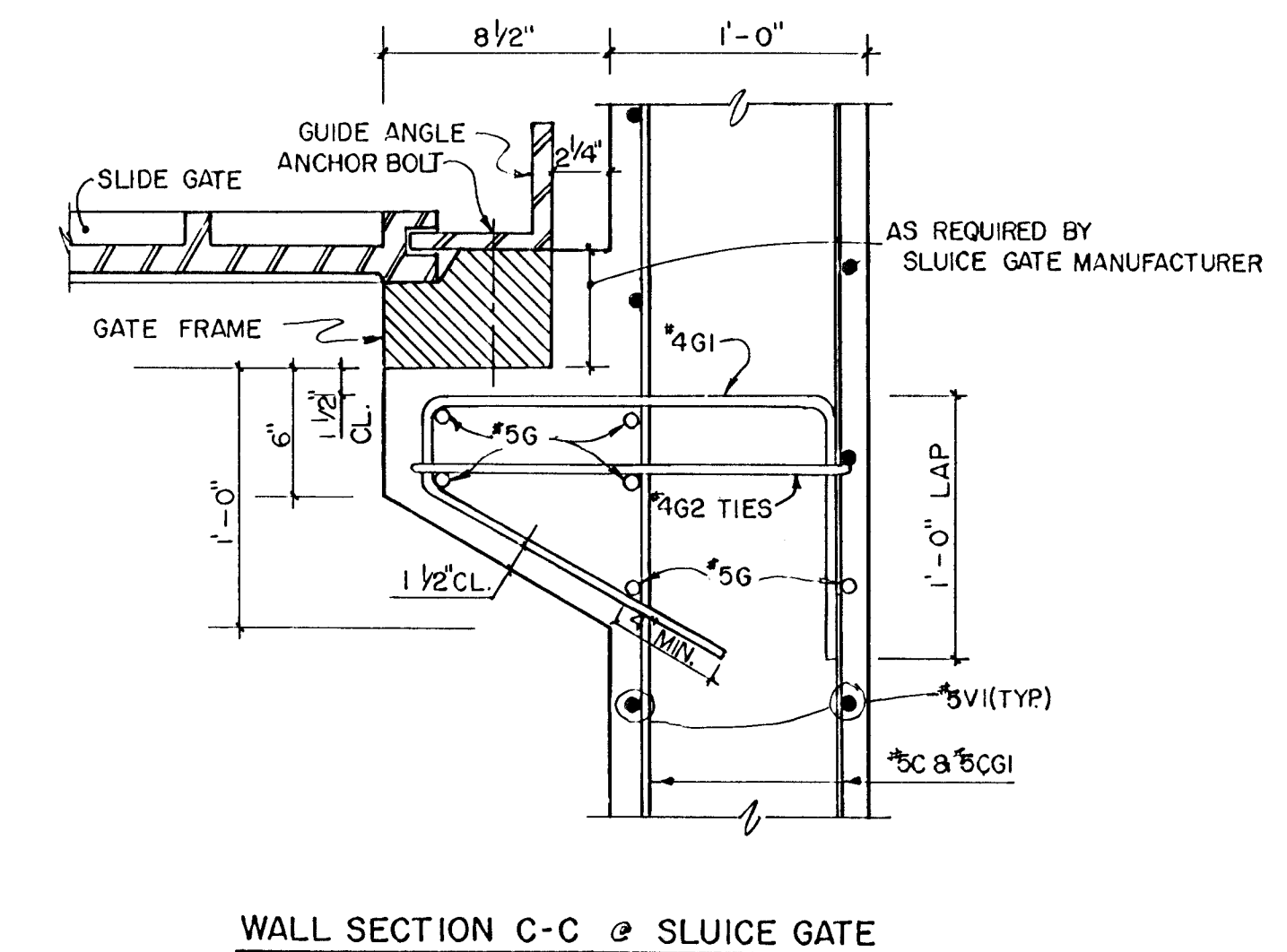
SECTION A-A
(SLUICE GATE STRUCTURE)



SECTION B-B
(SLUICE GATE STRUCTURE)



SECTION D-D
(SLUICE GATE STRUCTURE)



WALL SECTION C-C @ SLUICE GATE

SOUTH SENECA STREET
SLUICE GATE STRUCTURE
DETAILS
LEVEE BREACH STRUCTURE

PREPARED BY
SEDGWICK COUNTY BUREAU OF PUBLIC SERVICES
HIGHWAY DIVISION
DAVID C. SPEARS, P.E. DIRECTOR

REVISED	SCALE	DESIGNED	TRACED	CHECKED	SHEET NO.
	NONE	SHH	REF	DV.R.	44
	DATE	8-87	8-87	3-88	
	PLAINFILE	TOTAL SHEETS 92			