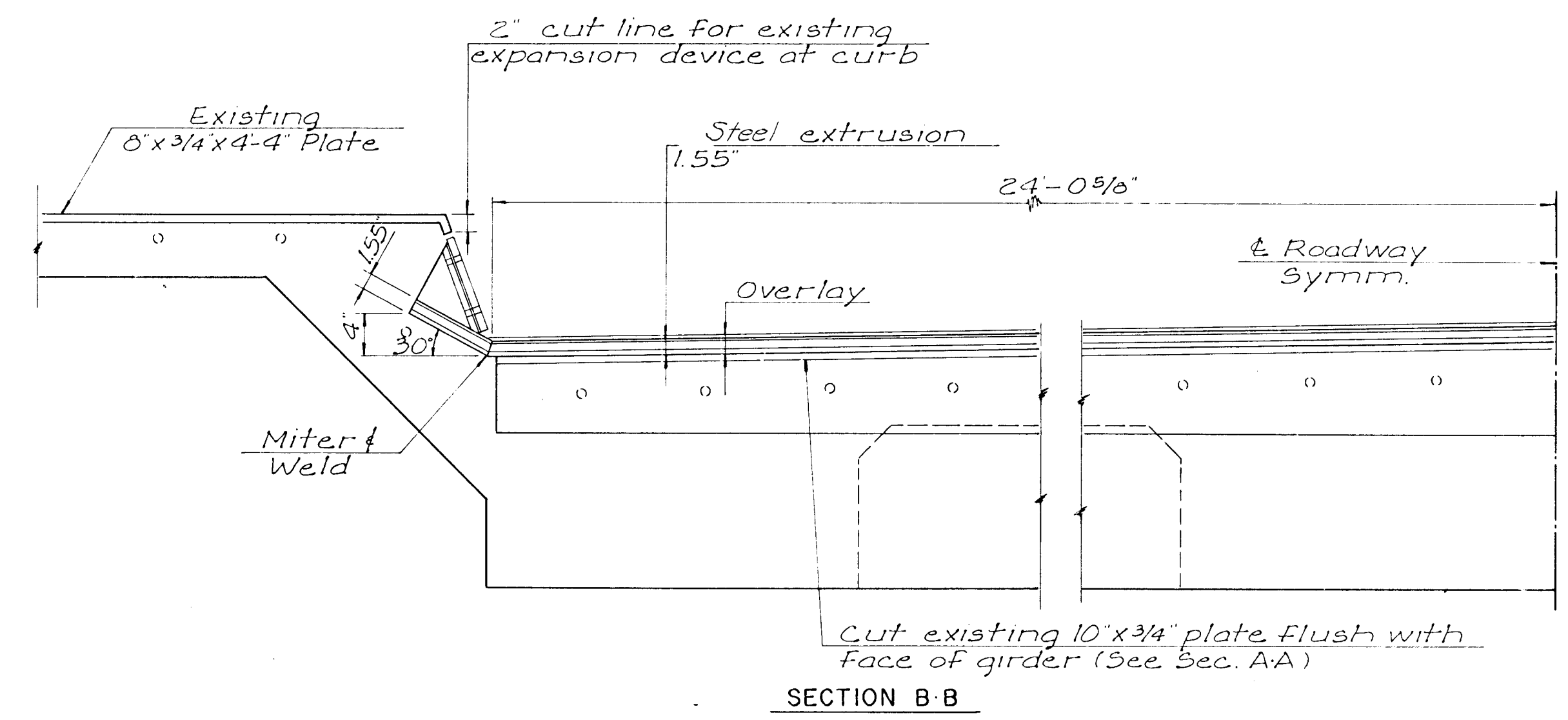
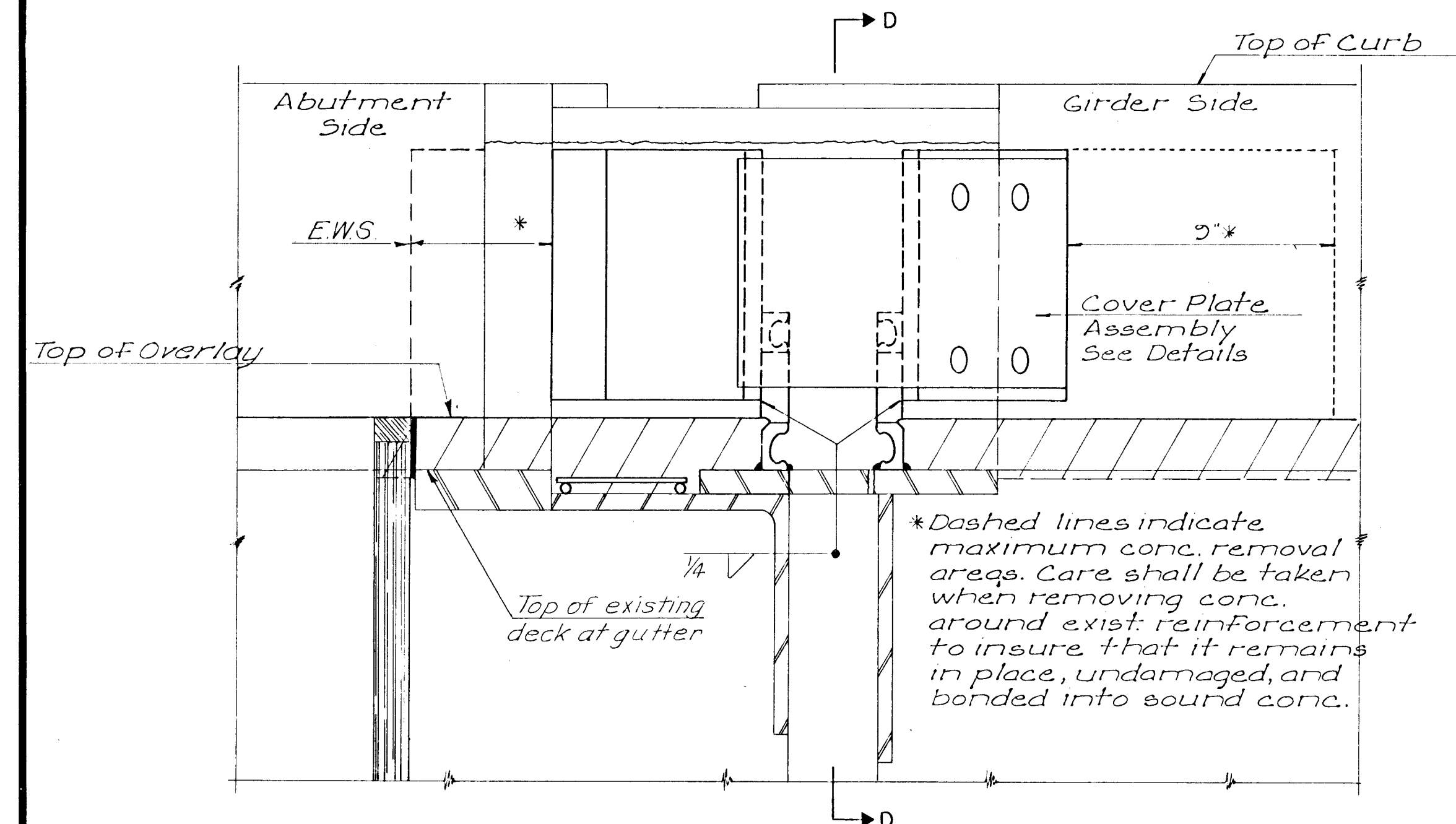


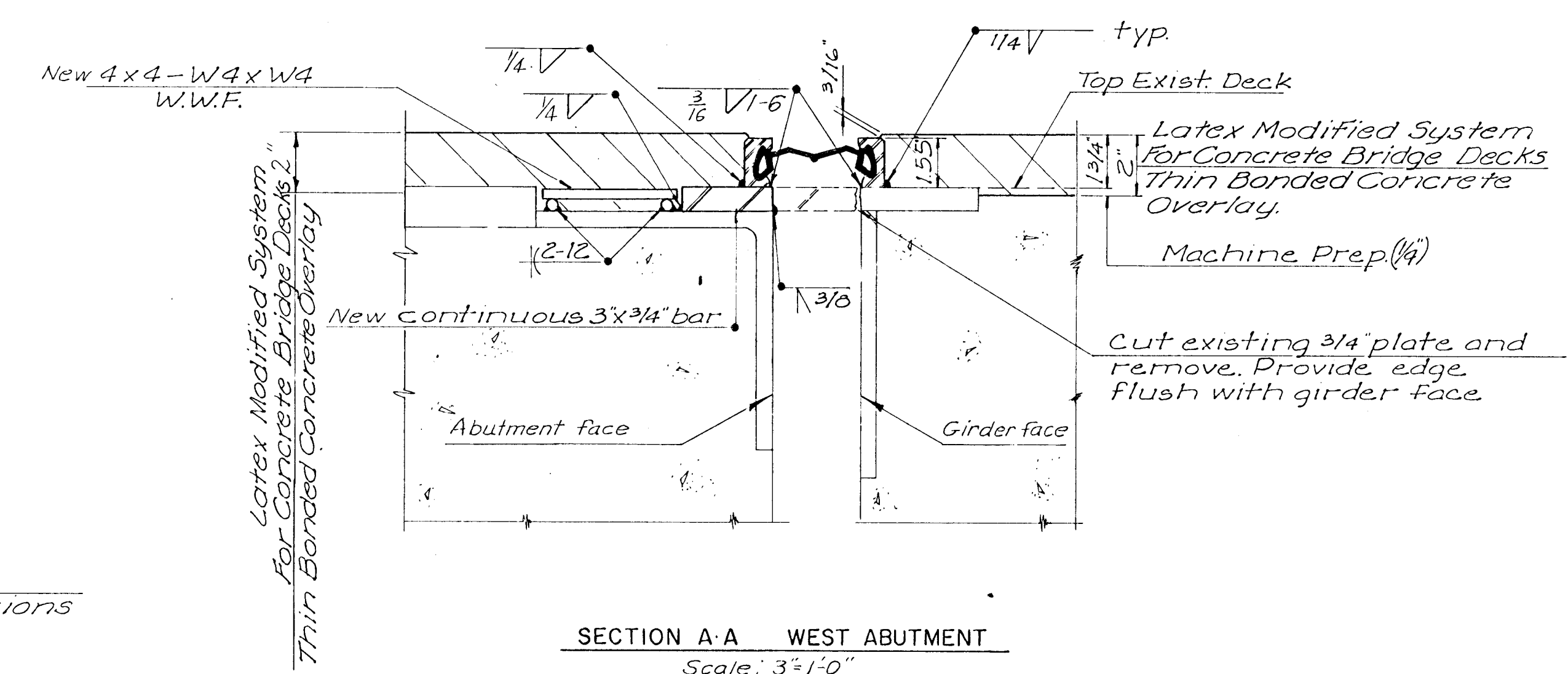
HALF PLAN, DECK AT EXPANSION DEVICE
Scale: 1/4"=1'-0"



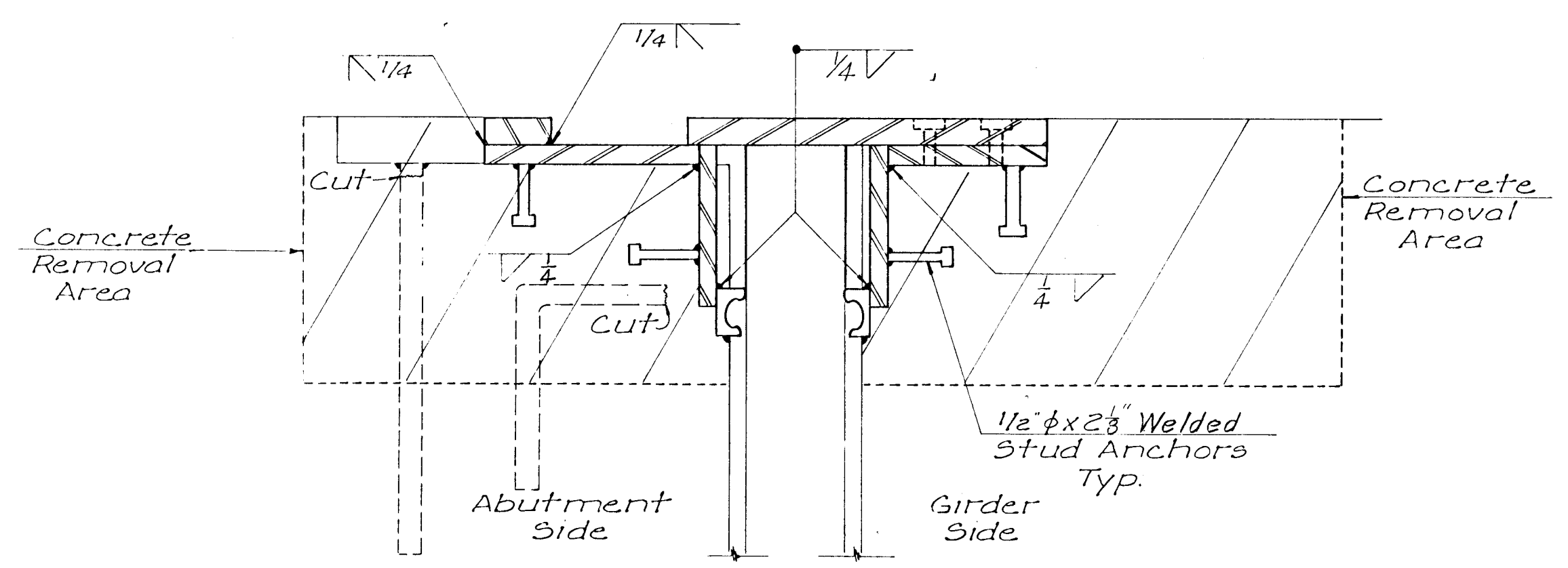
SECTION B-B



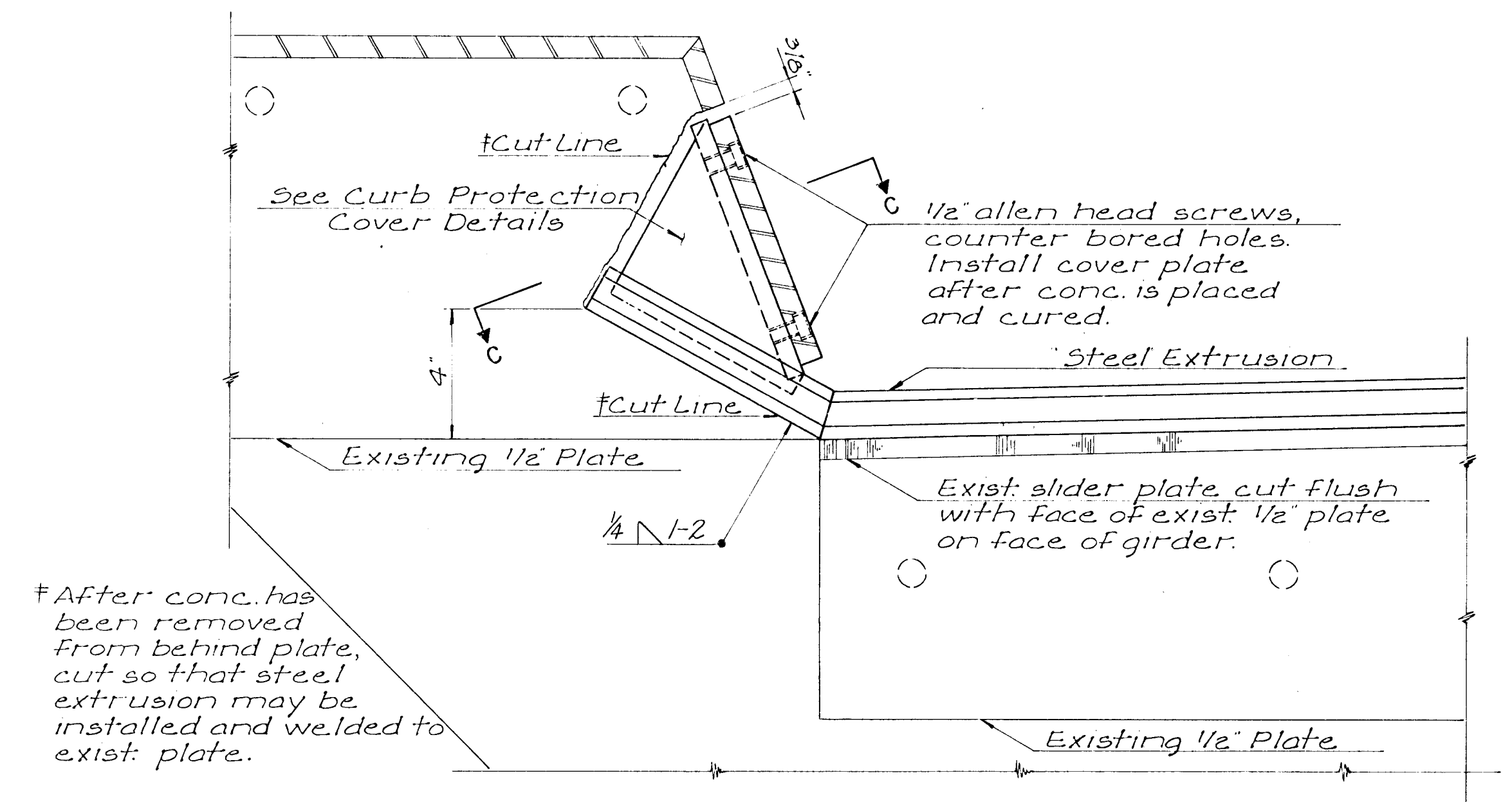
ELEVATION, EXPANSION DEVICE AT CURB
Scale: 3"=1'-0"



SECTION A-A WEST ABUTMENT
Scale: 3"=1'-0"
(See sheet #5 for modifications at East Abutment)

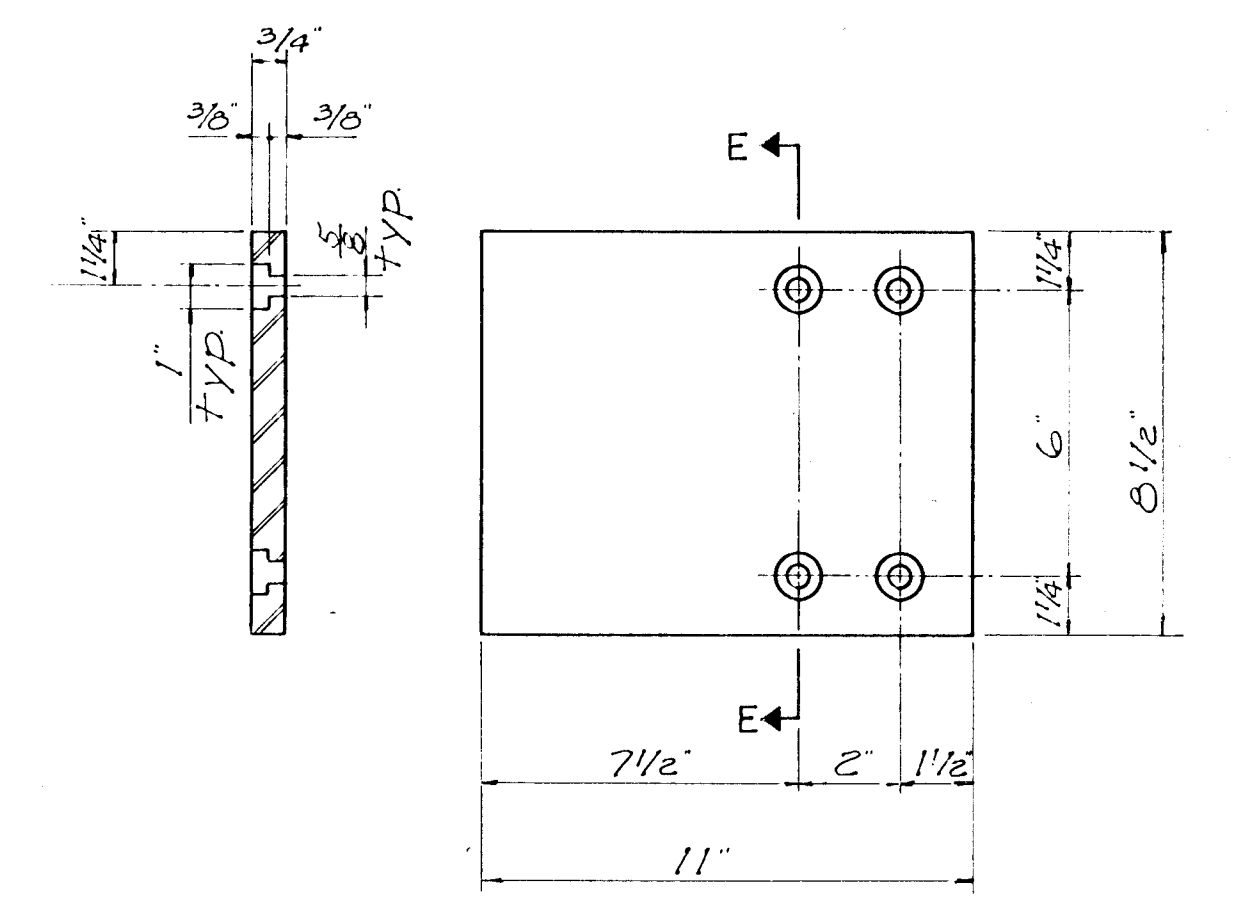


SECTION C-C
Scale: 3"=1'-0"

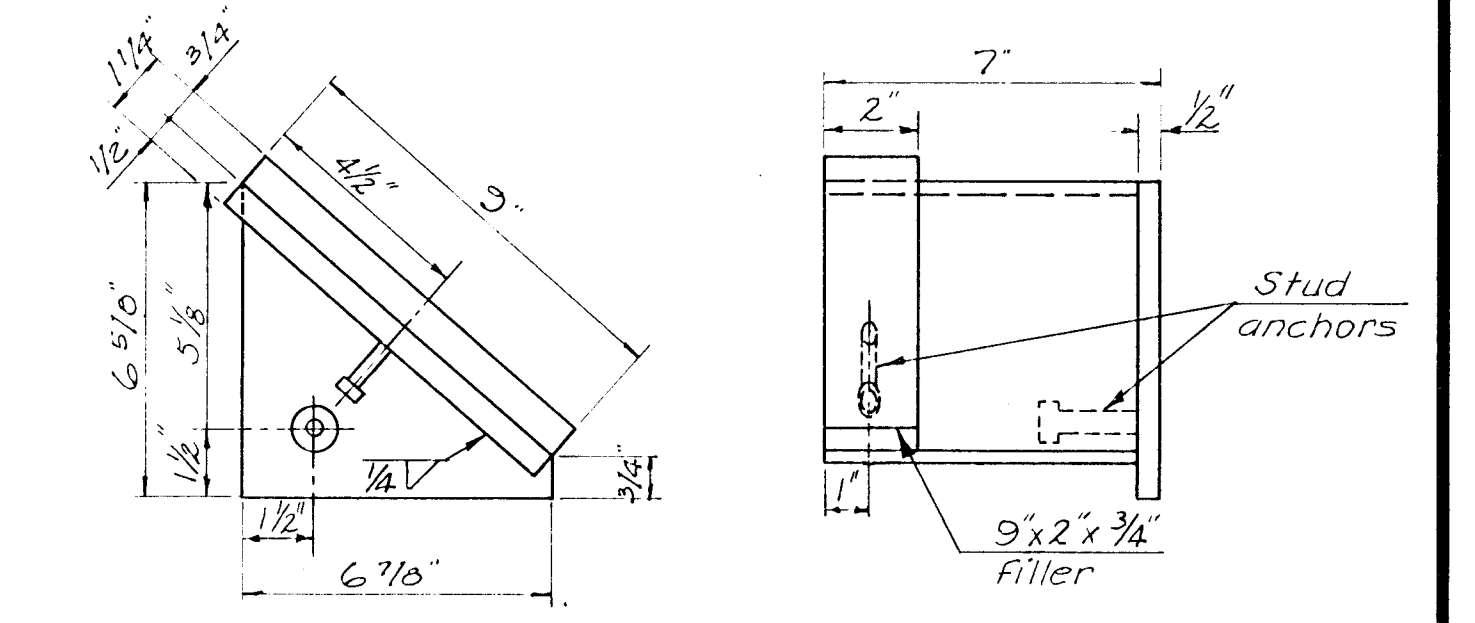


SECTION D-D

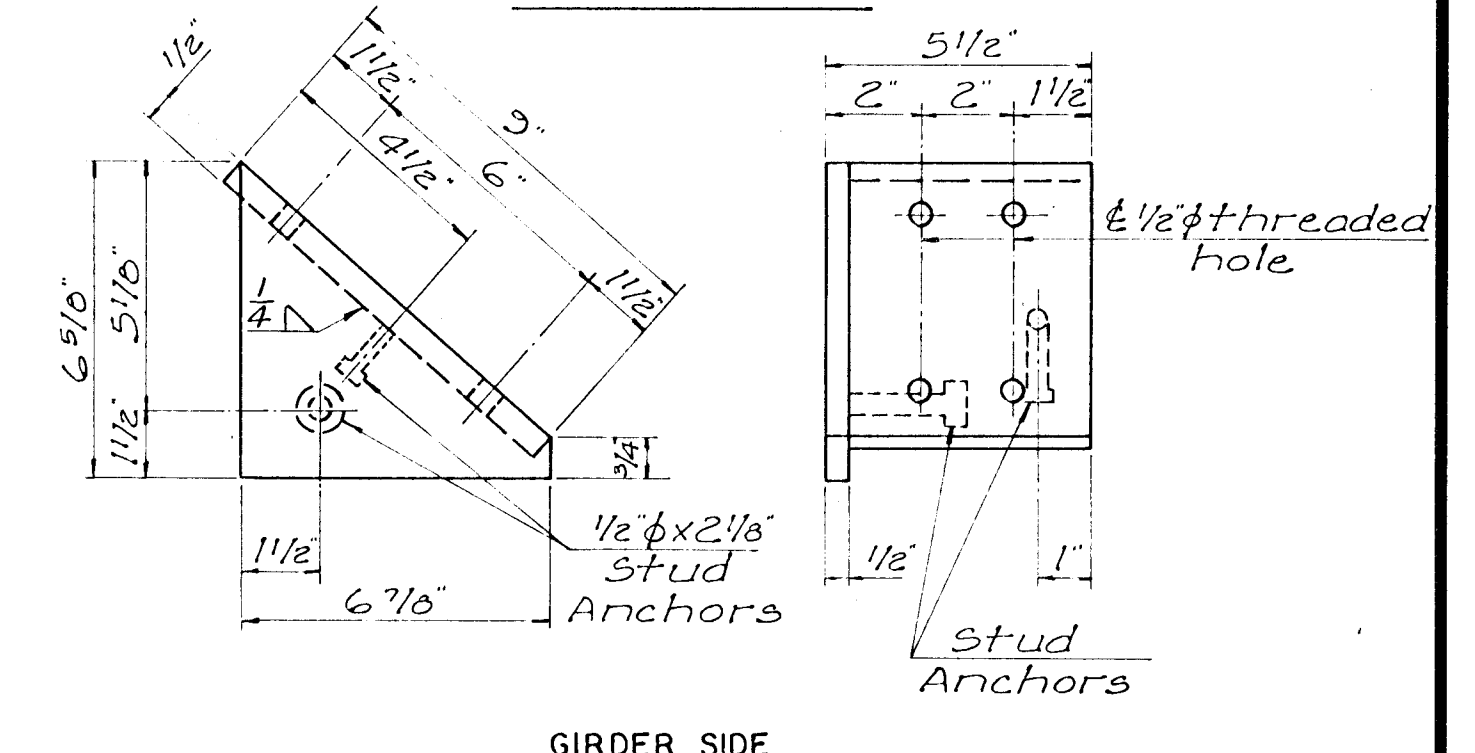
*For both Latex Modified System & Thin Bonded Concrete Overlay use 2" overlay thickness at the expansion devices. For Latex Modified System on the girder side, taper overlay from 2" to 1 1/2" thickness in approximately 21' so that the transition ends at a scupper.



SECTION E-E COVER PLATE



ABUTMENT SIDE



GIRDER SIDE

CURB PROTECTION COVER DETAILS
Scale: 3"=1'-0"

DESIGN
ND
DR. BY
BES
CK. BY
RAW
DATE
Mar 78
JOB NO.
77-218

BRIDGE DECK RECONSTRUCTION
13TH ST. OVER THE ARKANSAS RIVER

EXPANSION DEVICE DETAILS

VAN DOREN · HAZARD · STALLINGS
ARCHITECTS · ENGINEERS · PLANNERS
WICHITA, KANSAS

SHEET
4
OF 6