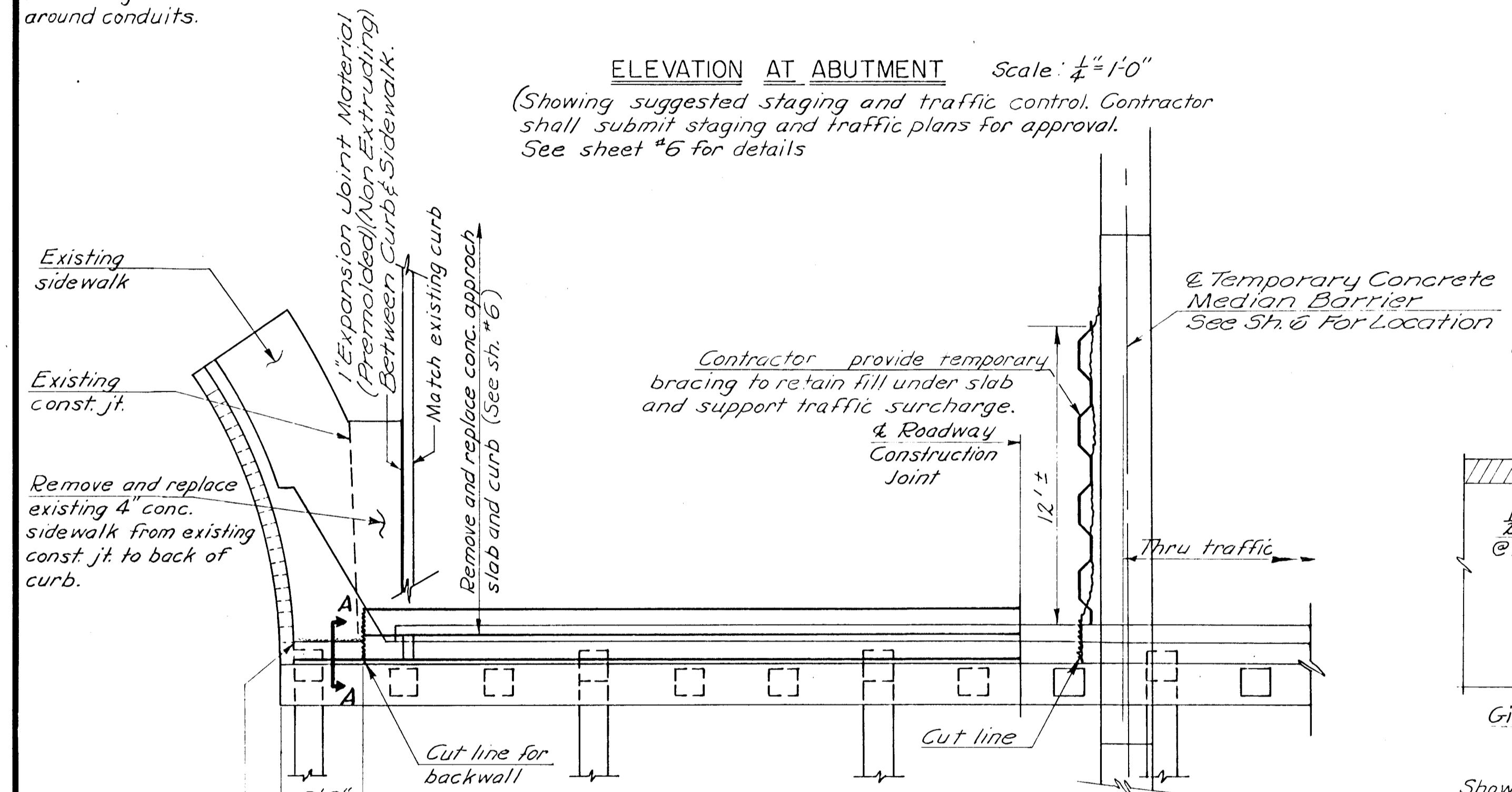
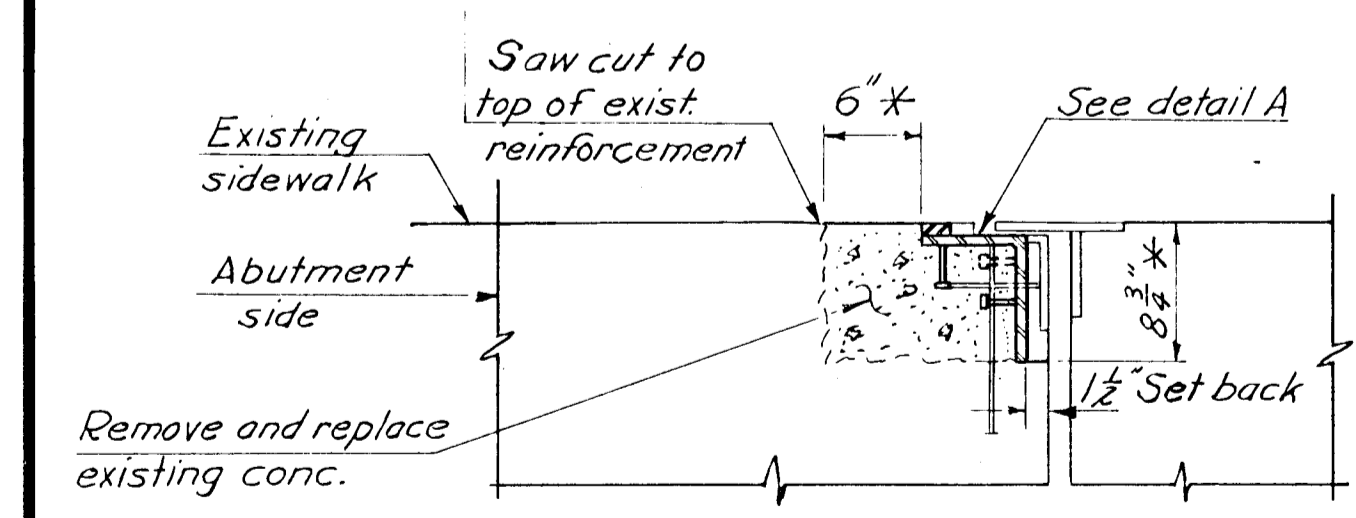


ELEVATION AT ABUTMENT Scale: 1/4"=1'-0"

(Showing suggested staging and traffic control. Contractor shall submit staging and traffic plans for approval. See sheet #6 for details)

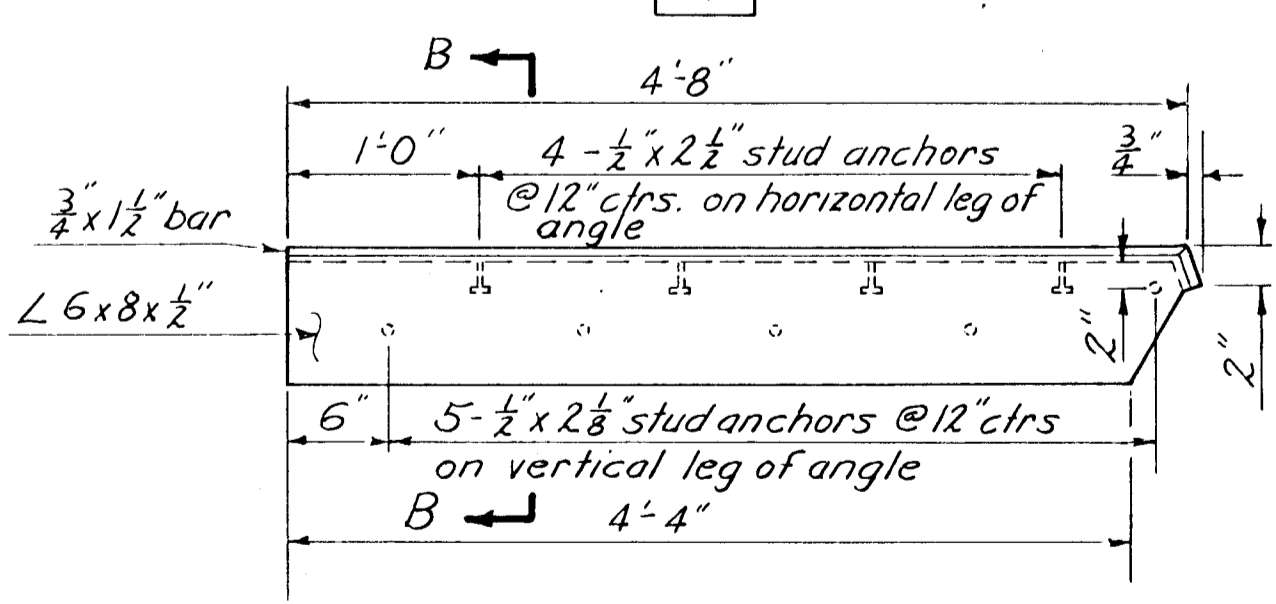


PLAN AT ABUTMENT Scale: 1/4"=1'-0"



SECTION A-A Scale: 1"=1'-0"

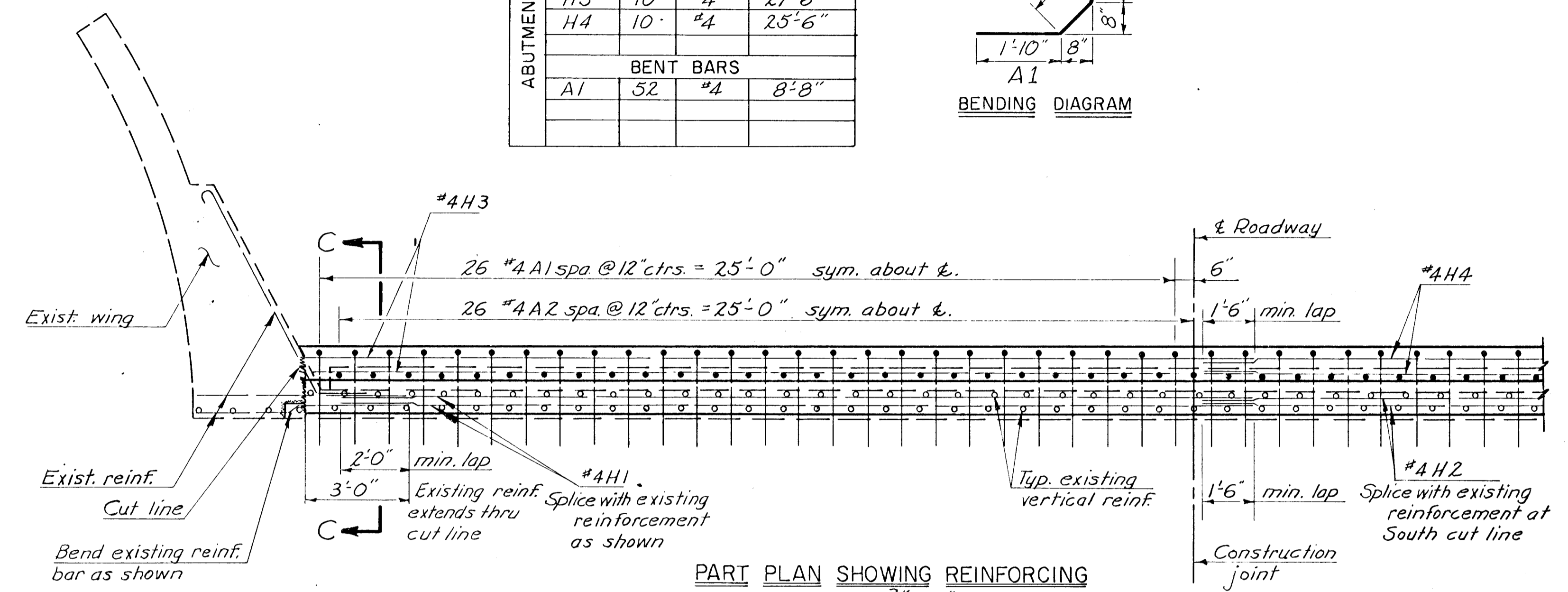
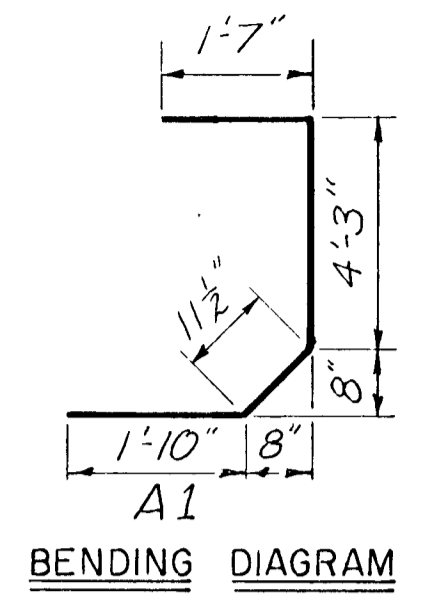
* Dashed lines indicate maximum concrete removal areas



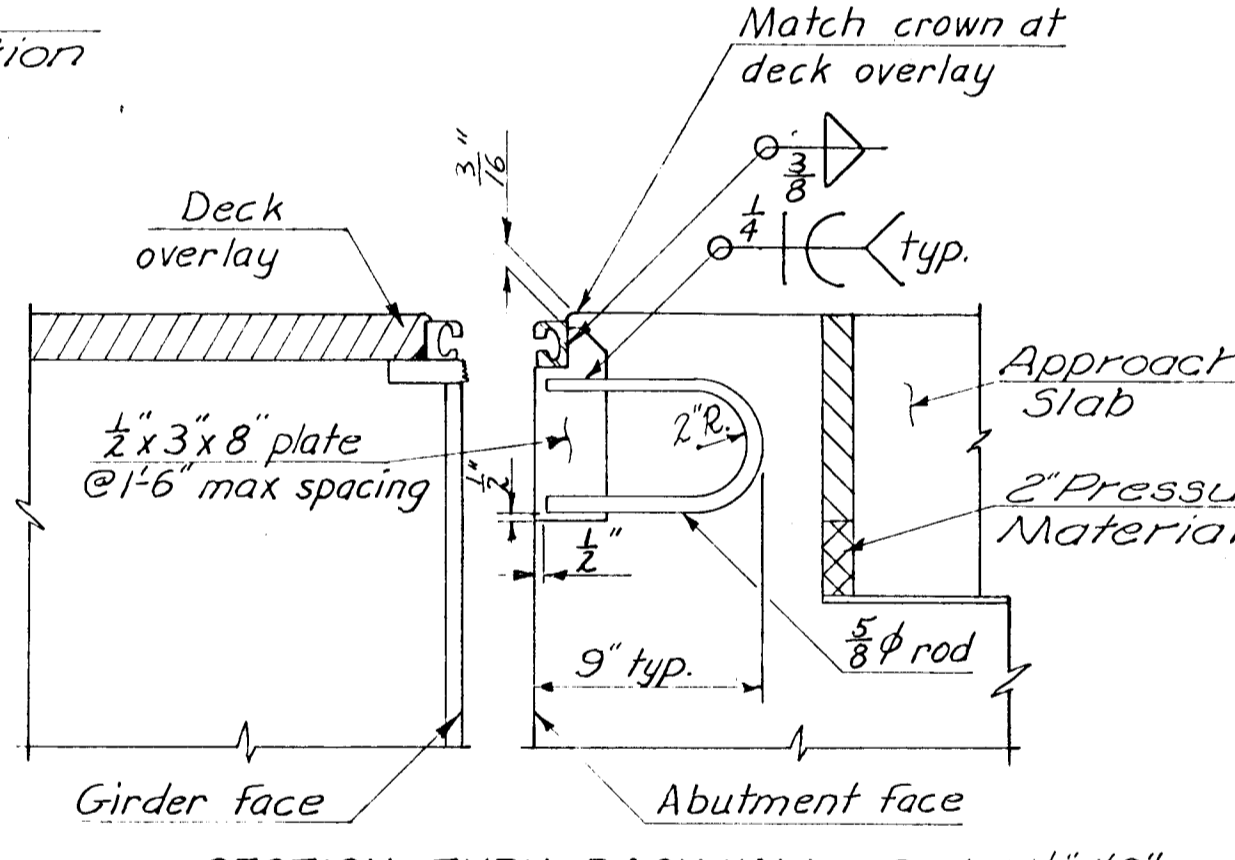
DETAIL "A" Scale: 1"=1'-0"

Armor angle at Expansion Pocket. Two required, North side angle shown, South side angle reverse.

| BILL OF REINFORCING STEEL | | | |
|---------------------------|-----|------|--------|
| STRAIGHT BARS | | | |
| MARK | NO. | SIZE | LENGTH |
| A2 | 51 | #4 | 6'-2" |
| A3 | 52 | #4 | 2'-8" |
| H1 | 8 | #4 | 27'-6" |
| H3 | 10 | #4 | 27'-6" |
| H4 | 10 | #4 | 25'-6" |
| BENT BARS | | | |
| A1 | 52 | #4 | 8'-8" |

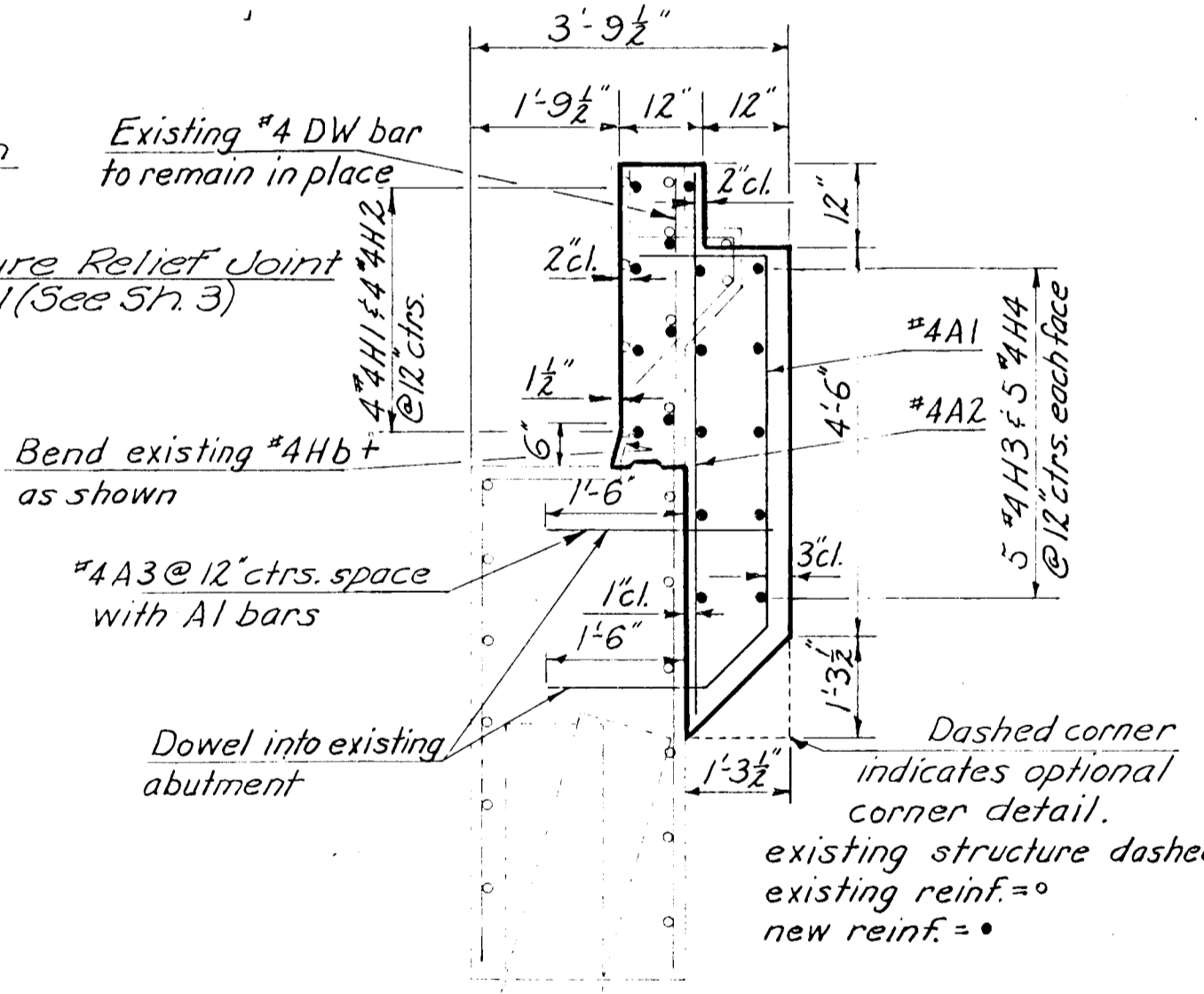


PART PLAN SHOWING REINFORCING Scale: 3/8"=1'-0"

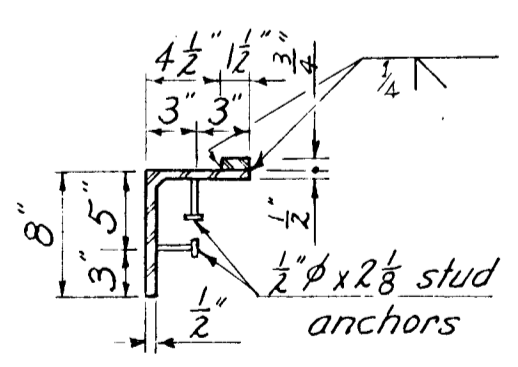


SECTION THRU BACKWALL Scale: 1/2"=1'-0"

Showing anchorage device for strip seal in reconstructed backwall (See section A-A sheet #4.)



SECTION C-C Scale: 1/2"=1'-0"



SECTION B-B Scale: 1"=1'-0"

ABUTMENT REPAIR NOTES EAST ABUTMENT

- The existing East abutment backwall is to be reconstructed 1 1/2" East of its present location to accommodate expansion of the bridge deck.
- Backwall reconstruction will be staged to coincide with bridge deck repairs and bridge deck overlay.
- All vertical reinforcement will remain in place. Horizontal reinforcement at the vertical cut lines shall remain in place and extend 3' beyond the cut line into the new backwall.
- Care shall be taken when removing concrete around reinforcement that is to remain in place to insure that it remains in place undamaged and bonded into sound concrete.
- Any broken or damaged bar shall be replaced. The replacement shall be doweled into existing concrete at a location near the broken or damaged bar.
- Dowel bars are to be set firmly in grout at the required locations in accordance with the specifications.

| | |
|-------------------|-----------------------------------|
| DESIGN N.D. | BRIDGE DECK RECONSTRUCTION |
| DR. BY P.L.C. | 13TH ST. OVER THE ARKANSAS RIVER |
| CK. BY R.A.V. | EAST ABUTMENT REPAIR |
| DATE Nov 78 | VAN DOREN - HAZARD - STALLINGS |
| JOB NO. 77-218 | ARCHITECTS - ENGINEERS - PLANNERS |
| | WICHITA, KANSAS |
| | SHEET 5 OF 6 |