

✱✱ Details for 4" Pressure relief joint. See Standard Drawing Sh. 4.

Δ Details for 4" Edge Curb, See Sh. #4.

W Expansion Joint. See Bridge Construction Layout Sheet for width, sheet #5 for details.

‡ Contractor has the option of substituting a Tied Keyed Construction Joint.

**GENERAL NOTE**

Special Concrete Bridge Approach shall be paid for as Sq. Yds. of Concrete Pavement (12" Unif.)(AE) and includes all work and materials required to construct the approach slab as shown on this sheet.

All work and materials required for installation of expansion joints and pressure relief joints shall be subsidiary to this bid item.

All preformed joint material shall be installed perpendicular to pavement surface. Formed joints shall be edged with 1/4" radius tool for length of joint.

At the Contractor's option #4x3'-0" tie bars @ 15" centers may be substituted for the #6 e bars at 2'-6" centers.

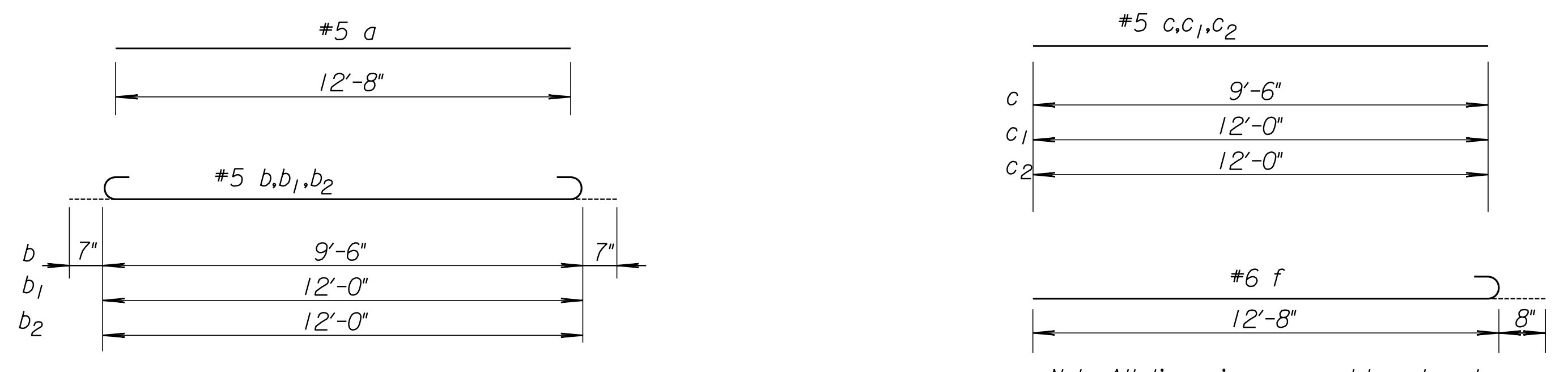
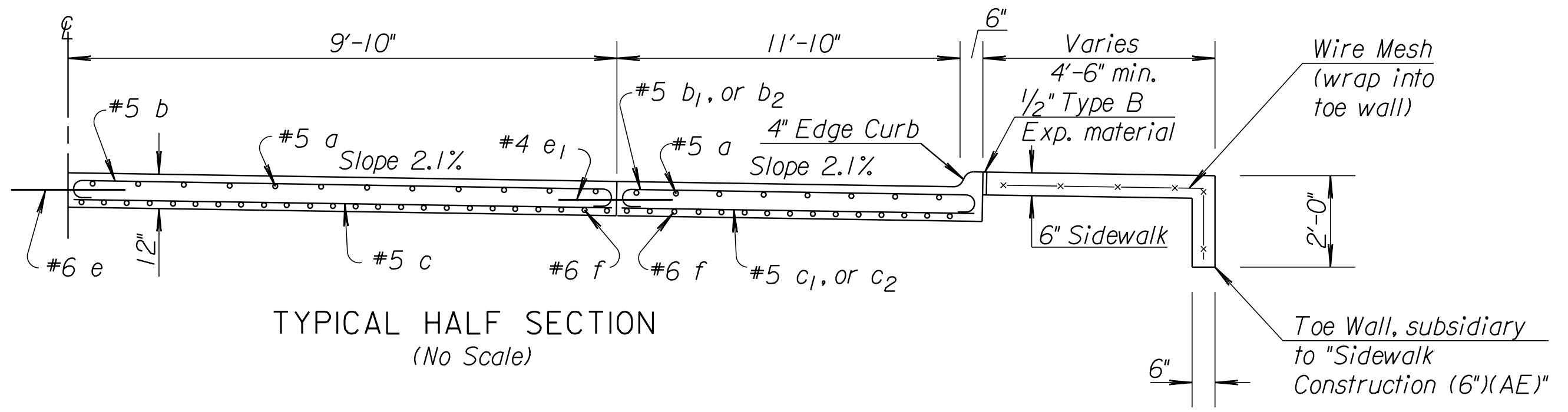
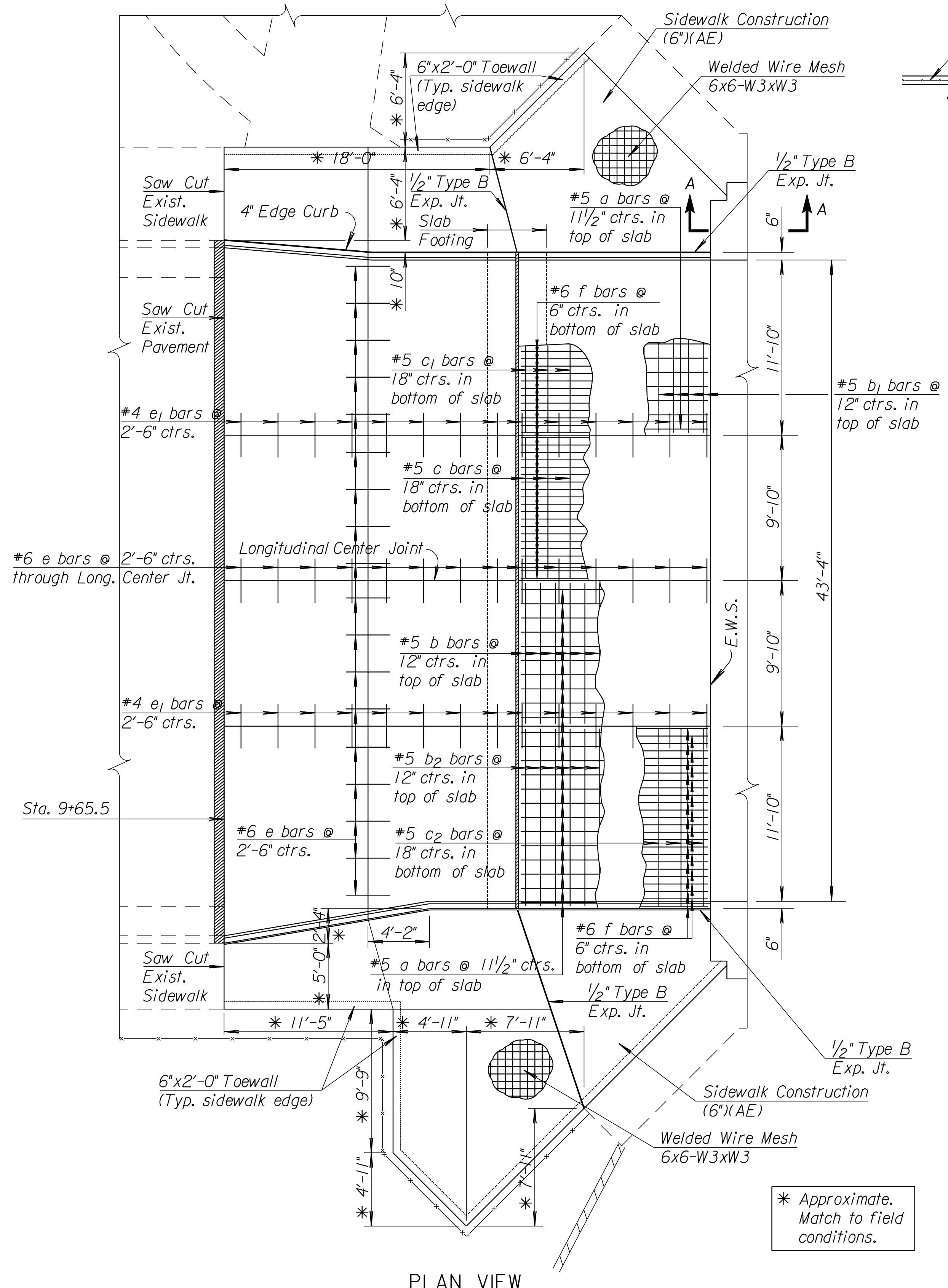
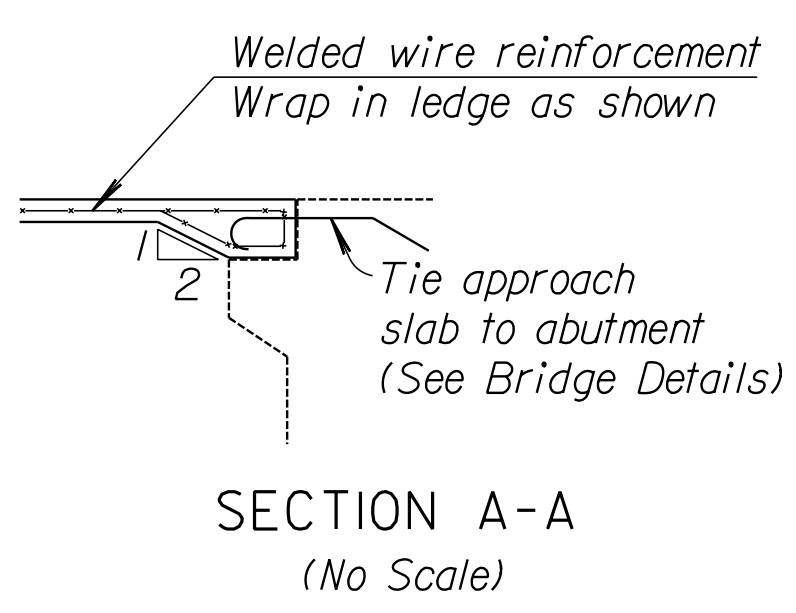
All reinforcing steel shall be epoxy coated.

See Sh. #4 for details of joints, welded wire reinforcement, and edge curb.

Clearance from the face of concrete for all reinforcing steel shall be 2 inches.

Standard reinforcing bar hooks in accordance with the latest ACI specifications shall be used throughout.

The pressure relief joint shall be omitted when the concrete bridge approach pavement abuts bituminous pavement.



Note: All dimensions are out to out on bars, unless noted otherwise.

BILL OF MATERIALS										
Bar Schedule										
Bar No.	a	b	b1	b2	c	c1	c2	e	e1	f
46	26	13	13	18	9	9	32	28	90	
Size	#5	#5	#5	#5	#5	#5	#5	#6	#4	#6
Length	12'-8"	10'-8"	13'-2"	13'-2"	9'-6"	12'-0"	12'-0"	3'-0"	3'-0"	13'-4"
Reinforcing Steel (Grade 60)										3,660 lbs.
Concrete Pavement (12" Unif.)(AE)										163.5 Sq. Yds.
Expansion Joint										44.33 Lin. Ft.
Pressure Relief Joint										47.5 Lin. Ft.
Sidewalk Construction (6")(AE)										71.5 Sq. Yds.
Bridge Approach Slab Footing										13.1 Cu. Yds.
Subgrade (Crushed Stone)(6")										235.0 Sq. Yds.
Geogrid Reinforcement (For Base)										235.0 Sq. Yds.

Note: Quantities listed for west approach slab only. See "Concrete Bridge Approach Pavement East Approach" sheet for east approach slab quantities. Reinforcing steel, joint lengths and geogrid reinforcement shown for information only.

See Sh. #3 for East Approach Pavement.

NO.	DATE	REVISIONS	BY	APP'D
6	4-6-05	Revised reinforcing callout	S.W.K.	J.O.B.
5	8-12-03	Ext. edge curb and taper to 13'-0", added slab footing.	S.W.K.	J.O.B.
4	7-14-98	Omit press. rel. jt. for bit. pvt.	R.J.S.	J.O.B.

KANSAS DEPARTMENT OF TRANSPORTATION

**CONCRETE BRIDGE APPROACH PAVEMENT WEST APPROACH**

RD713

FHWA APPROVAL	6-13-05	APP'D.	James O. Brewer
DESIGNED	DETAILED	QUANTITIES	TRACED
DESIGN CK.	DETAIL CK.	QUAN. CK.	TRACE CK.

Drawn By: Plotted: 10/9/2007  
 File: K:\5750A\CADD\SHS\STANDARDS\13\THRD713W.dgn