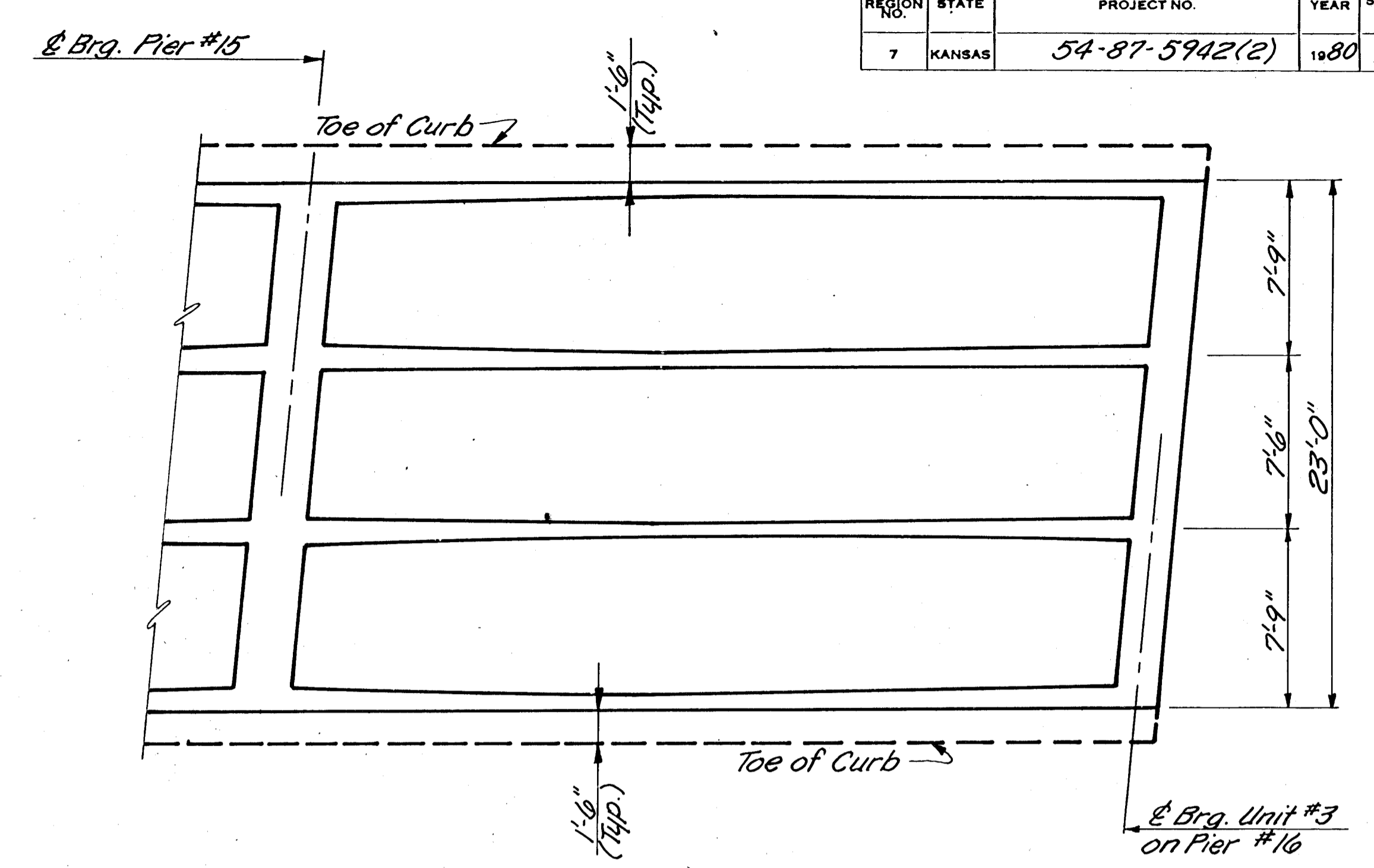
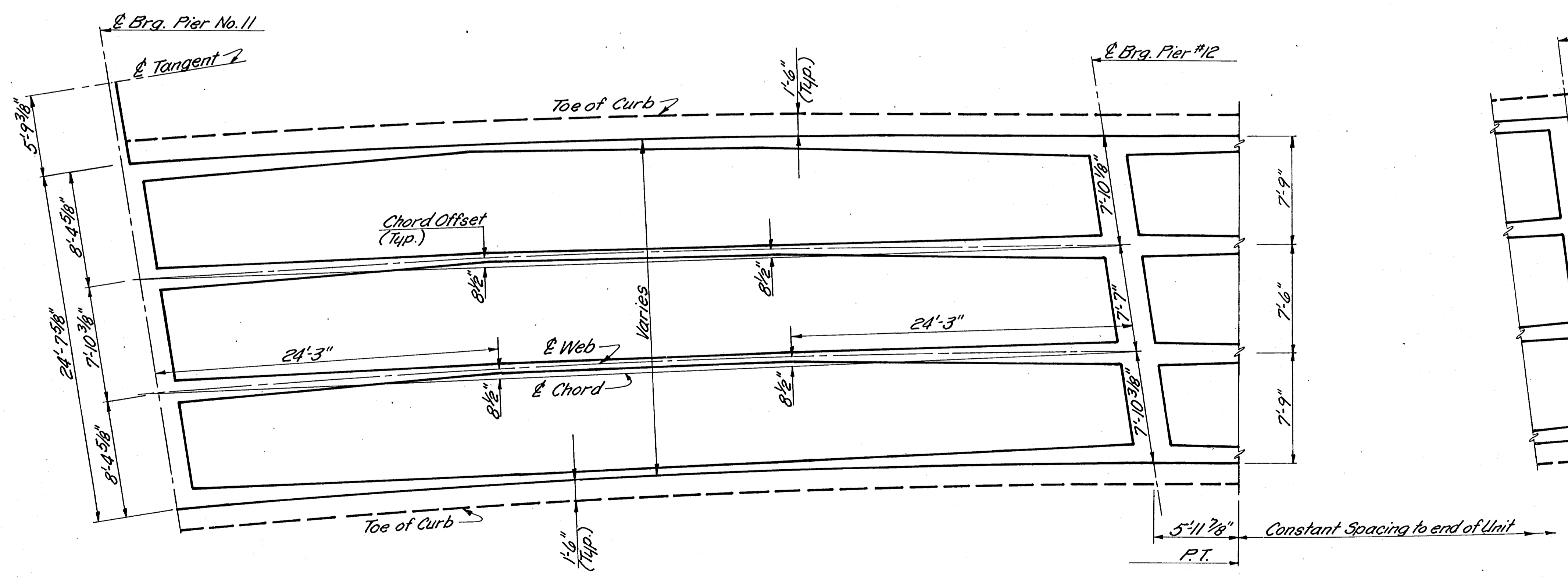


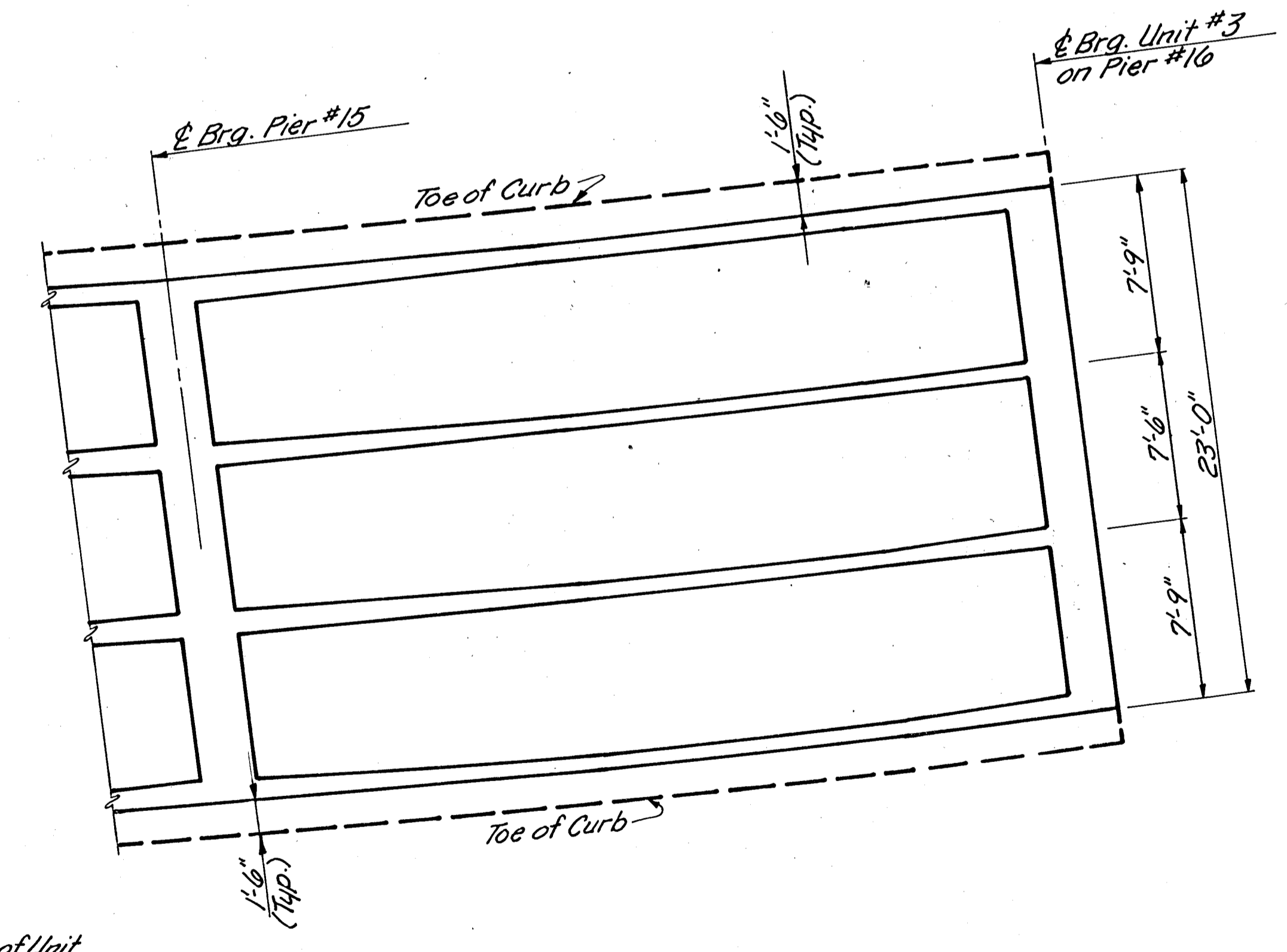
UNIT NO. 3 WEST BOUND SPANS #3 THRU #7



Bridge Unit #3 on Pier #16



UNIT NO. 3 EASTBOUND SPANS #3 THRU #7



Bridge Unit #3 on Pier #16

Note: Minimum web thickness:  
 Interior Girder = 7 1/2"  
 Exterior Girder = 6 1/2"  
 Maximum web thickness:  
 Interior Girder = 18"  
 Exterior Girder = 15"

3					
2					
1					
NO.	DATE	REVISIONS	BY	APP'D	
KANSAS DEPARTMENT OF TRANSPORTATION Br. No. 54-87-25.80 Bridge Repair UNIT NO. 3 WEB LAYOUT					
Proj. No. 54-87-5942(2) Sedgwick Co.					
SHEET NO. 15 OF 32	SCALE	APP'D	QUANTITIES	TRACED	
DESIGNED RAM	DETAILED MAL	QUAN. CK. RAM	TRACE CK.		