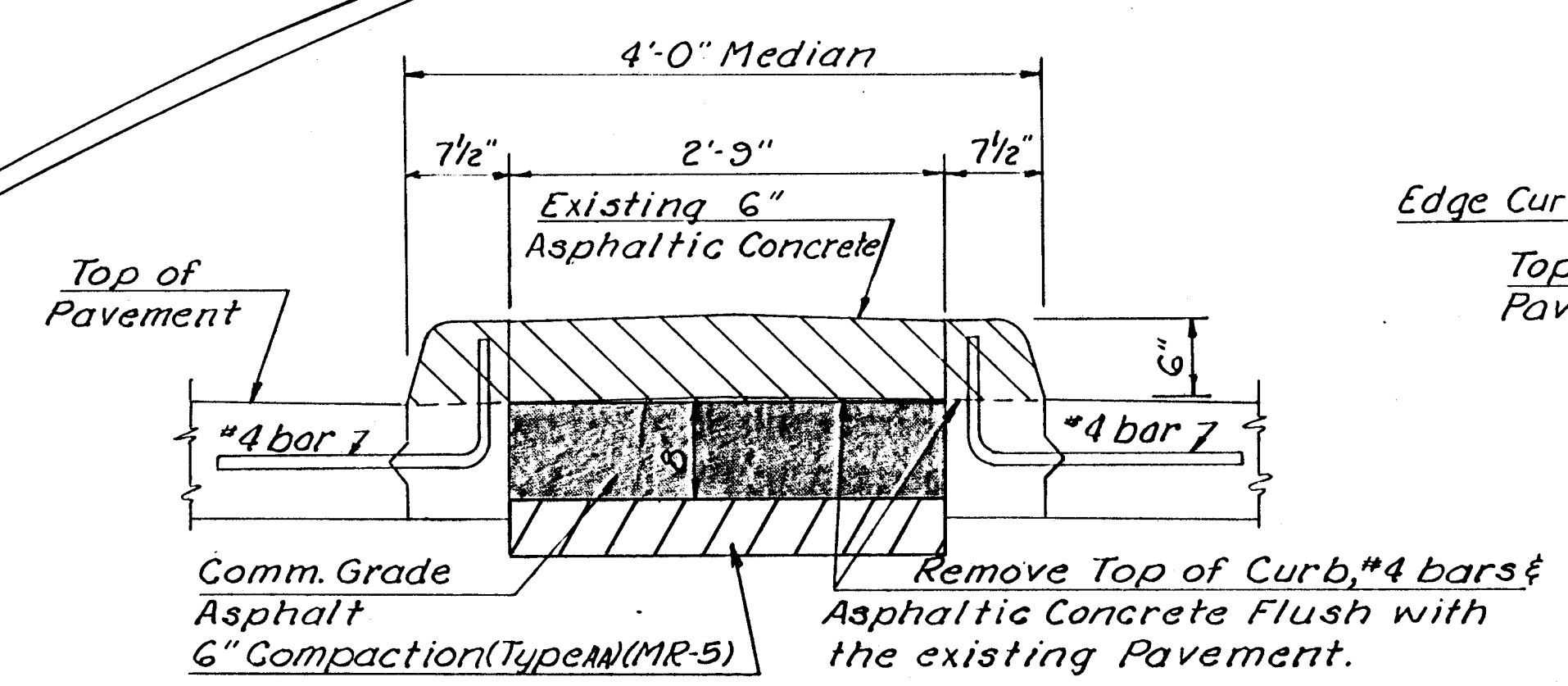
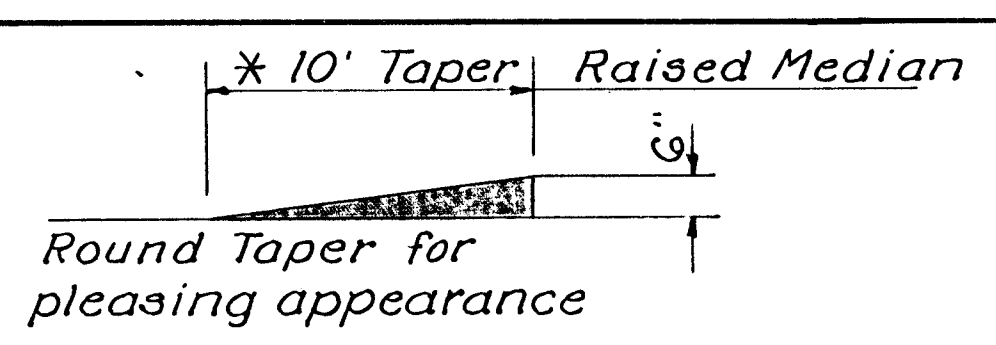
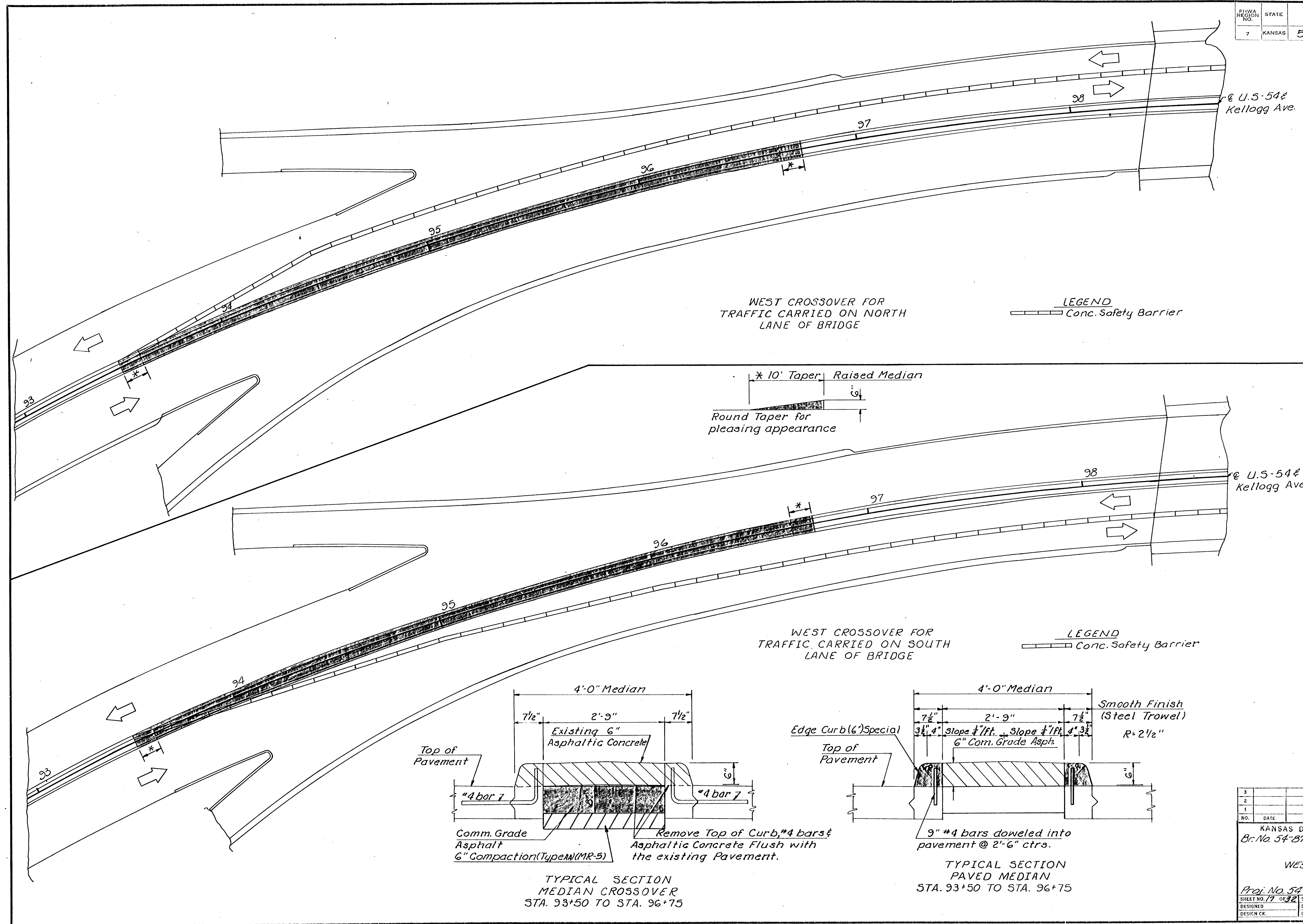
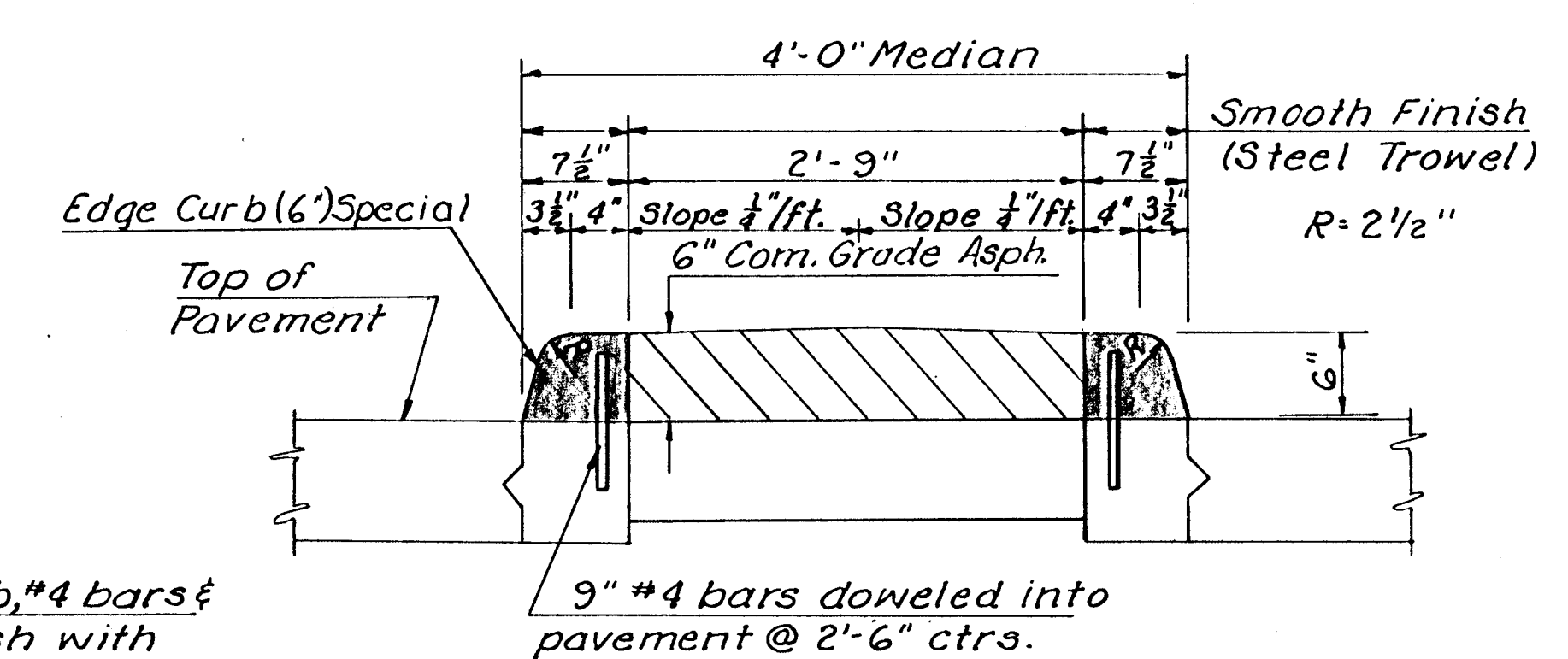


FWA REGION NO.	STATE	PROJECT NO.	YEAR	SHEET NO.	TOTAL SHEETS
7	KANSAS	54-87-5942(2)	1980	17	32



TYPICAL SECTION
MEDIAN CROSSOVER
STA. 93+50 TO STA. 96+75



TYPICAL SECTION
PAVED MEDIAN
STA. 93+50 TO STA. 96+75

NO.	DATE	REVISIONS	BY	APP'D
3				
2				
1				

KANSAS DEPARTMENT OF TRANSPORTATION
Br. No. 54-87-25.80 Bridge Repair

WEST CROSSOVERS

Proj. No. 54-87-5942(2) Sedawick Co.

SHEET NO. 17 OF 32 SCALE 1" = 20' APP'D

DESIGNED	QUANTITIES	TRACED	APP'D
DESIGN CK.	DETAIL CK.	QUAN. CK.	TRACE CK.