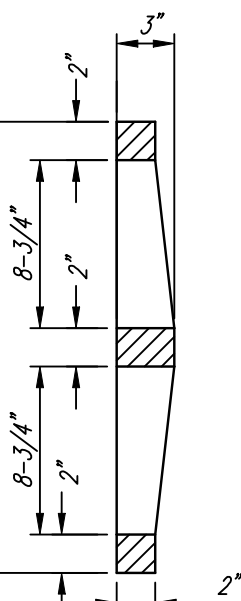
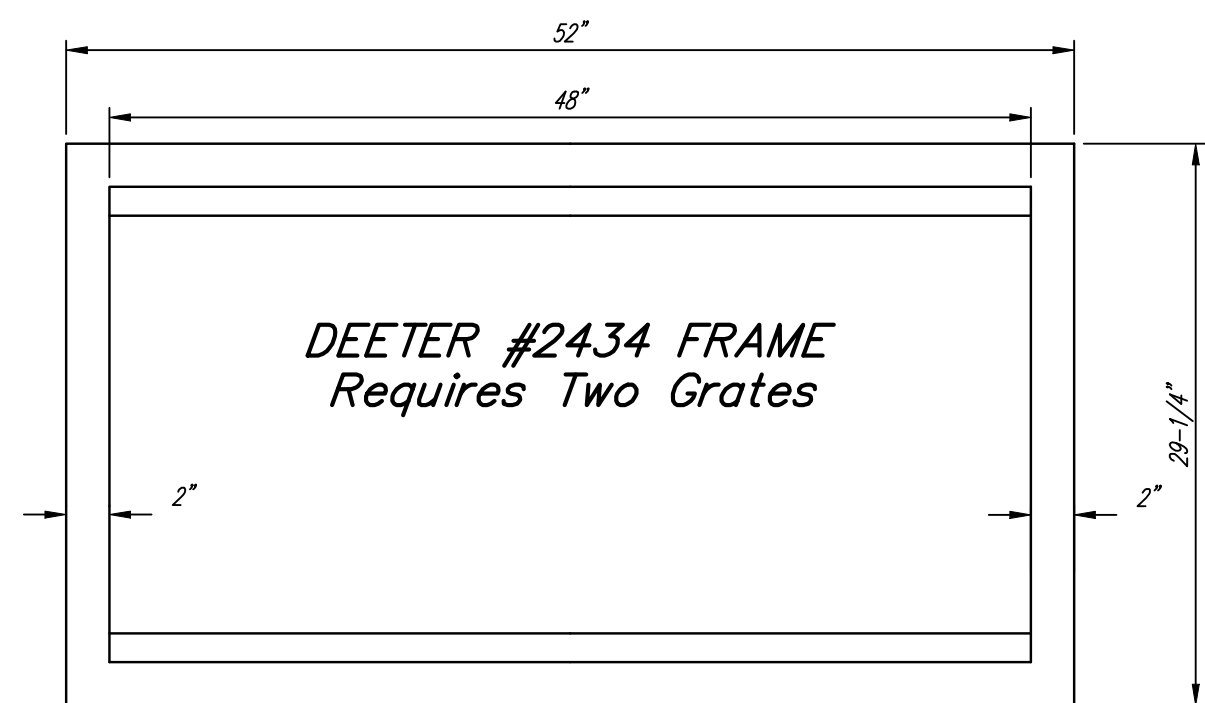


DEETER #2433 GRATE

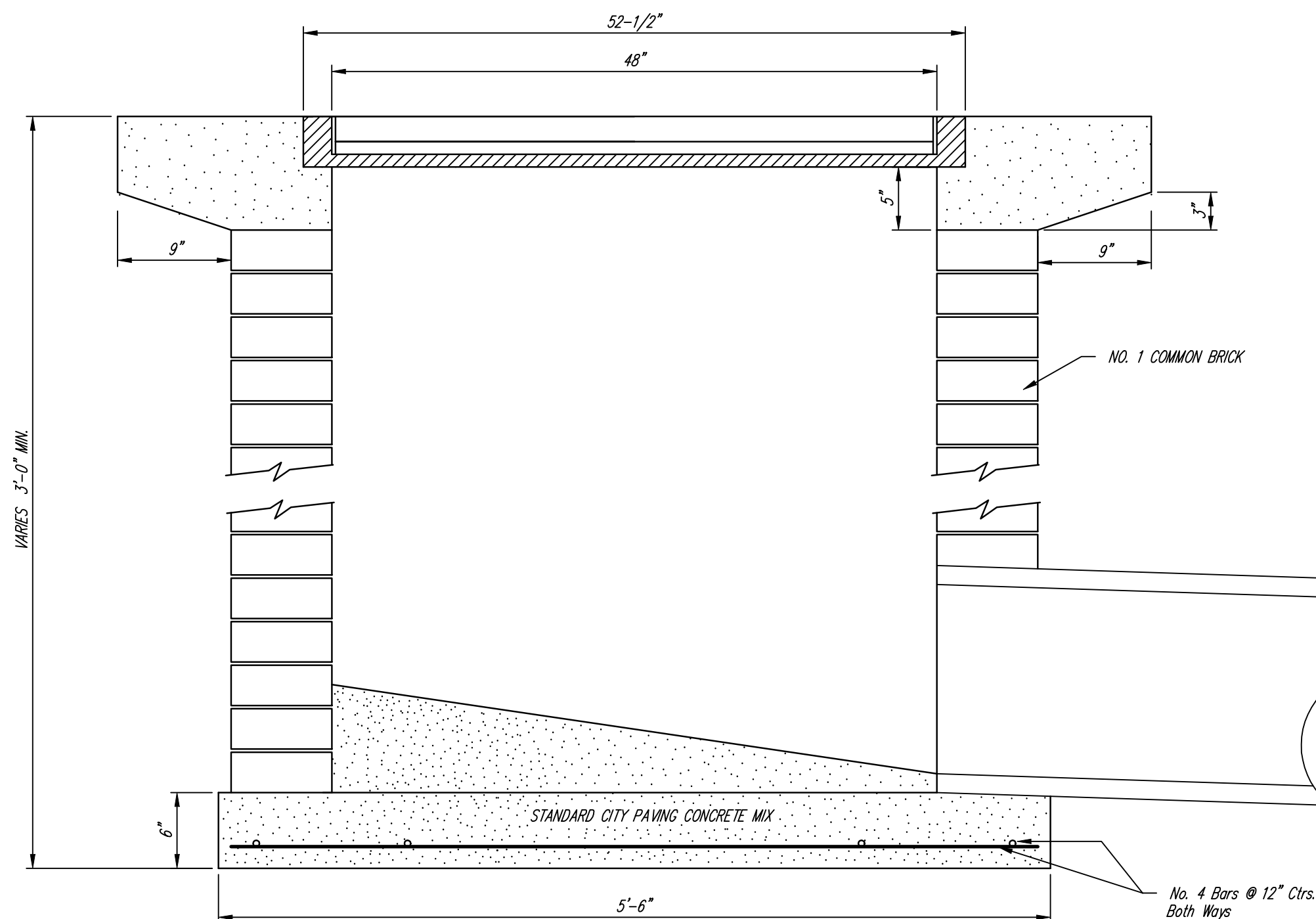
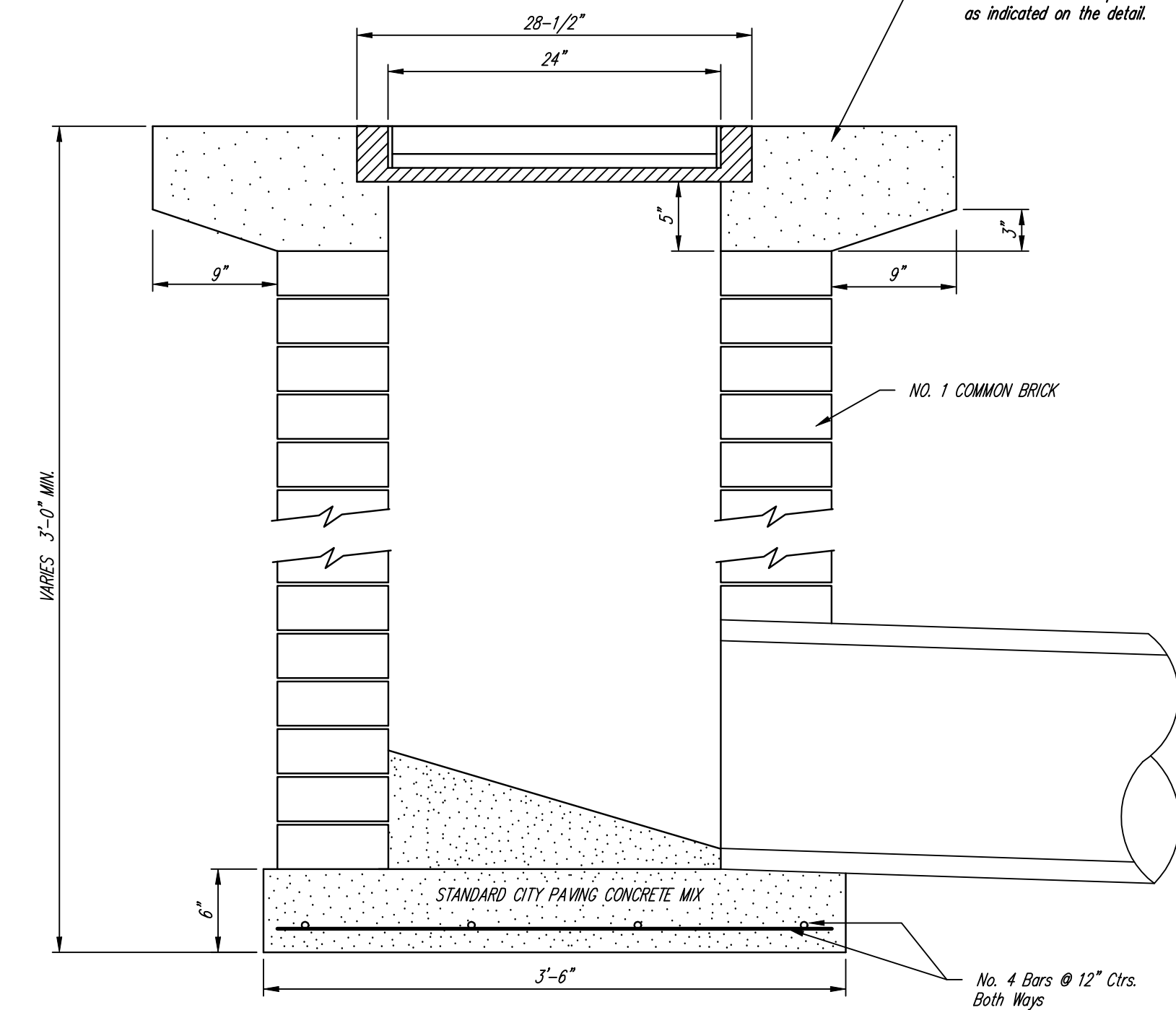
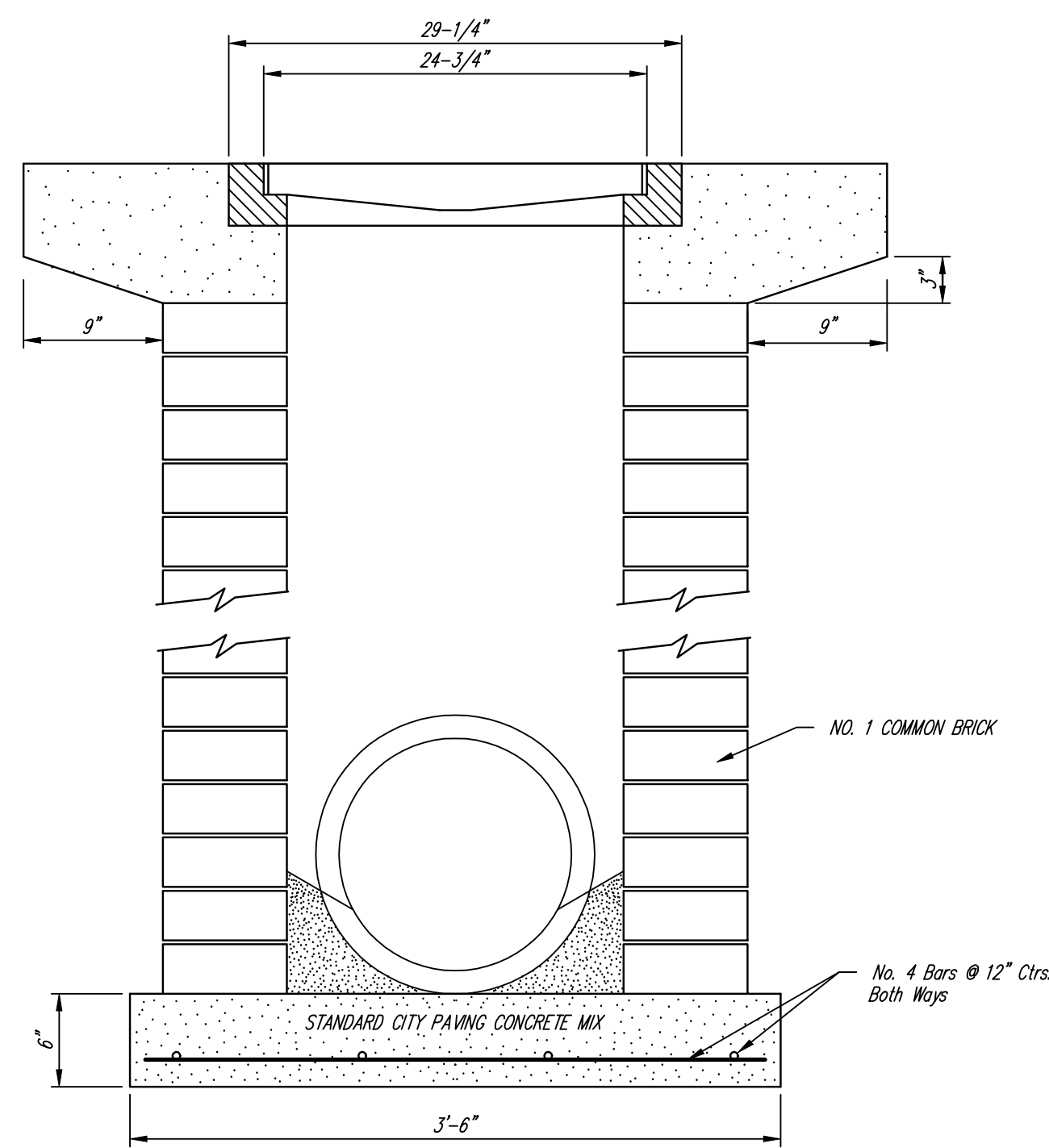
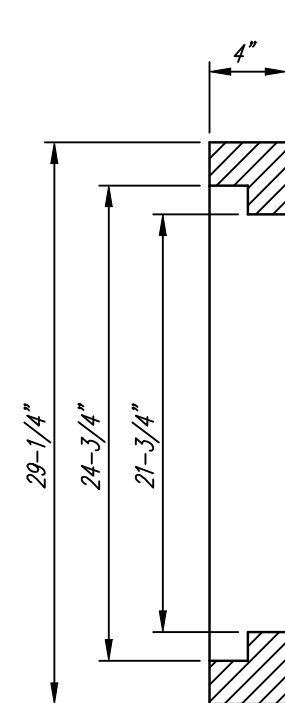
24" x 24" Frame and Grate Detail



NOTE: Grates shall be imprinted on the top surface with "CITY OF WICHITA" using letters at least 1" in height. Other marking methods may be approved by the engineer.



Double 24" x 24" Frame Detail



	City of Wichita Standard	
	Drop Inlet Detail	
Baughman Company, P.A. 315 Ellis St. Wichita, KS 67211 F316262-7271 F316262-0149		
ENGINEERING SURVEYING PLANNING LANDSCAPE ARCHITECTURE		
PROJECT NUMBER 468-84446	DESIGN C.O.W.	DRAWN STAFF
REVISIONS:	APPROVED	DATE 11/07
	SCALE NONE	
	SHEET	14 OF 26