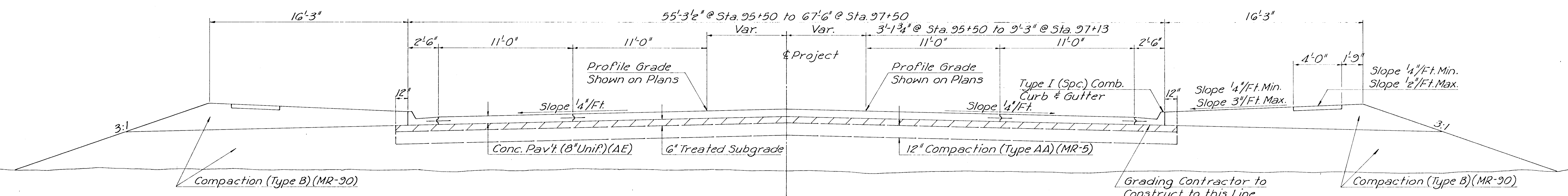
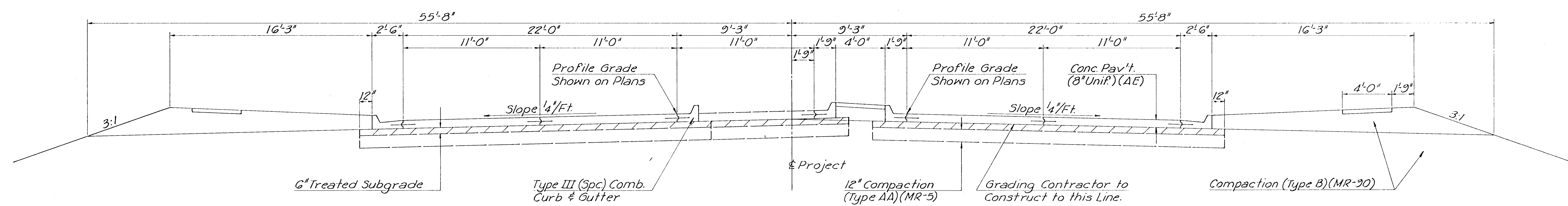


TYPICAL SECTION STA. 94+66 TO STA. 95+50



TYPICAL SECTION STA. 95+50 TO STA. 97+50



TYPICAL SECTION STA. 97+50 TO STA. 98+46.12

APP.  
 CKD.  
 TR.  
 DK.  
 DES.  
 PLOT.  
 SURV.

CITY OF WICHITA	
MAPLE STREET BRIDGE	
TYPICAL SECTIONS I	
CITY OF WICHITA PROJ. NO. 472-68-245-8/19-000-000-001	
<b>Booker/Freund</b>	
Engineers	Architects
Planners	
SCALE	DATE
	DWG. NO. K-9280-03