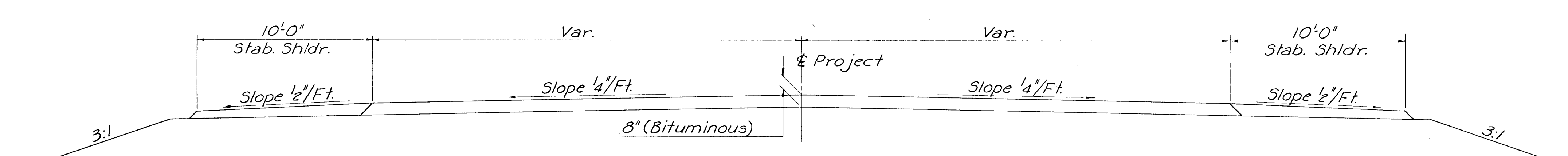
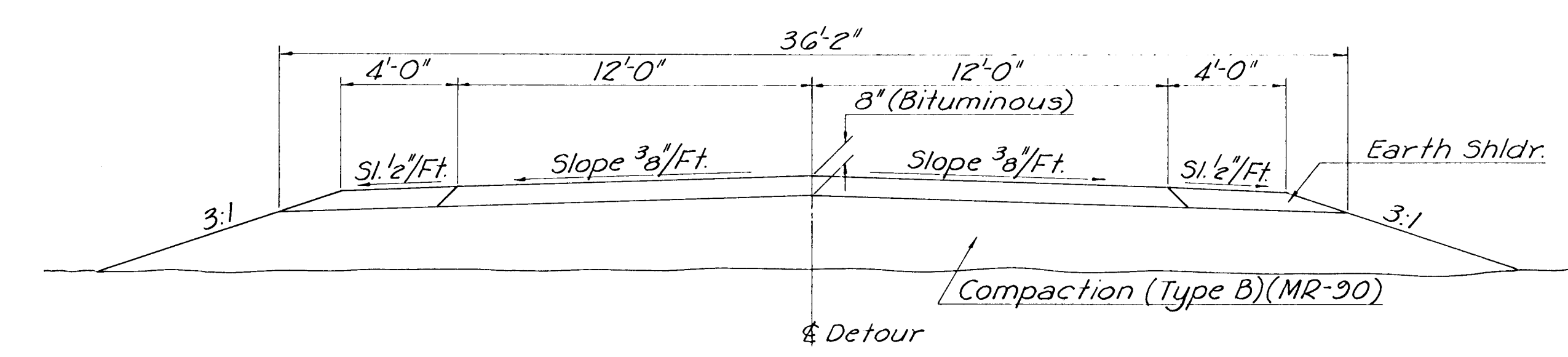


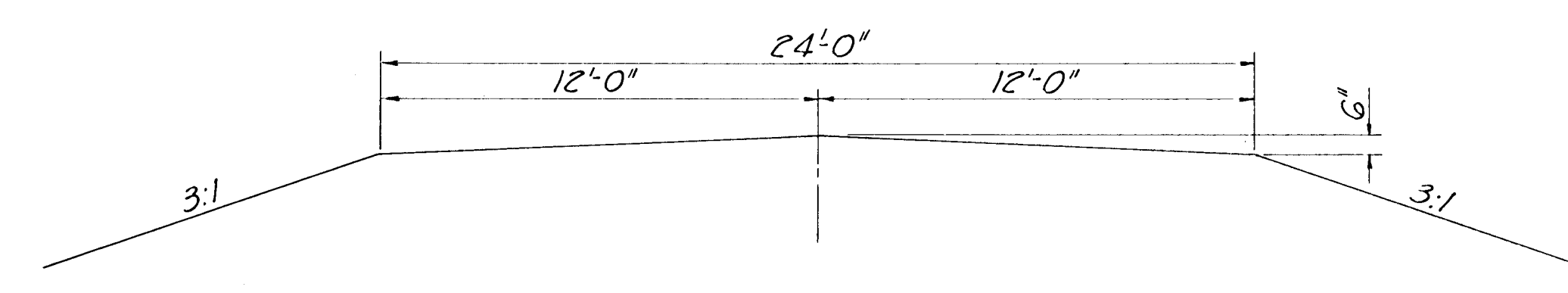
TYPICAL SECTION STA. 108+15.18 TO STA. 110+73



TYPICAL SECTION STA. 110+73 TO STA. 113+00



TYPICAL DETOUR SECTION



TYPICAL SECTION CARLTON DRIVE

APP.
CKD.
TR.
DR.
DES.
PLOT.
SURV.

CITY OF WICHITA	
MAPLE STREET BRIDGE	
TYPICAL SECTIONS II	
CITY OF WICHITA PROJ. NO. 472-68-245-81719-000-000-001	
Booker/Freund	
Engineers	Architects
Planners	
SCALE	DATE
	DWG. No. K-9280-03