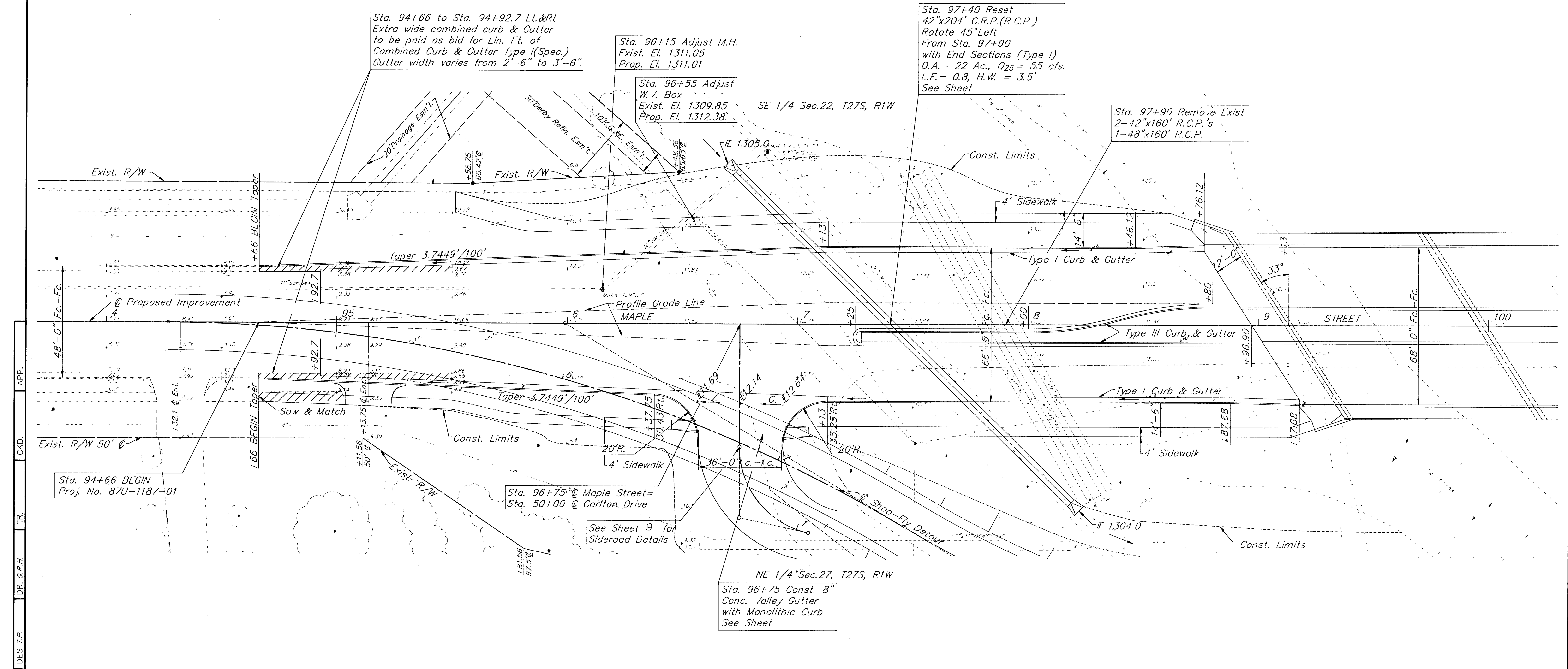
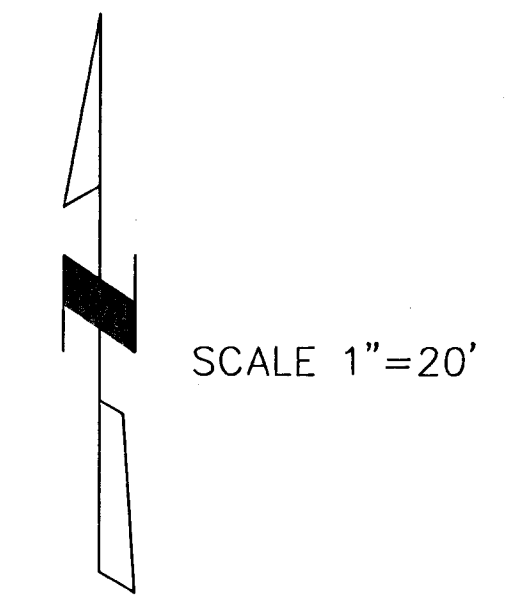


FHWA REGION NO.	STATE	PROJECT NO.	YEAR	SHEET NO.	TOTAL SHEETS
7	KANSAS	87U-1187-01	1988	4	34

P.O.T. Sta. 95+00
 Chis. "L" Concrete Nail on Sec. Line
 30.8'SSW to Top TJB
 126.3'WNW to Nail & Cap in LP
 54.25'NE to Center of Storm Sewer MH



APP. CKD. TR. DR. G.R.H. DES. T.P. SURV. D.V. & D.2. PLOT CADD

Sta. 94+66 BEGIN
 Proj. No. 87U-1187-01

Sta. 96+75 @ Maple Street =
 Sta. 50+00 @ Carlton Drive

See Sheet 9 for
 Sideroad Details

NE 1/4 Sec. 27, T27S, R1W
 Sta. 96+75 Const. 8"
 Conc. Valley Gutter
 with Monolithic Curb
 See Sheet

BM#5-Chis. "L" NW Cor. Bridge
 Sta. 99+06.5, 14.4' Lt. El. 1317.27

CITY OF WICHITA	
MAPLE STREET BRIDGE	
PLAN I	
CITY OF WICHITA PROJ. NO. 472-76-245-81719-000-001	
BOOKER / FREUND	
Engineers	Architects
Planners	
SCALE 1"=20'	DATE
	DWG. NO. K-9280-01