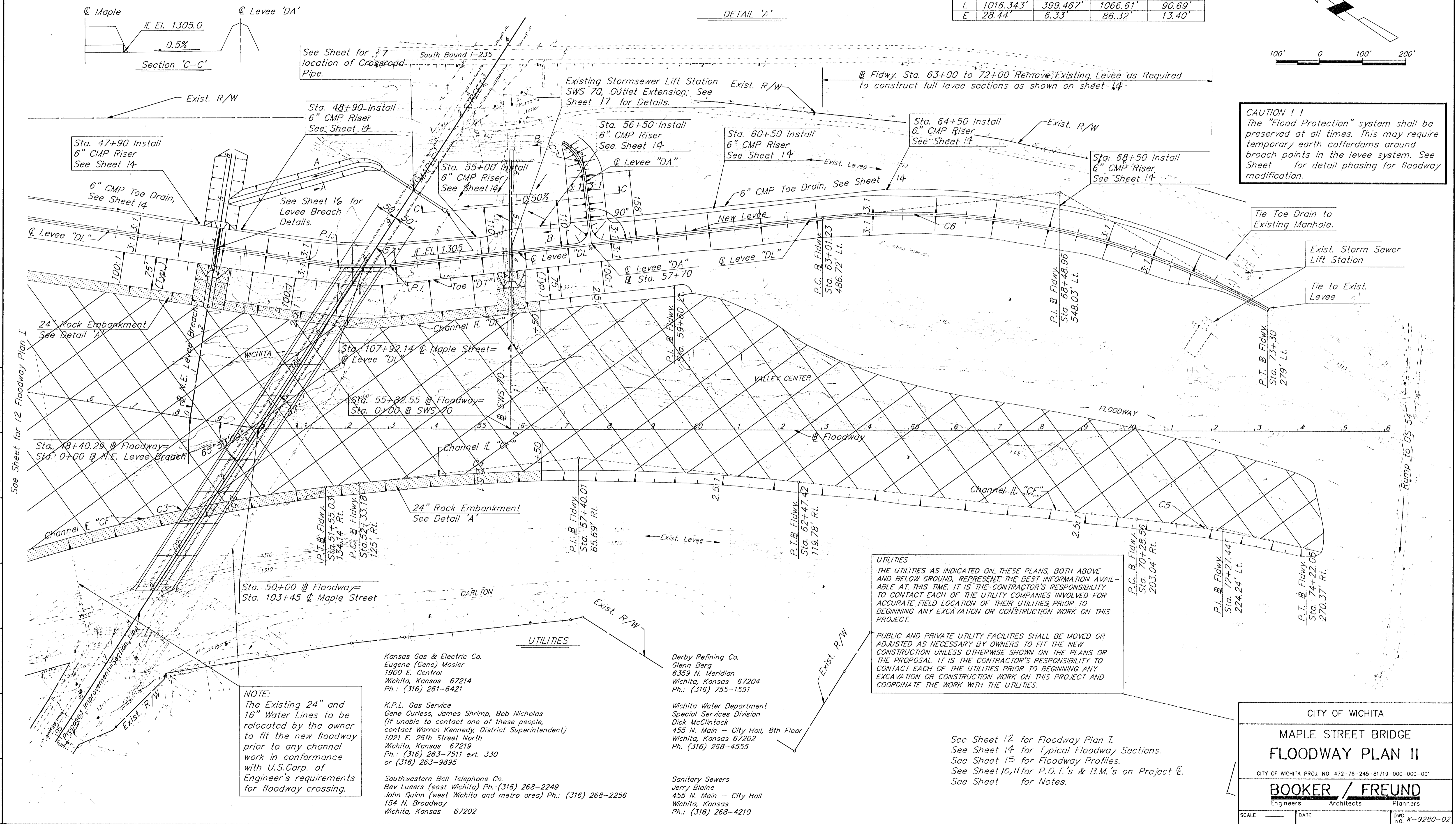
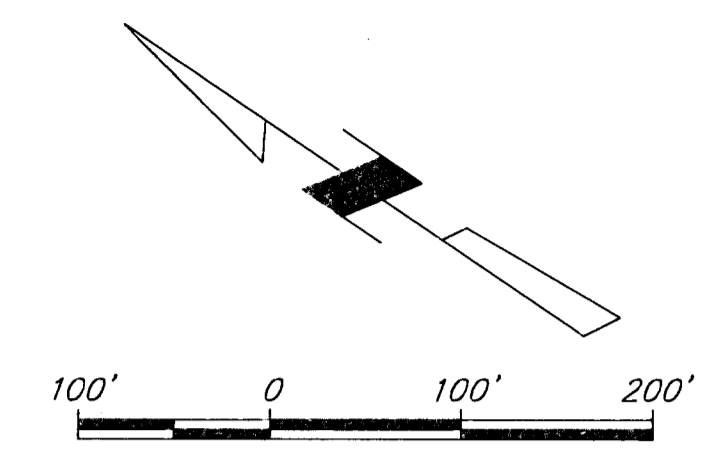


#	C4	C5	C6	C7
Δ	12°45'29.8"	7°15'02.8"	35°36'12.1"	60°
D	1°15'19.1"	1°48'54.4"	3°20'16.7"	66°09'34"
T	510.282'	200.0'	551.156'	50.00'
R	4564.267'	3156.581'	1716.478'	86.60'
L	1016.343'	399.467'	1066.61'	90.69'
E	28.44'	6.33'	86.32'	13.40'

FHWA REGION NO.	STATE	PROJECT NO.	YEAR	SHEET NO.	TOTAL SHEETS
7	KANSAS	87 U-1187-01	198	13	34



CAUTION !!
 The "Flood Protection" system shall be preserved at all times. This may require temporary earth cofferdams around breach points in the levee system. See Sheet for detail phasing for floodway modification.

UTILITIES
 THE UTILITIES AS INDICATED ON THESE PLANS, BOTH ABOVE AND BELOW GROUND, REPRESENT THE BEST INFORMATION AVAILABLE AT THIS TIME. IT IS THE CONTRACTOR'S RESPONSIBILITY TO CONTACT EACH OF THE UTILITY COMPANIES INVOLVED FOR ACCURATE FIELD LOCATION OF THEIR UTILITIES PRIOR TO BEGINNING ANY EXCAVATION OR CONSTRUCTION WORK ON THIS PROJECT.

PUBLIC AND PRIVATE UTILITY FACILITIES SHALL BE MOVED OR ADJUSTED AS NECESSARY BY OWNERS TO FIT THE NEW CONSTRUCTION UNLESS OTHERWISE SHOWN ON THE PLANS OR THE PROPOSAL. IT IS THE CONTRACTOR'S RESPONSIBILITY TO CONTACT EACH OF THE UTILITIES PRIOR TO BEGINNING ANY EXCAVATION OR CONSTRUCTION WORK ON THIS PROJECT AND COORDINATE THE WORK WITH THE UTILITIES.

NOTE:
 The Existing 24" and 16" Water Lines to be relocated by the owner to fit the new floodway prior to any channel work in conformance with U.S.Corp. of Engineer's requirements for floodway crossing.

Kansas Gas & Electric Co.
 Eugene (Gene) Mosier
 1900 E. Central
 Wichita, Kansas 67214
 Ph.: (316) 261-6421

K.P.L. Gas Service
 Gene Curless, James Shrimp, Bob Nicholas
 (if unable to contact one of these people, contact Warren Kennedy, District Superintendent)
 1021 E. 26th Street North
 Wichita, Kansas 67219
 Ph.: (316) 263-7511 ext. 330
 or (316) 263-9895

Southwestern Bell Telephone Co.
 Bev Luers (east Wichita) Ph.: (316) 268-2249
 John Quinn (west Wichita and metro area) Ph.: (316) 268-2256
 154 N. Broadway
 Wichita, Kansas 67202

Derby Refining Co.
 Glenn Berg
 6339 N. Meridian
 Wichita, Kansas 67204
 Ph.: (316) 755-1591

Wichita Water Department
 Special Services Division
 Dick McClintock
 455 N. Main - City Hall, 8th Floor
 Wichita, Kansas 67202
 Ph. (316) 268-4555

Sanitary Sewers
 Jerry Blaine
 455 N. Main - City Hall
 Wichita, Kansas
 Ph.: (316) 268-4210

See Sheet 12 for Floodway Plan I
 See Sheet 14 for Typical Floodway Sections.
 See Sheet 15 for Floodway Profiles.
 See Sheet 10, 11 for P.O.T.'s & B.M.'s on Project E.
 See Sheet for Notes.

CITY OF WICHITA
**MAPLE STREET BRIDGE
 FLOODWAY PLAN II**
 CITY OF WICHITA PROJ. NO. 472-76-245-81713-000-000-001
BOOKER / FREUND
 Engineers Architects Planners
 SCALE _____ DATE _____ DWG. NO. K-9280-02

SURV. PLOT CADD DES. R.G. DR. K.D.O. TR. CKD. APP.