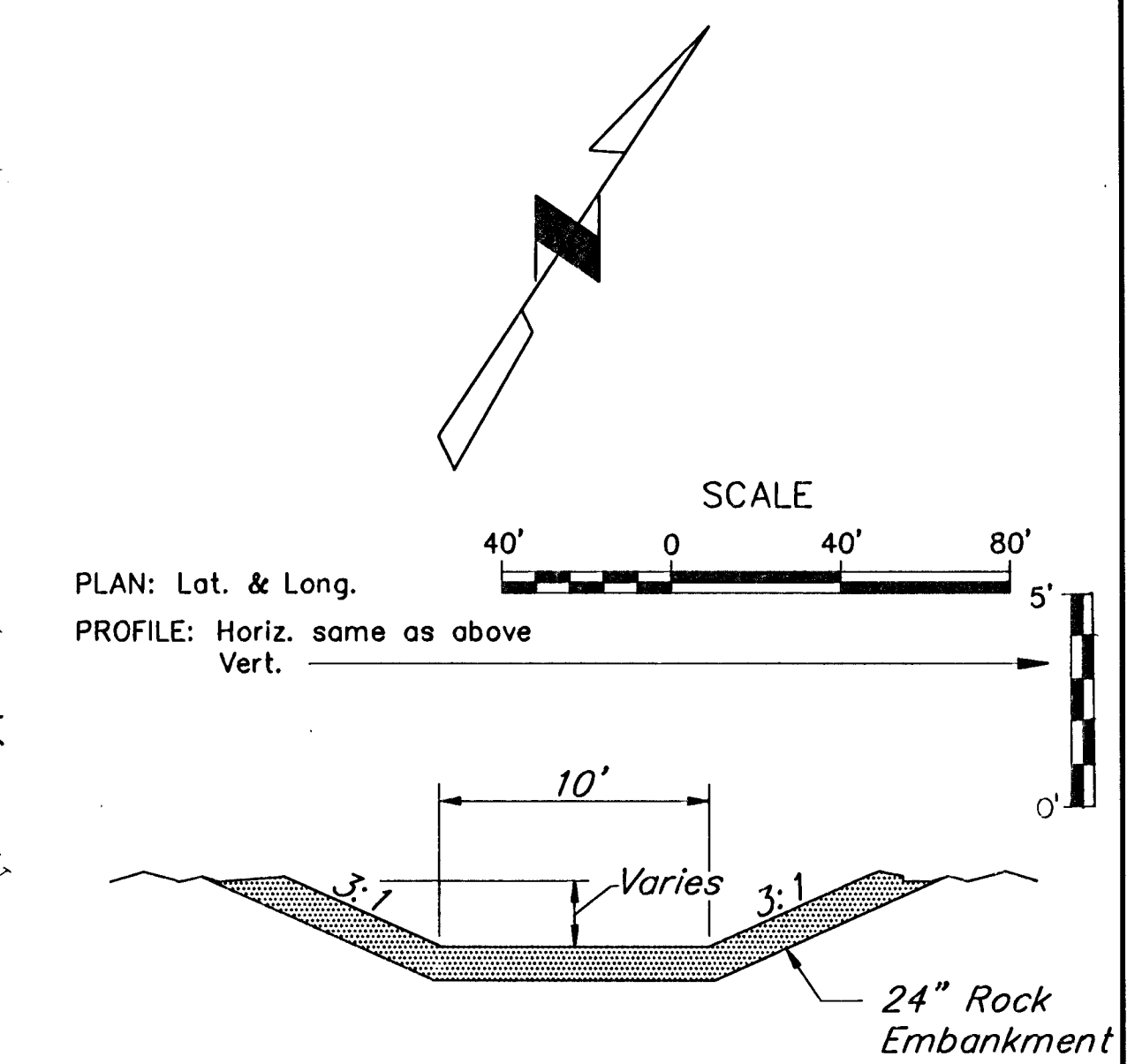
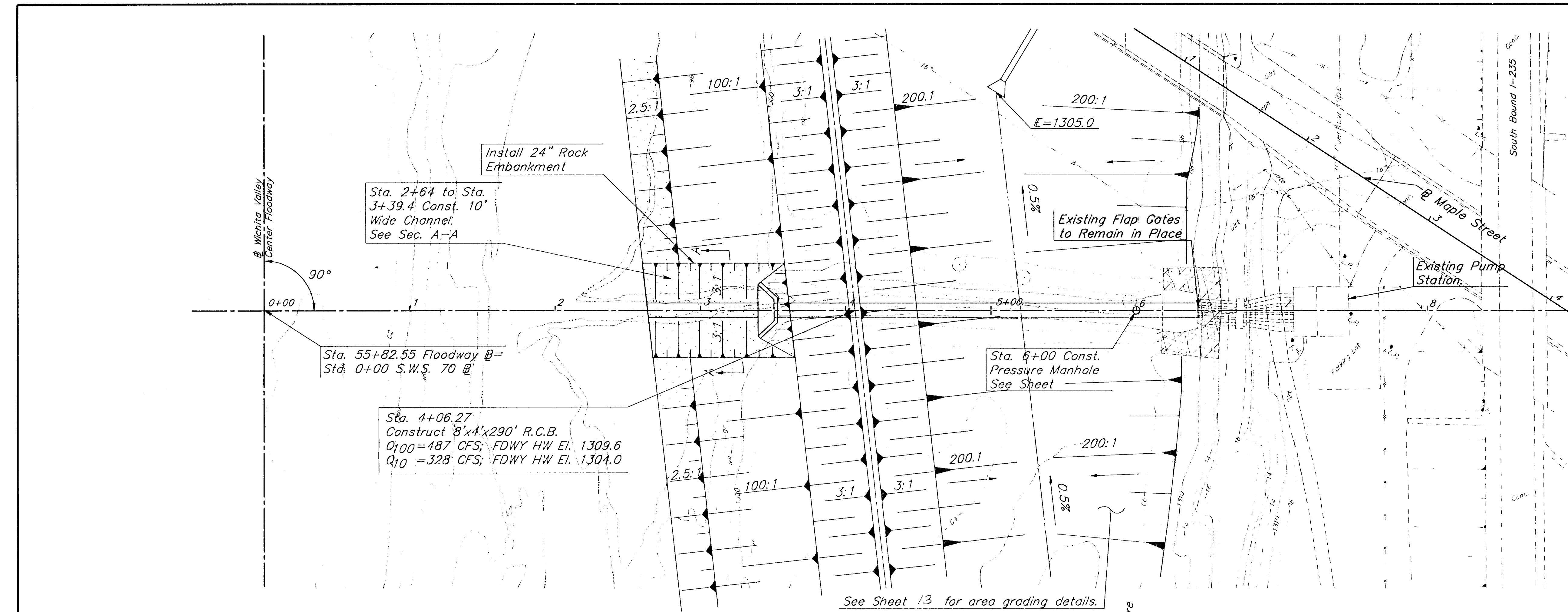
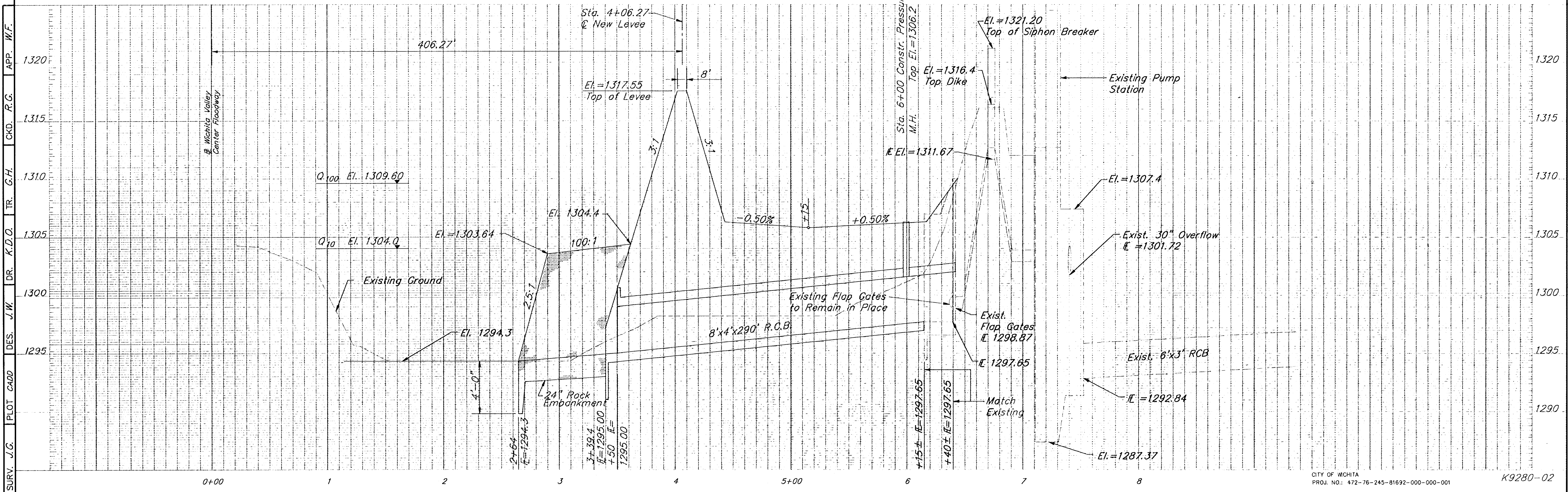


FHWA REGION NO.	STATE	PROJECT NO.	YEAR	SHEET NO.	TOTAL SHEETS
7	KANSAS	87U-1187-01	198	17	34



PLAN: Lot. & Long.  
 PROFILE: Horiz. same as above  
 Vert. 5'

See Sheet for Levee Construction Phasing.  
 See Sheets 12, 13 for Floodway Layout.  
 See Sheet 13 for Utilities.  
 See Sheet 10, 11 for B.M.'s and P.O.T.'s on @ Maple Street.



SURV. J.G. PLOT CADD DES. J.W. DR. K.D.O. TR. G.H. CKD. R.G. APP. W.F.