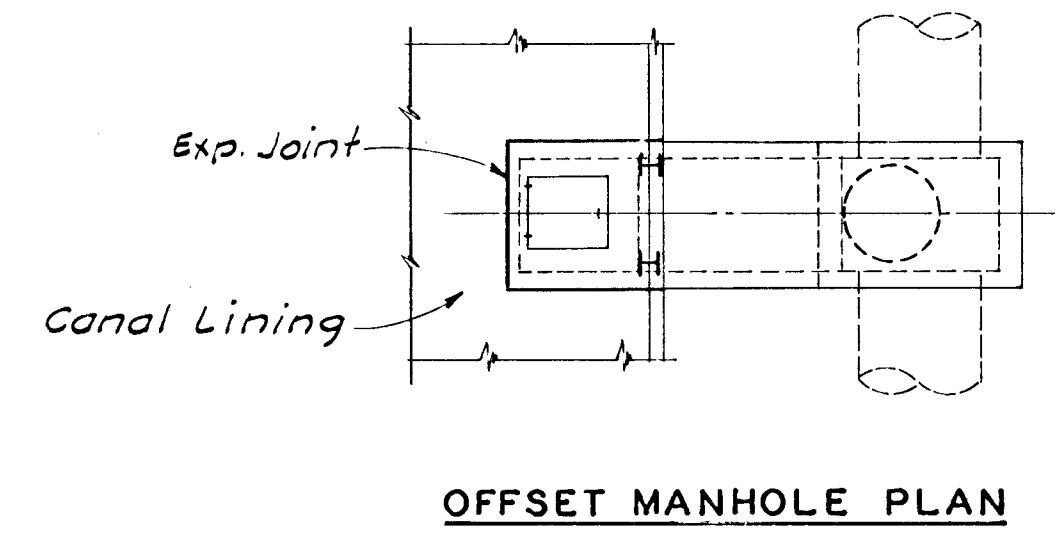
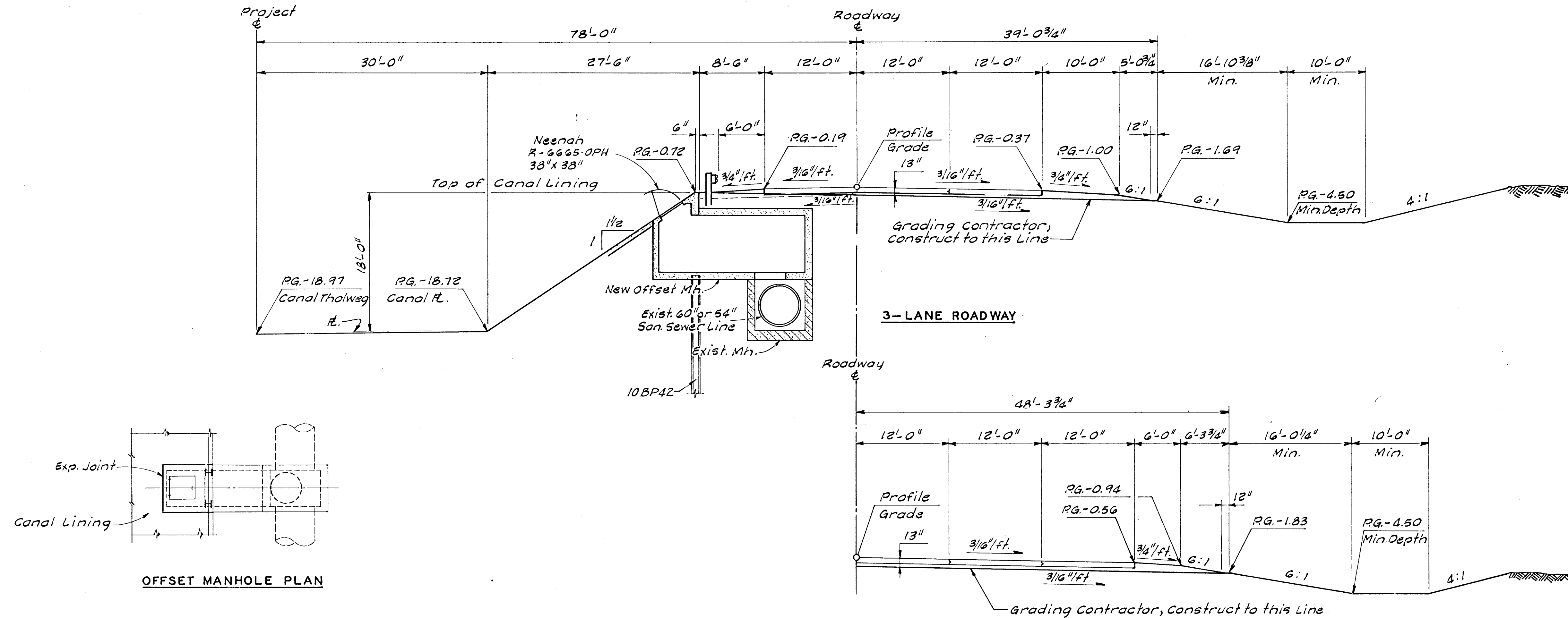


PUB. ROAD DIV. NO.	STATE	PROJECT NO.	FISCAL YEAR	SHEET NO.	TOTAL SHEETS
5	KANSAS	35N-37E-35W-1(33)46	1970	3	229



TYPICAL HALF SECTIONS NORTH OF MT. VERNON
 Scale: 1/8" = 1'-0" Sta. 270+00

3				
2				
1				
NO.	DATE	REVISIONS	BY	APP'D
STATE HIGHWAY COMMISSION OF KANSAS				
TYPICAL SECTIONS MAINLINE				
WILSON & COMPANY ENGINEERS & ARCHITECTS SALINA, KANSAS				
DESIGNED	D.C.T.	TRACED	J.F.B.	CHECKED H.J.B.