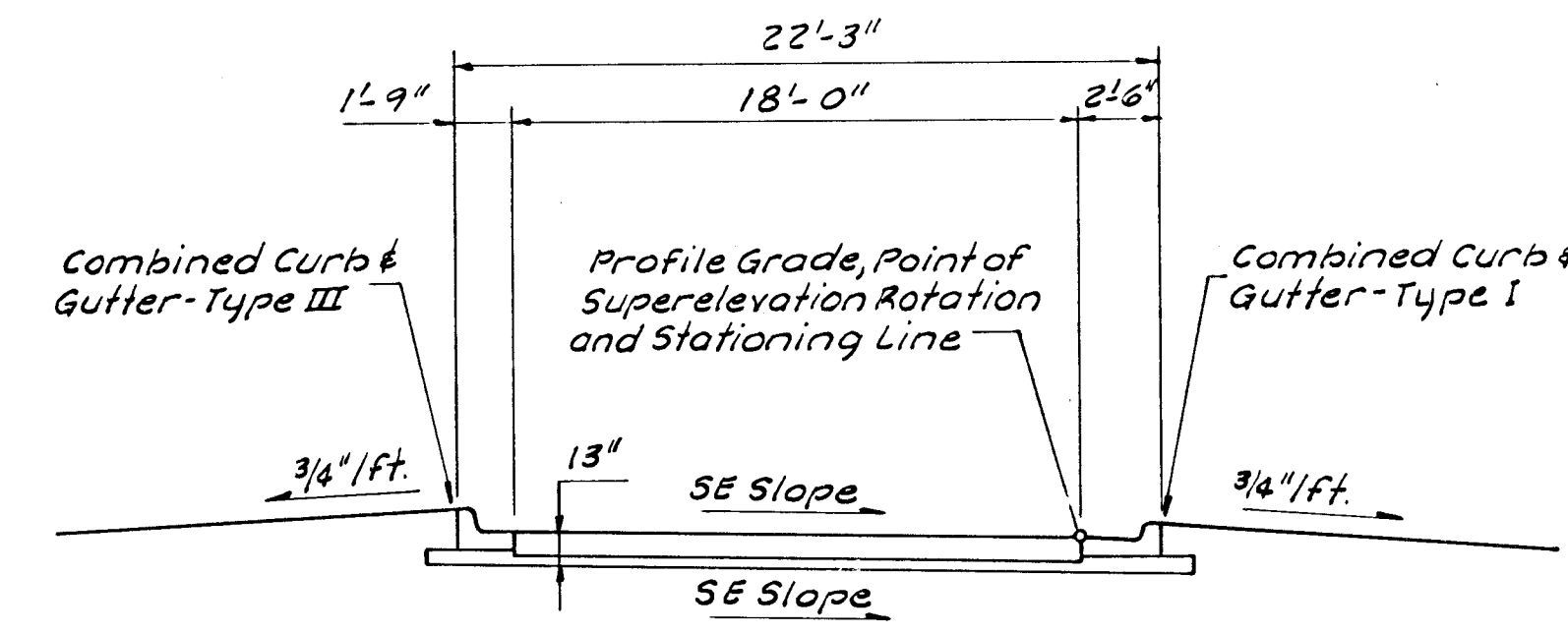
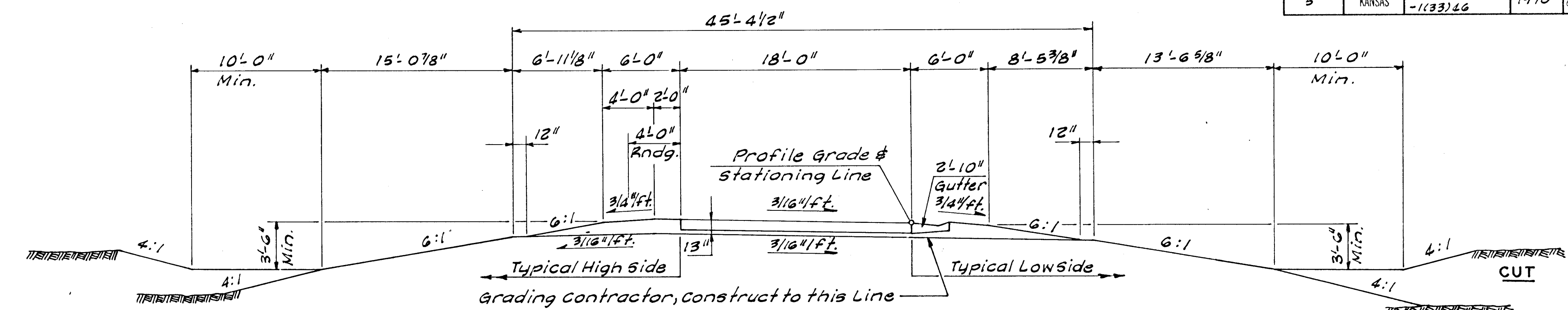


PUB. ROAD DIV. NO.	STATE	PROJECT NO.	FISCAL YEAR	SHEET NO.	TOTAL SHEETS
5	KANSAS	35N-371-35N-1(33)26	1970	6	22

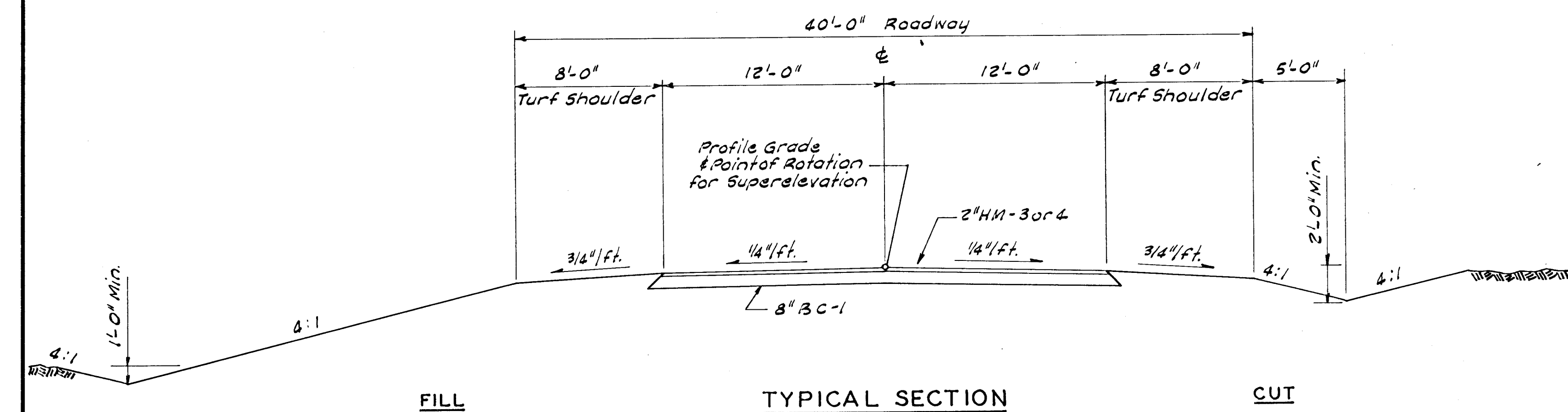


TYPICAL SECTION GROVE STREET RAMPS
Scale: 1"=6'-0"

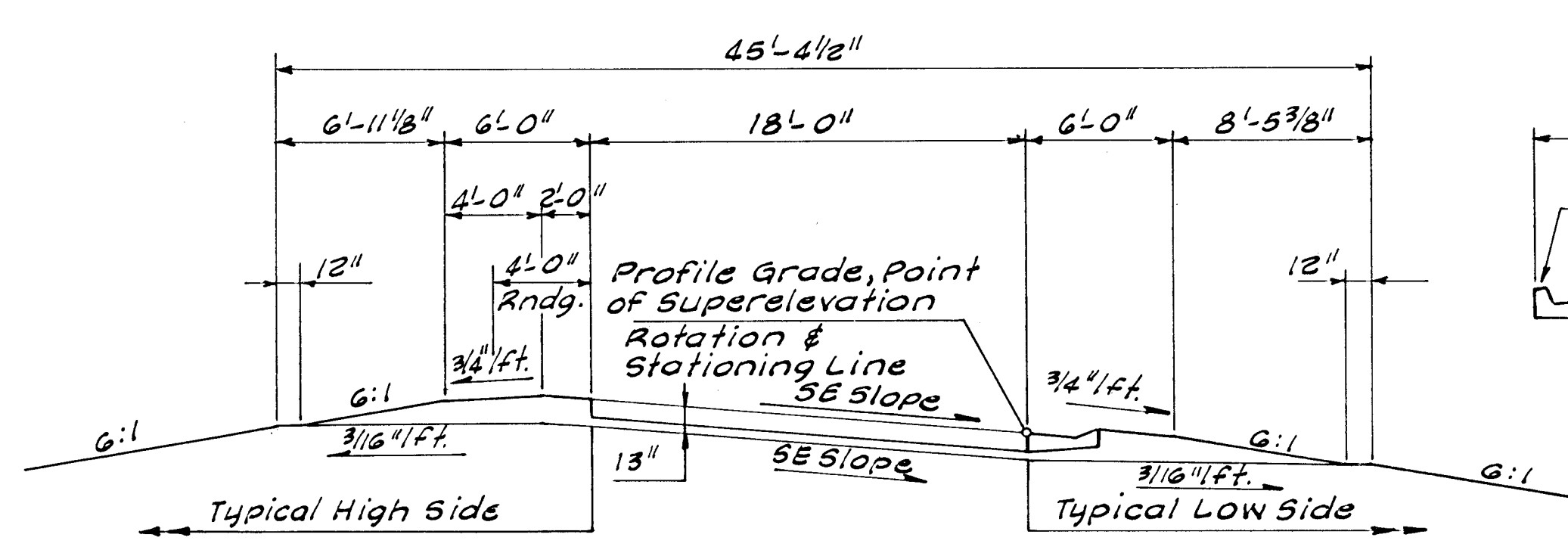


TANGENT 18' RAMP SECTION
Scale: 1"=6'-0"

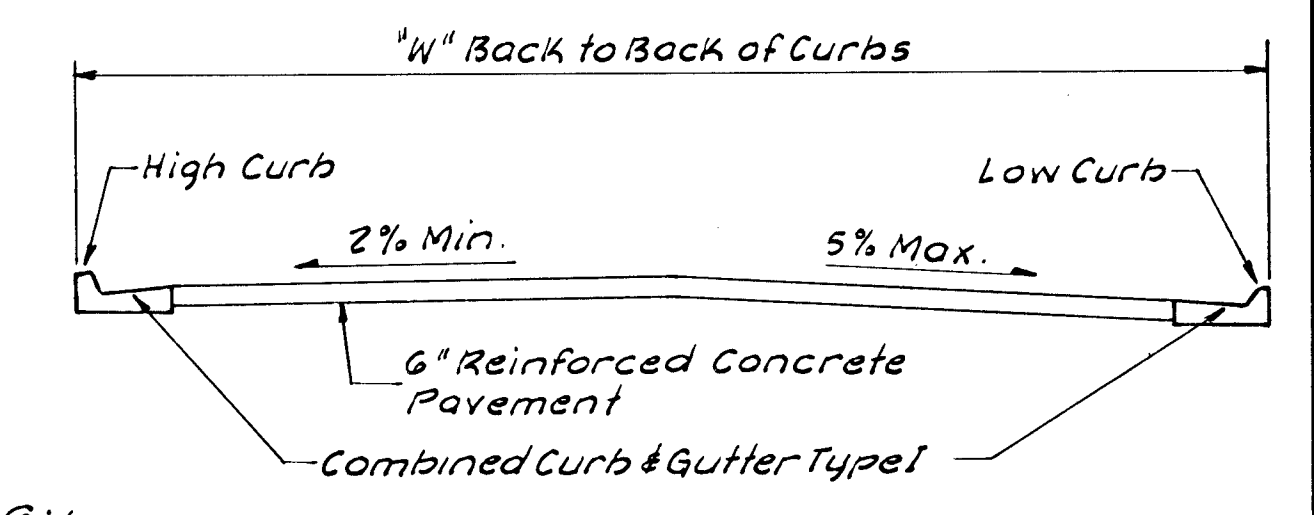
CUT FILL



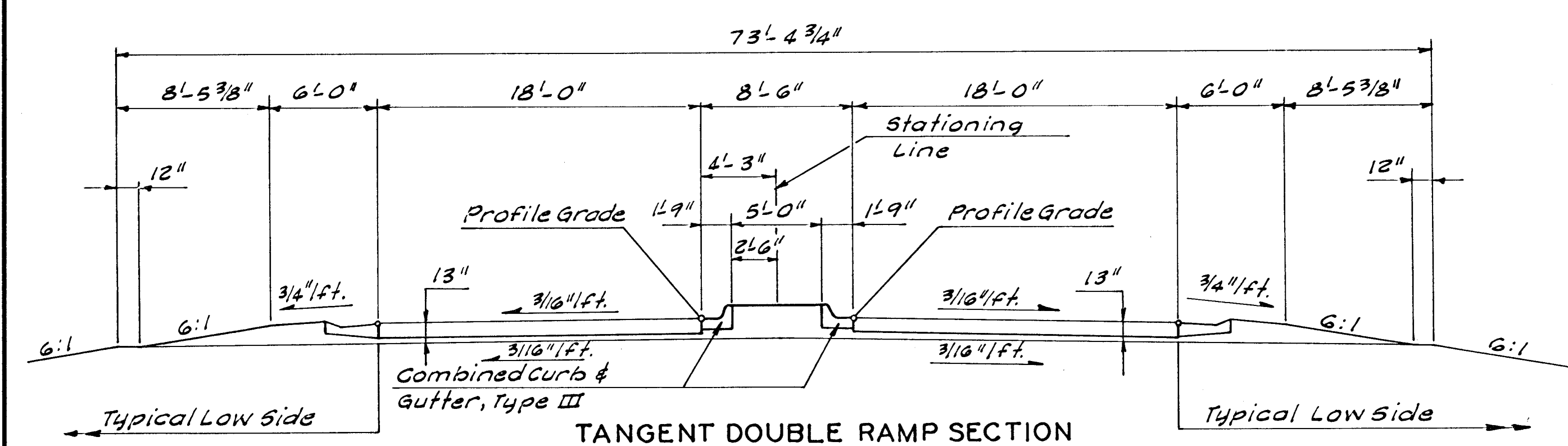
TYPICAL SECTION TEMPORARY DETOUR
Scale: 1"=5'-0"



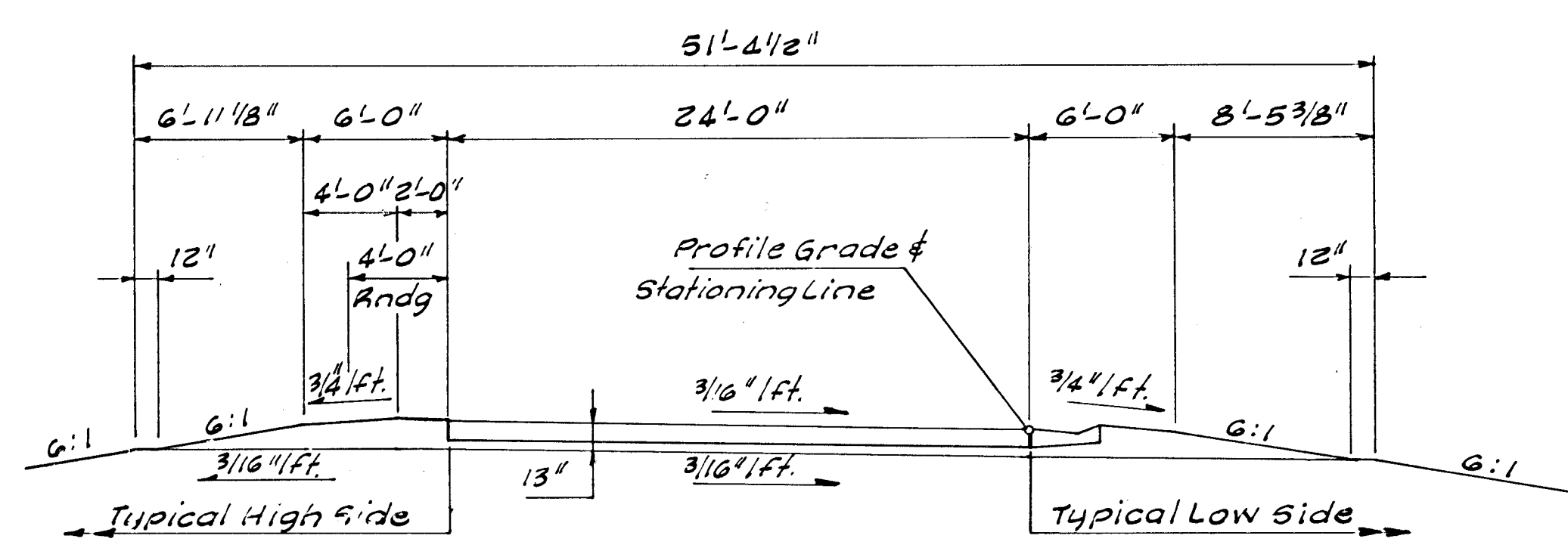
SUPERELEVATED 18' RAMP SECTION
Scale: 1"=6'-0"



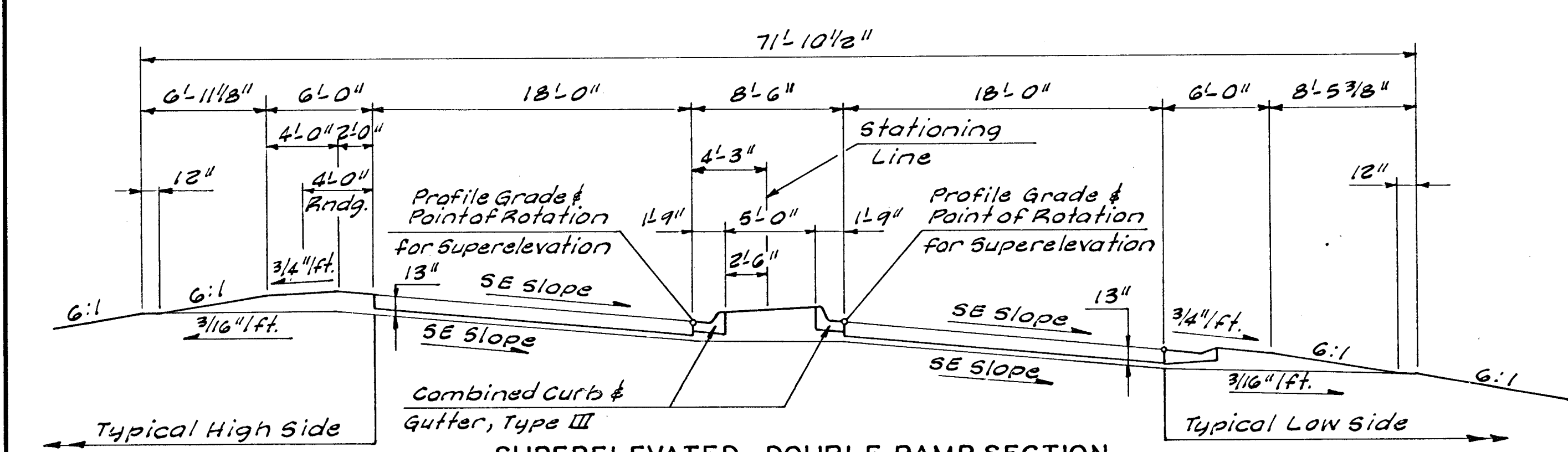
TYPICAL SECTION FRONTAGE ROADS & CITY STREETS
Scale: 1"=5'-0"



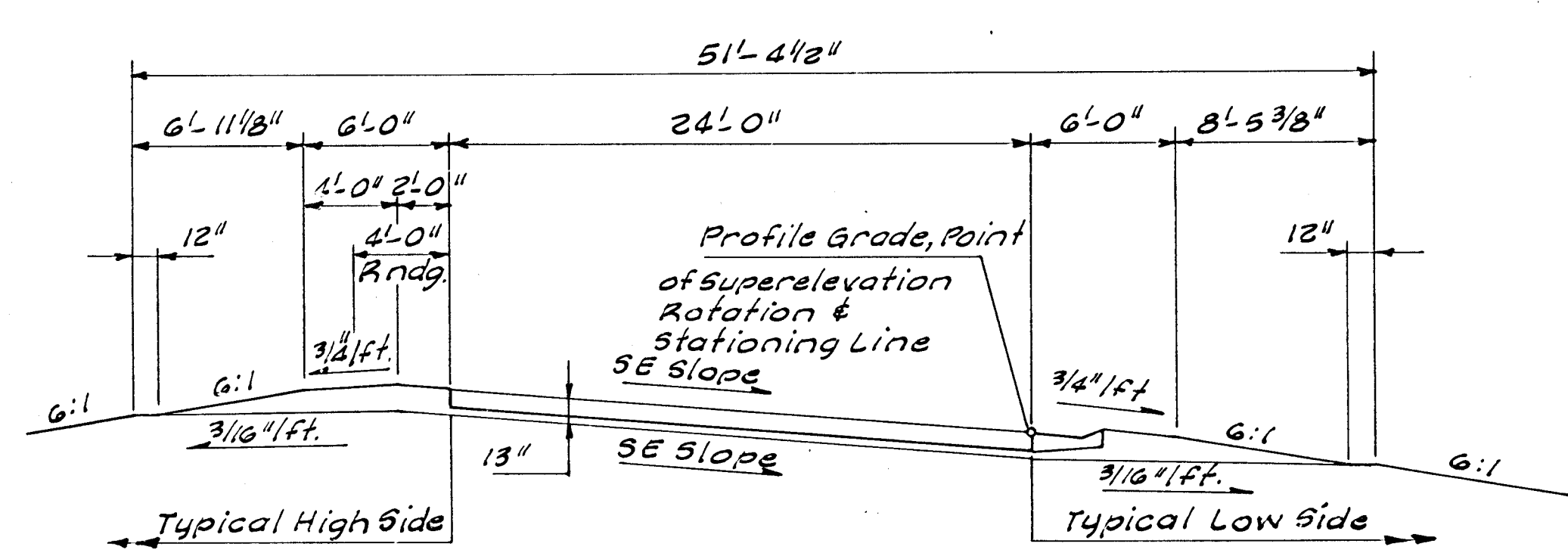
TANGENT DOUBLE RAMP SECTION
Scale: 1"=6'-0"



TANGENT 24' RAMP SECTION
Scale: 1"=6'-0"



SUPERELEVATED DOUBLE RAMP SECTION
Scale: 1"=6'-0"



SUPERELEVATED 24' RAMP SECTION
Scale: 1"=6'-0"

NO.	DATE	REVISIONS	BY	APP'D
3				
2				
1				

STATE HIGHWAY COMMISSION OF KANSAS

TYPICAL SECTIONS
RAMPS
FRONTAGE ROADS

DESIGNED D.C.T. TRACED J.F.B. CHECKED A.L.B.