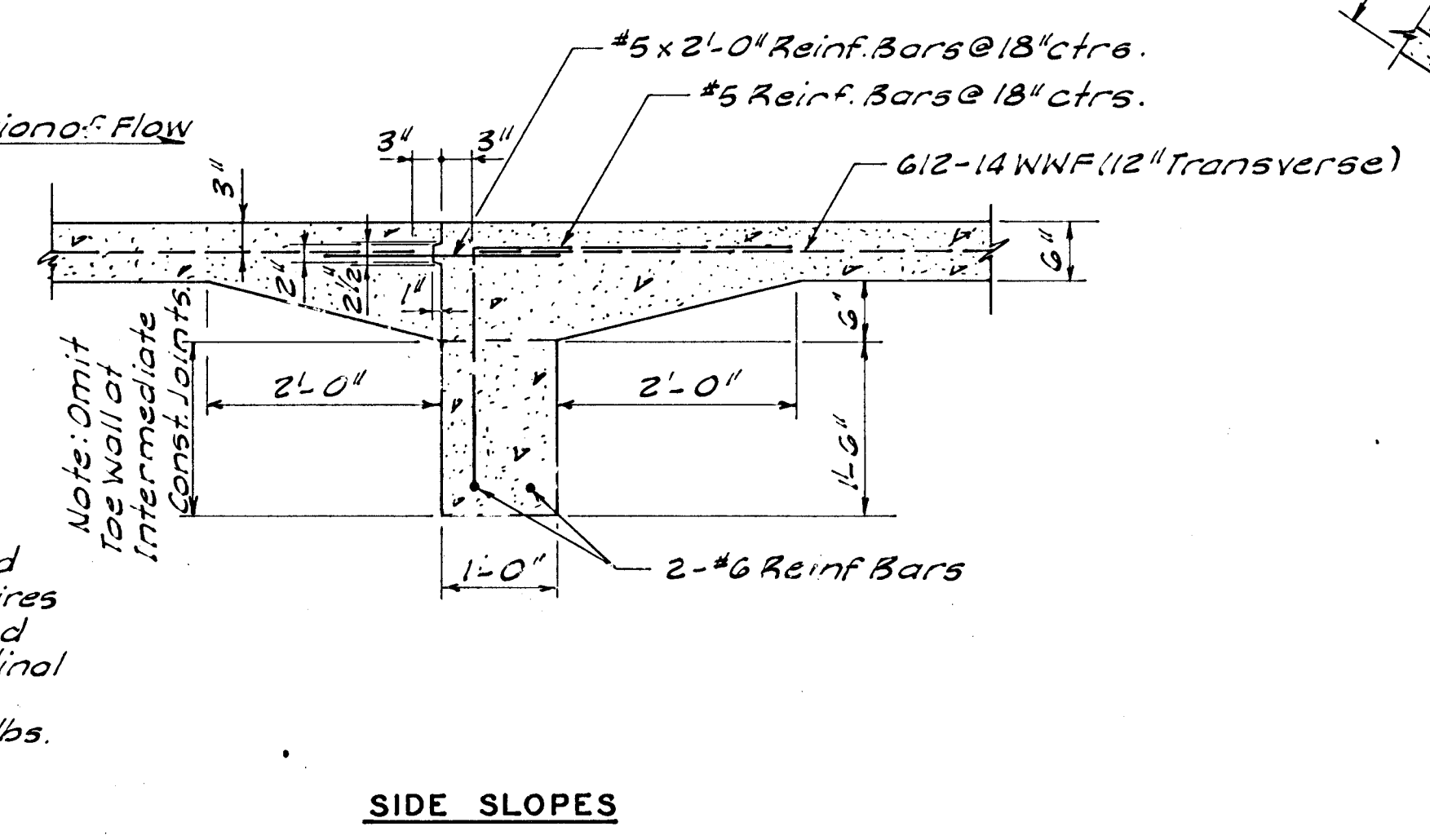
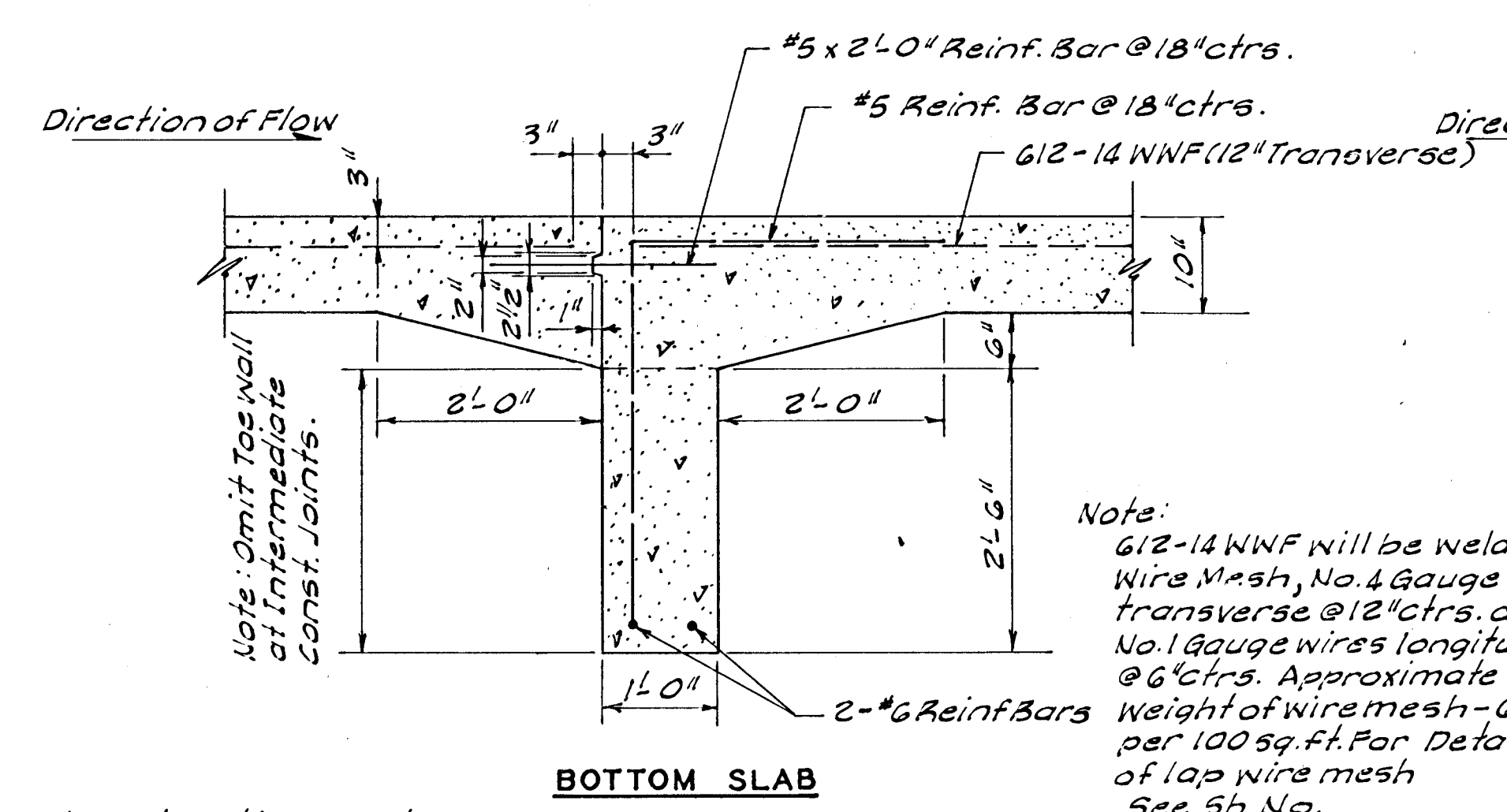
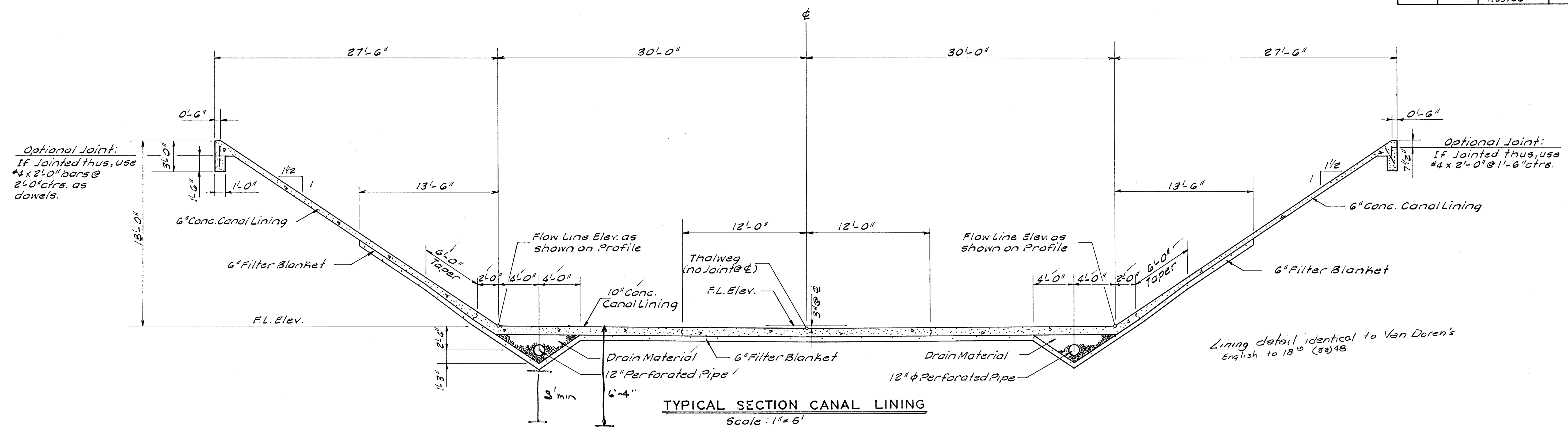
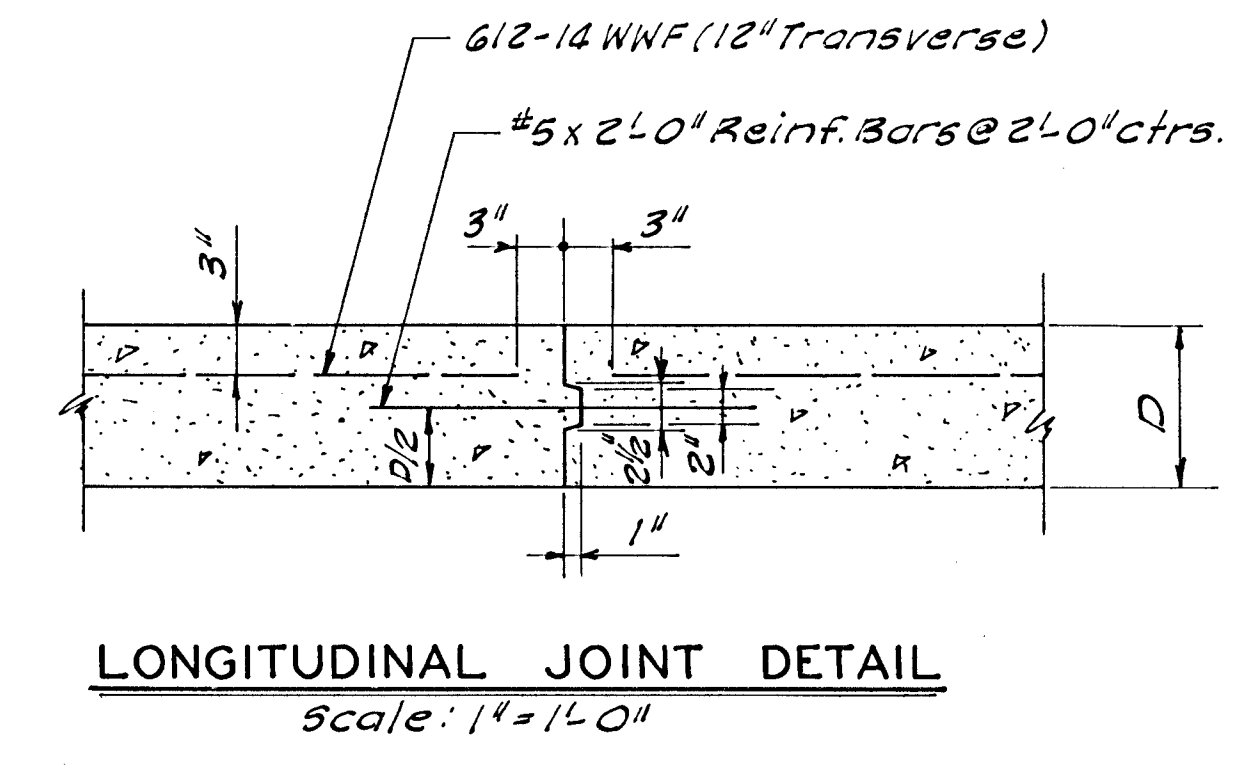
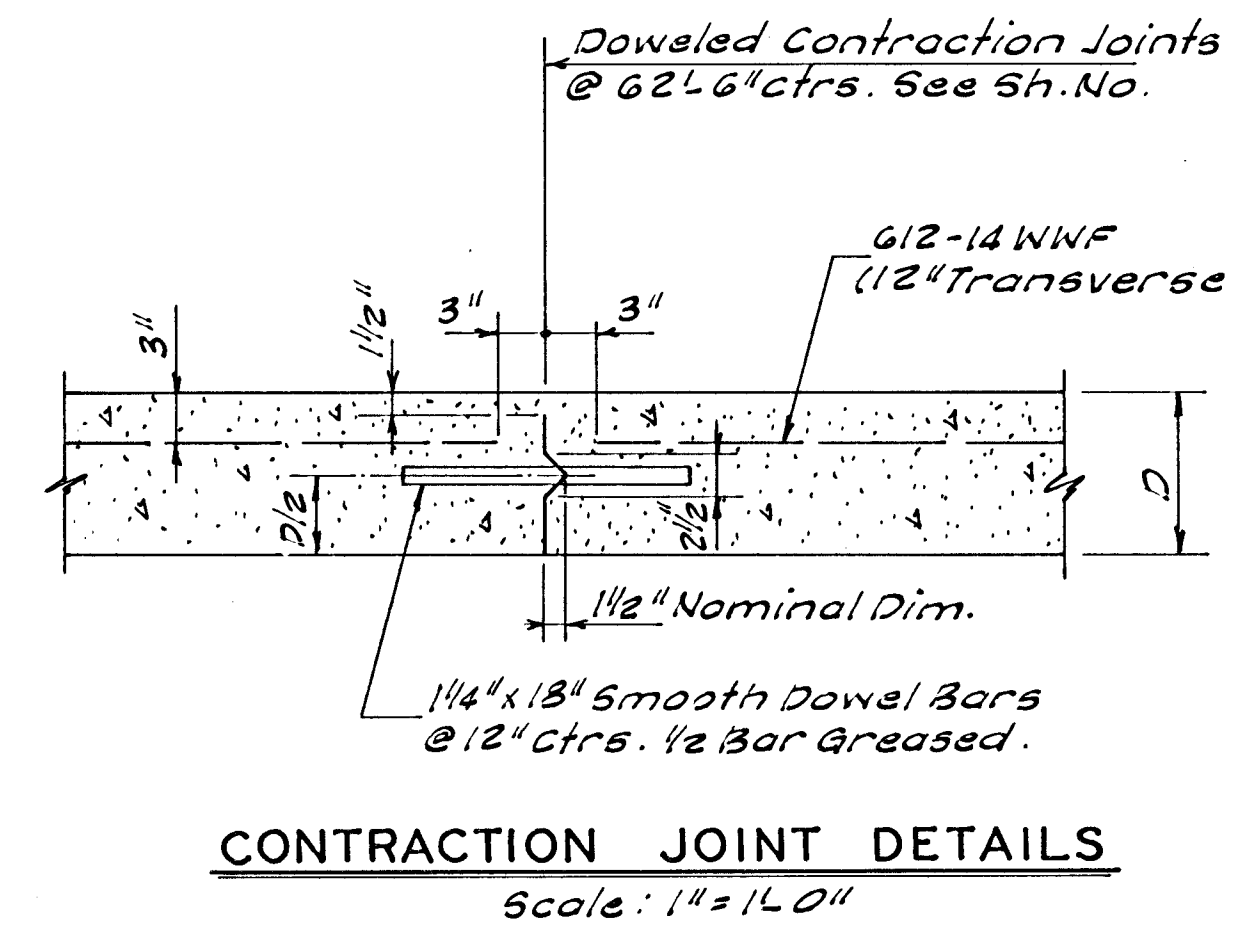
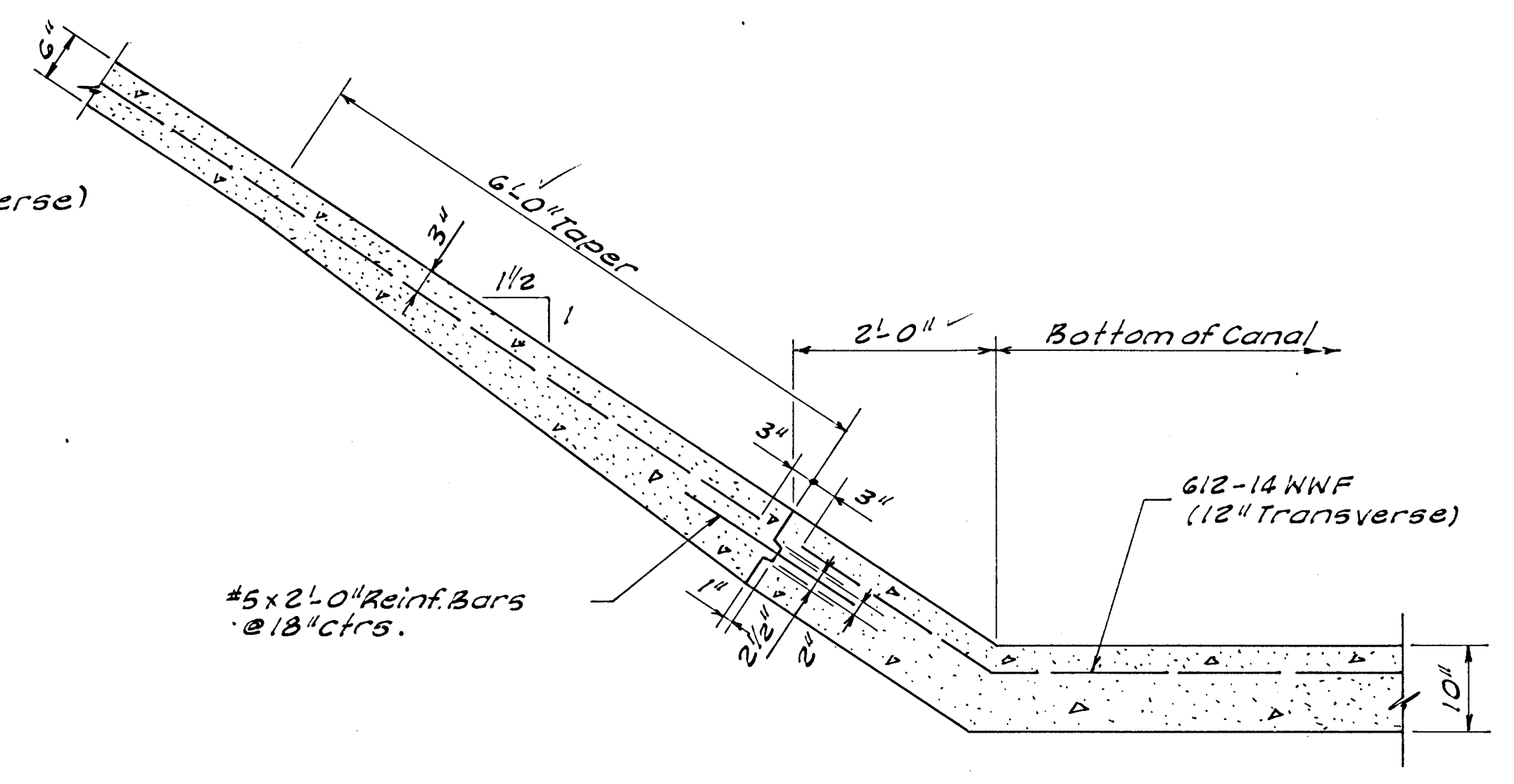


PUB. ROAD DIV. NO.	STATE	PROJECT NO.	FISCAL YEAR	SHEET NO.	TOTAL SHEETS
5	KANSAS	35W-87 I-35W-11(33)26	1970	7	239



TRANSVERSE CONSTRUCTION JOINTS
Scale: 3/4" = 1'-0"



3					
2					
1					
NO.	DATE	REVISIONS	BY	APP'D	
STATE HIGHWAY COMMISSION OF KANSAS					
CANAL LINING SECTION & DETAILS					
WILSON & COMPANY ENGINEERS & ARCHITECTS SALINA, KANSAS					
DESIGNED	S. I. F.	TRACED	J. F. B.	CHECKED	DCT