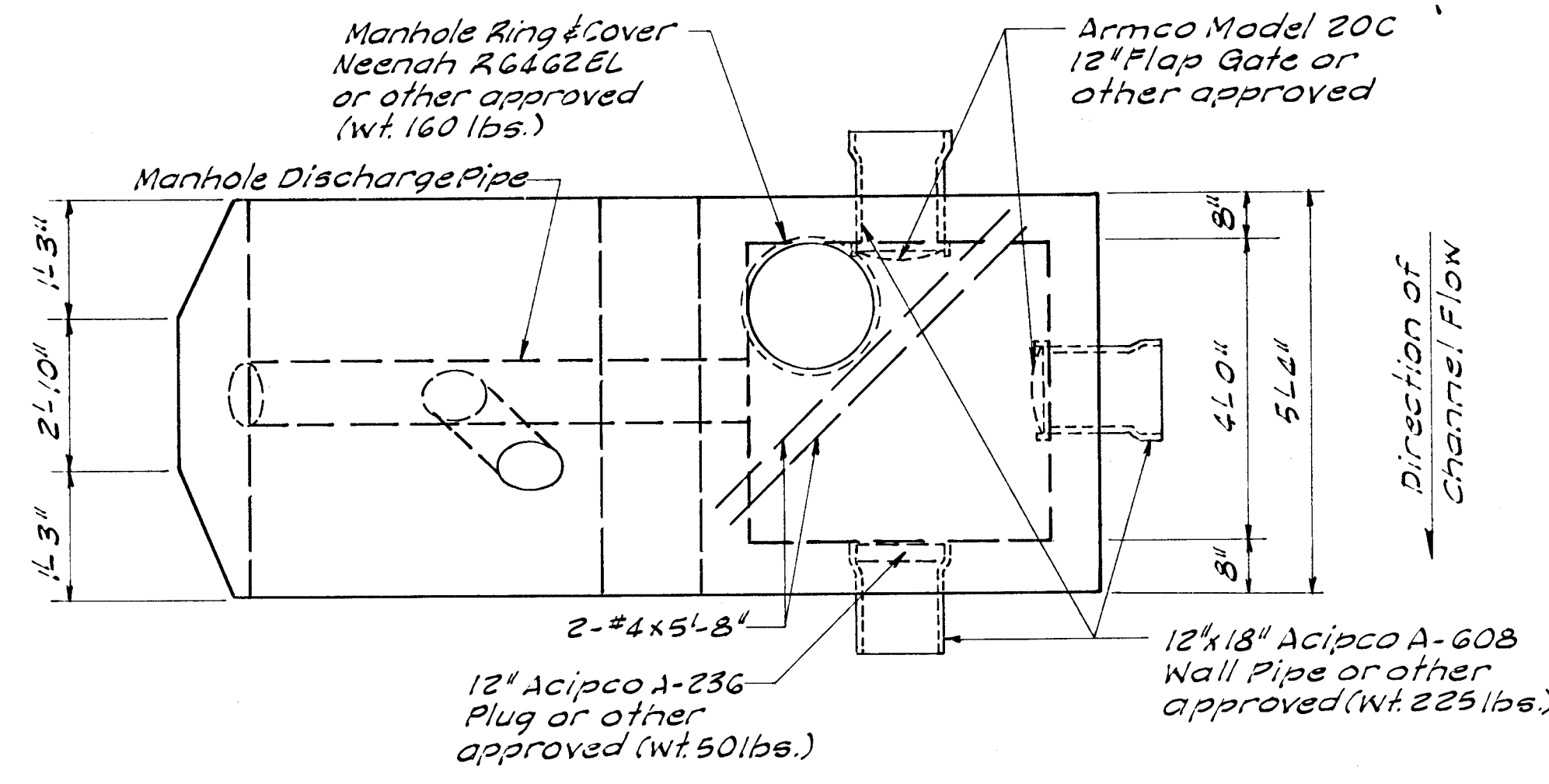
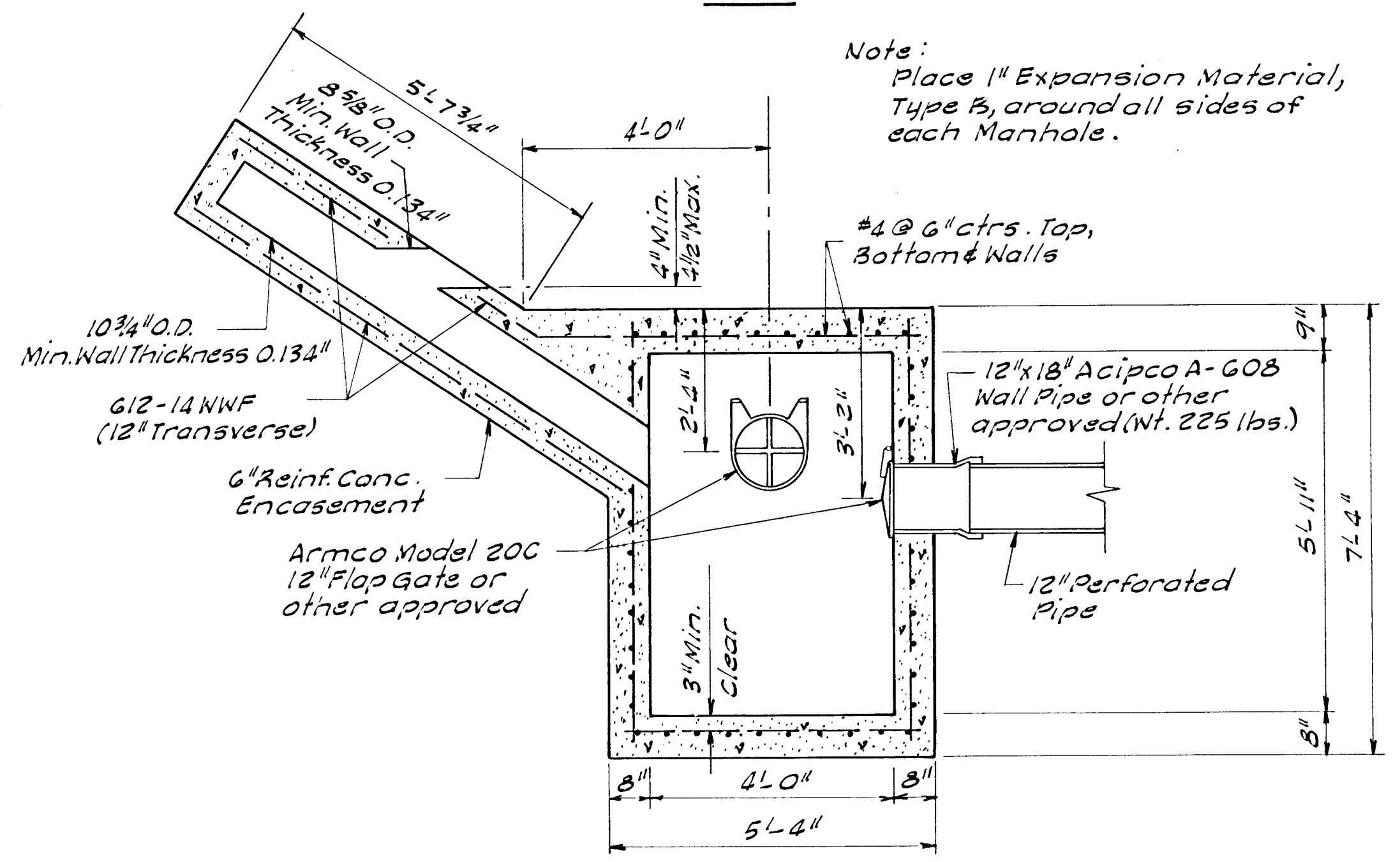


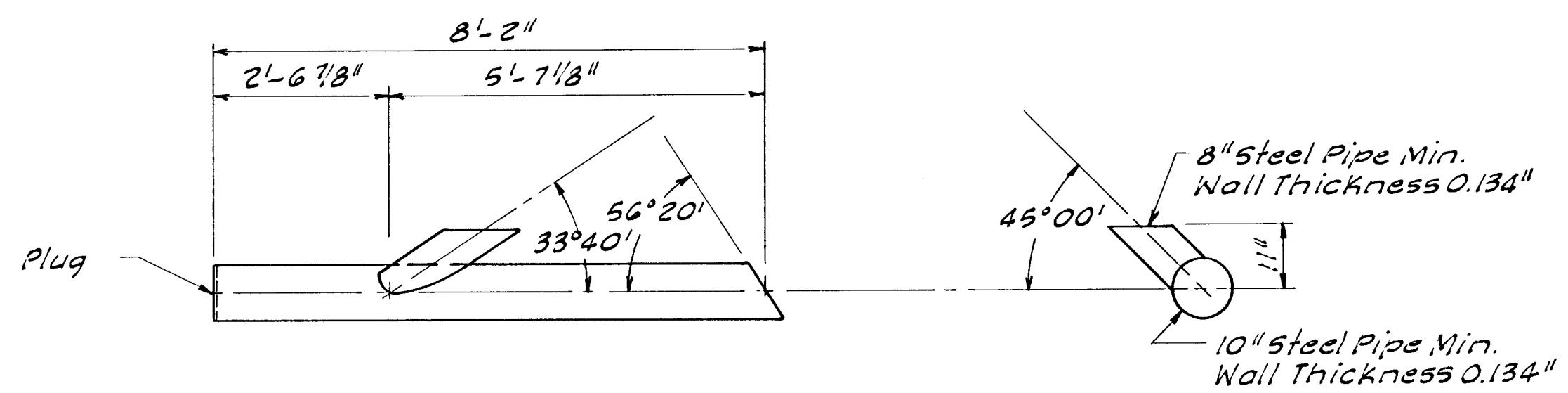
| PUB. ROAD DIV. NO. | STATE | PROJECT NO. | FISCAL YEAR | SHEET NO. | TOTAL SHEETS |
|--------------------|--------|---------------------|-------------|-----------|--------------|
| 5 | KANSAS | 35W-87I-35W-1(33)26 | 1970 | 8 | 229 |



PLAN



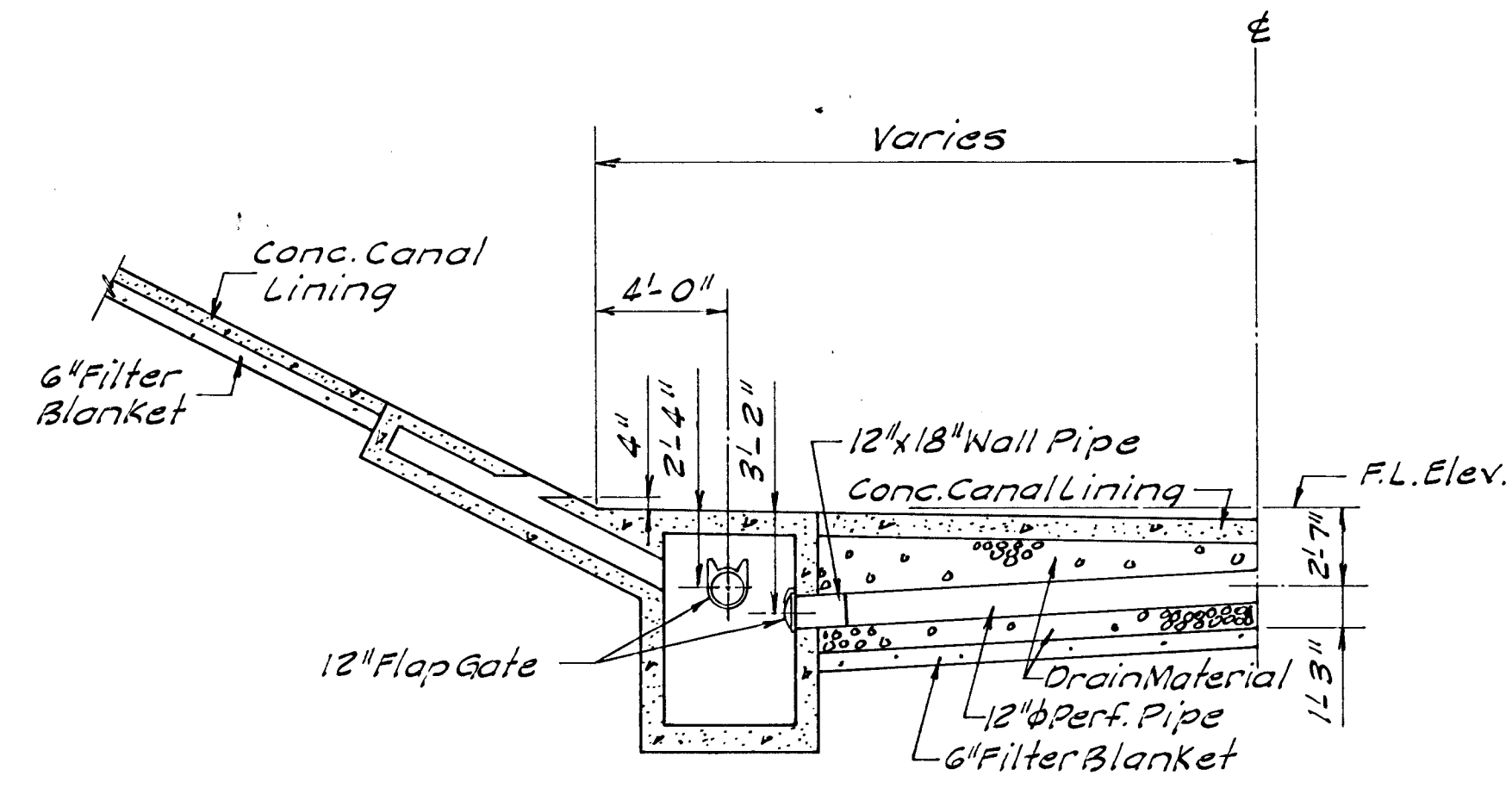
SECTION



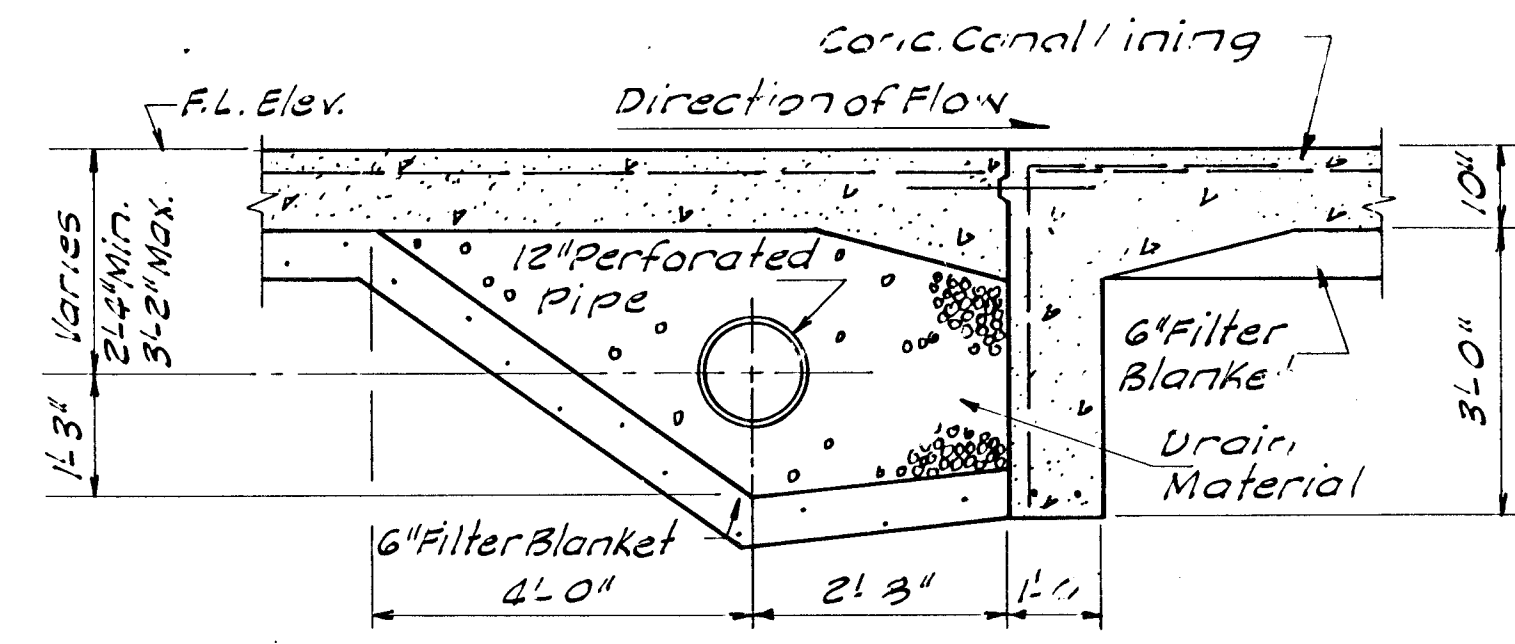
MANHOLE DISCHARGE PIPE 1/2:1 SIDE SLOPE
Subsidiary to other items of Contract

MANHOLE 1/2:1 SIDE SLOPE
Scale: 1/2" = 1'-0"

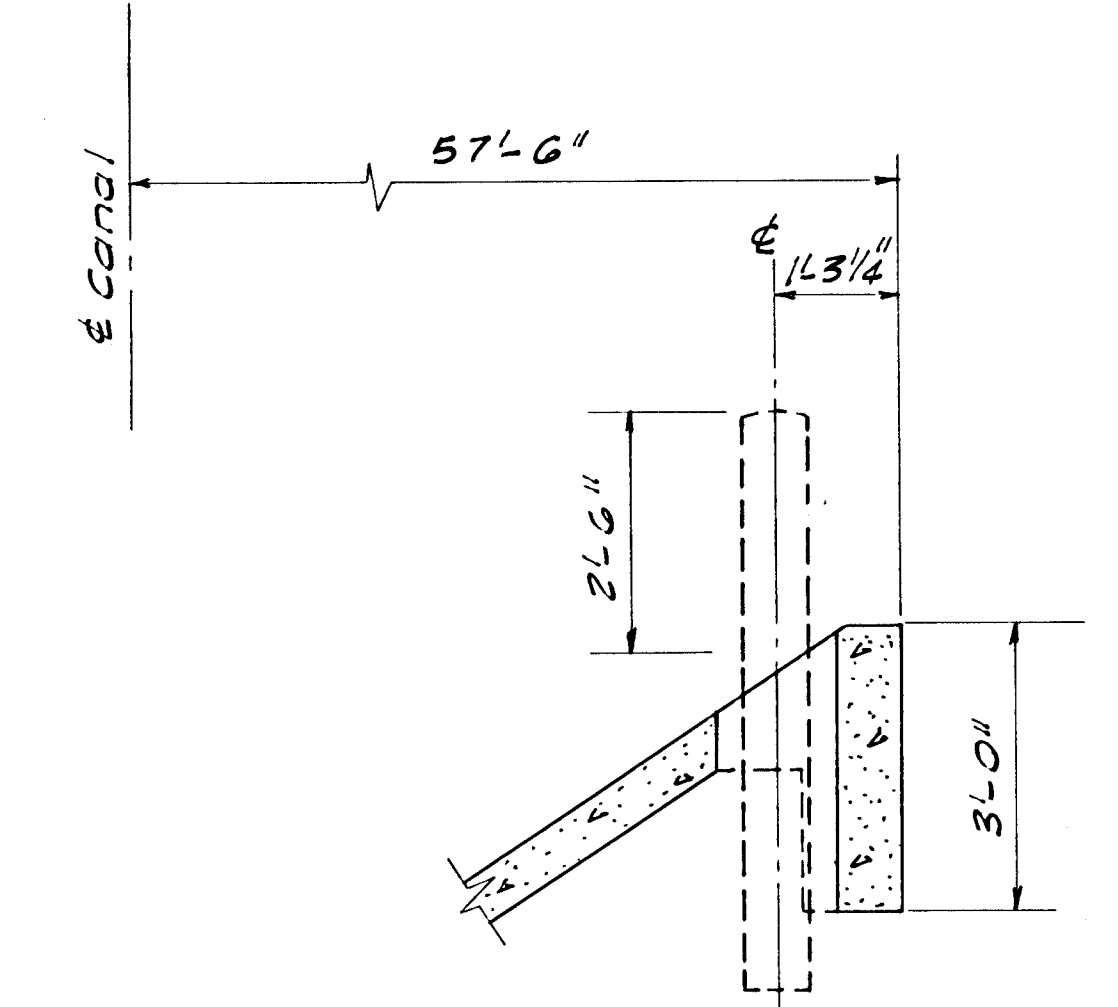
Notes:
Place 1" Expansion Material, Type B, around all sides of each Manhole.



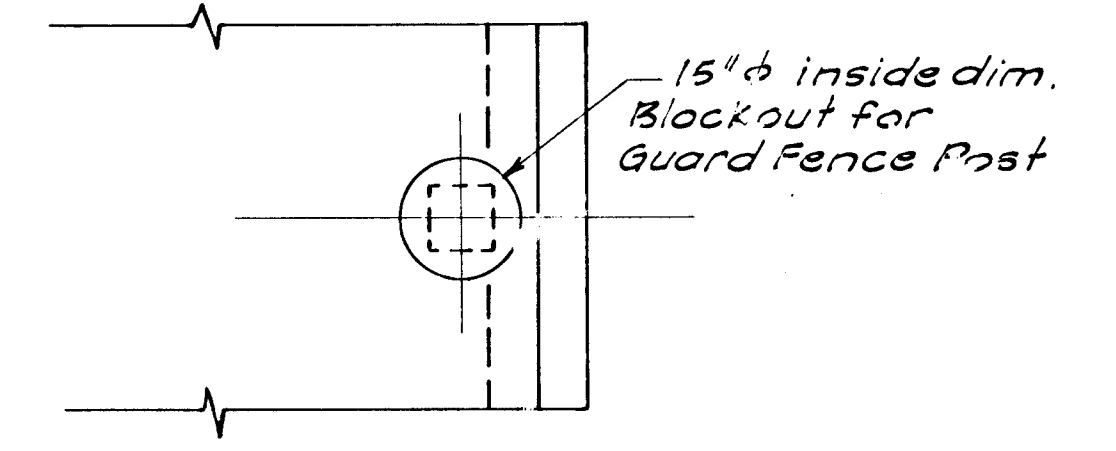
LONGITUDINAL SECTION TRANSVERSE PIPE UNDERDRAIN
No Scale



SECTION OF TRANSVERSE PIPE UNDERDRAIN
Scale: 1/4" = 1'-0"



SECTION



PLAN

BLOCKOUT FOR GUARD FENCE POST
Scale: 1/2" = 1'-0"

Note:
When a Pier Column or Abutment falls within Canal Lining, 1" Joint Material Type B shall be used.
Type B Joint Material shall be included in the Unit Bid Price for Concrete Canal Lining.

| 3 | | | | |
|--|--------|-----------|--------|---------|
| 2 | | | | |
| 1 | | | | |
| NO. | DATE | REVISIONS | BY | APP'D |
| STATE HIGHWAY COMMISSION OF KANSAS | | | | |
| CANAL LINING DETAILS | | | | |
| WILSON & COMPANY ENGINEERS & ARCHITECTS SALINA, KANSAS | | | | |
| DESIGNED | S.T.F. | TRACED | J.F.B. | CHECKED |
| | | | DCT | |