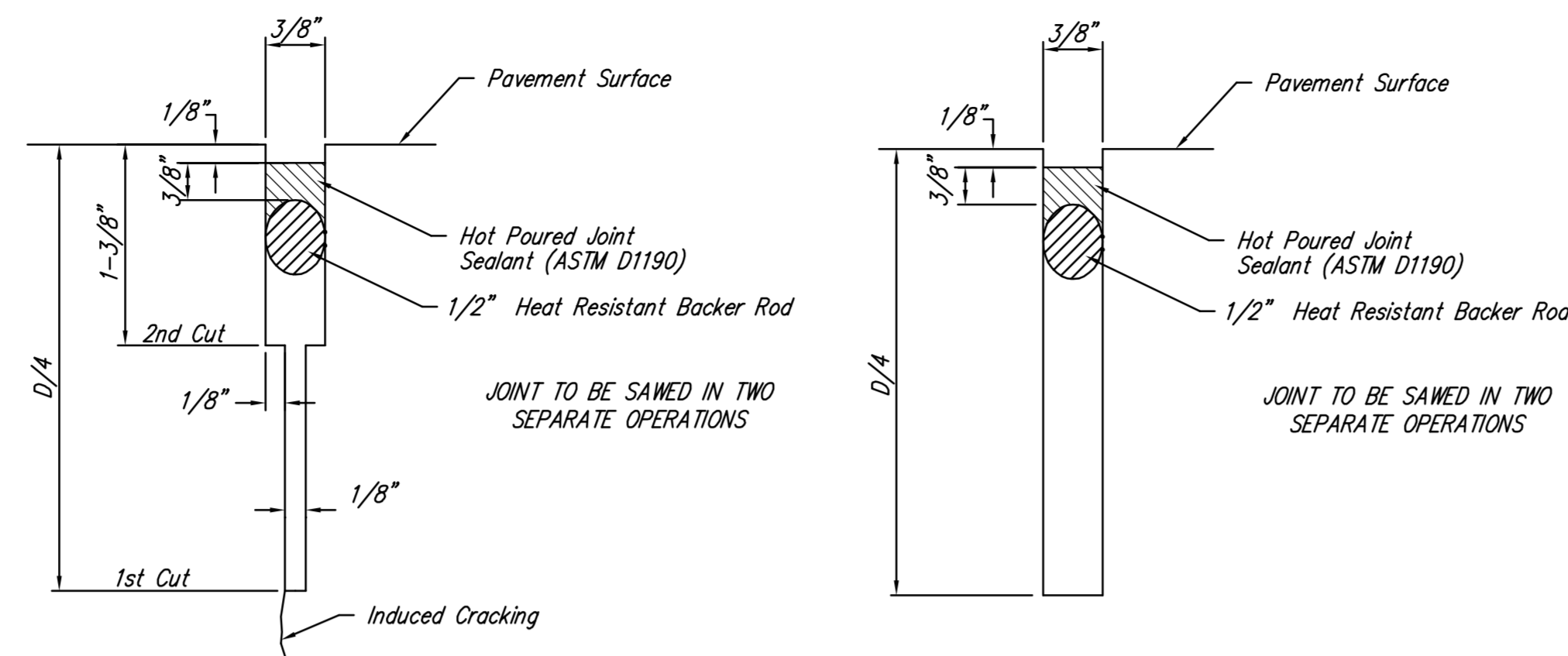
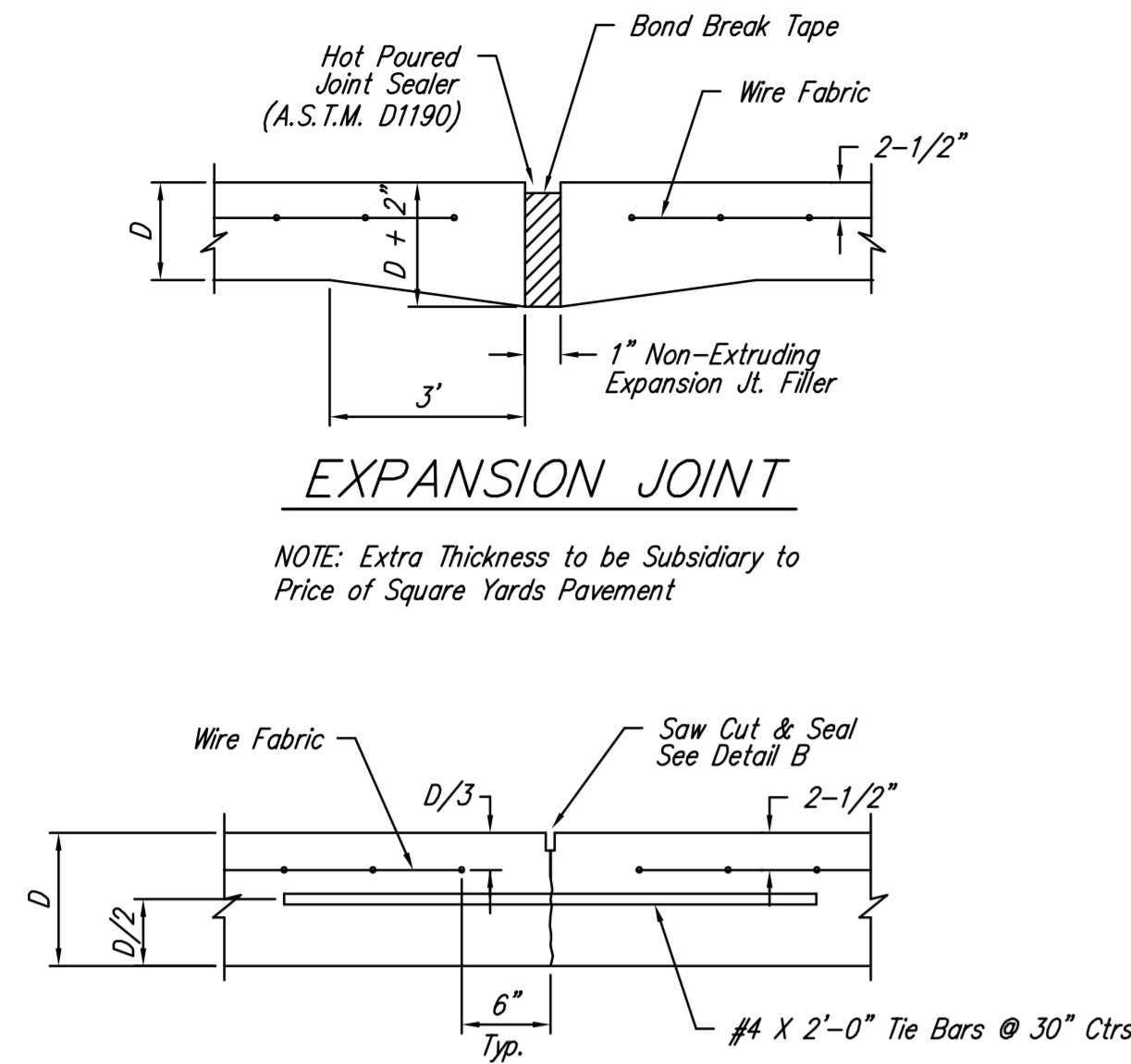
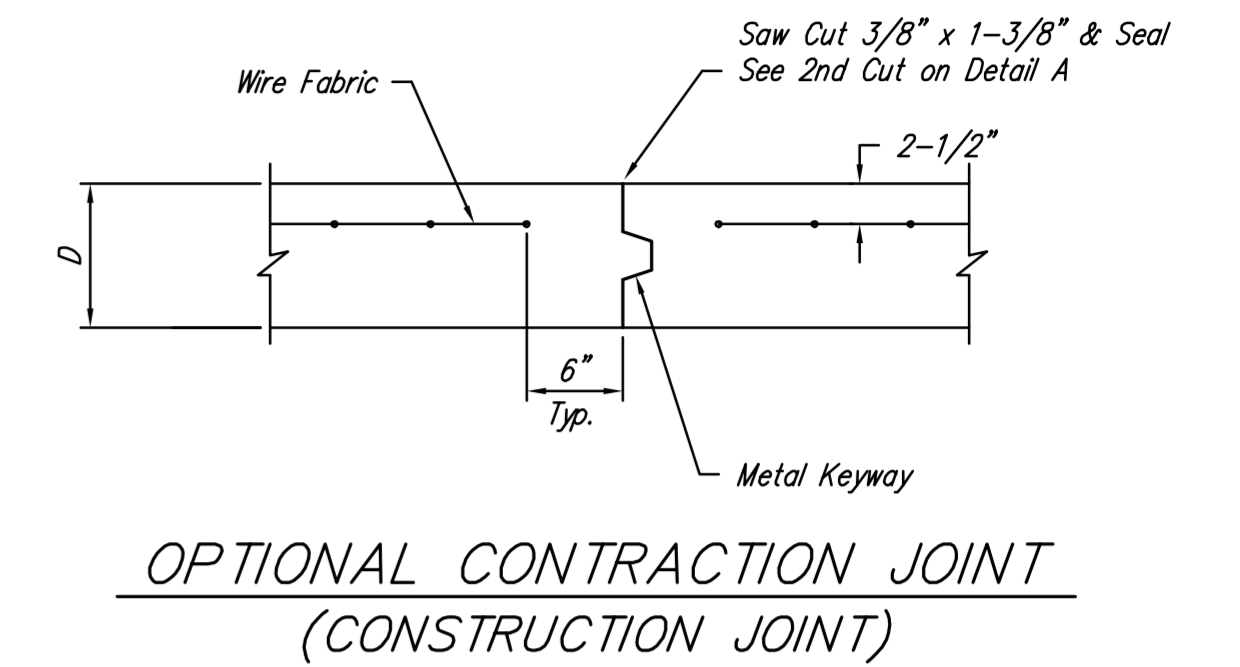
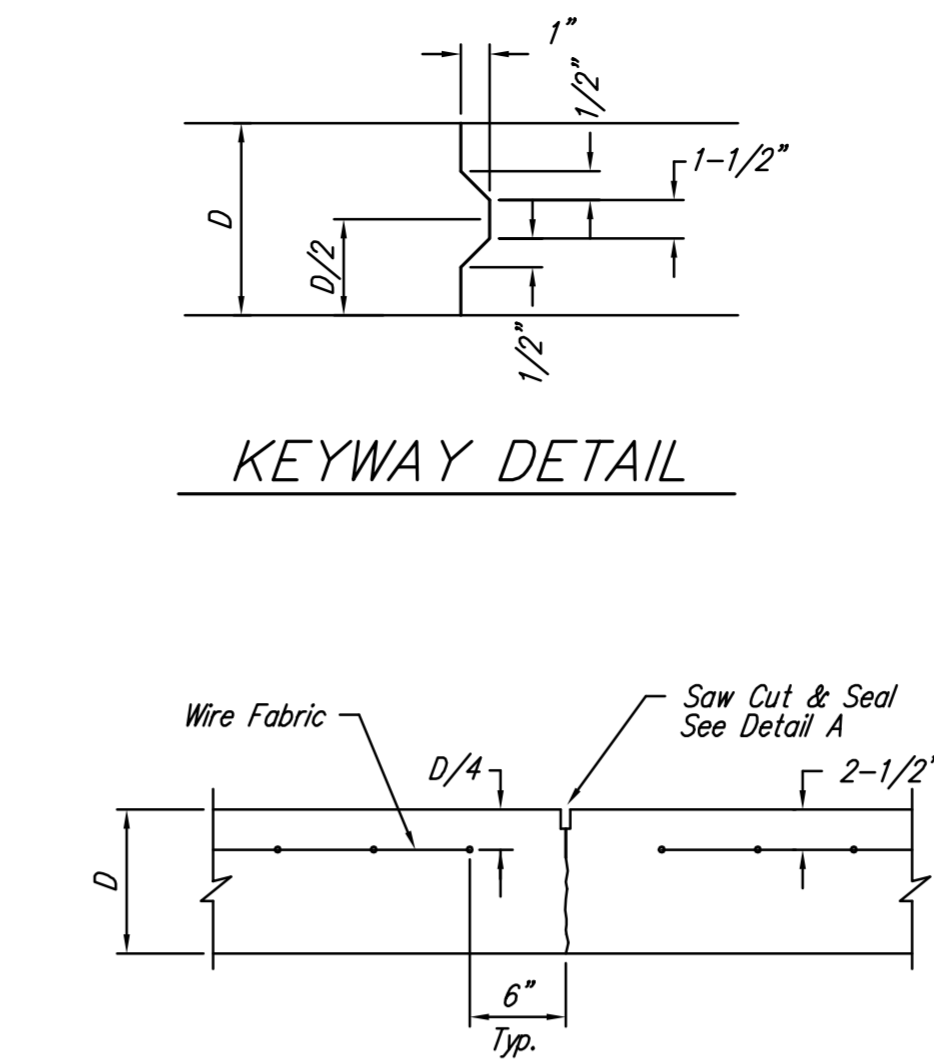


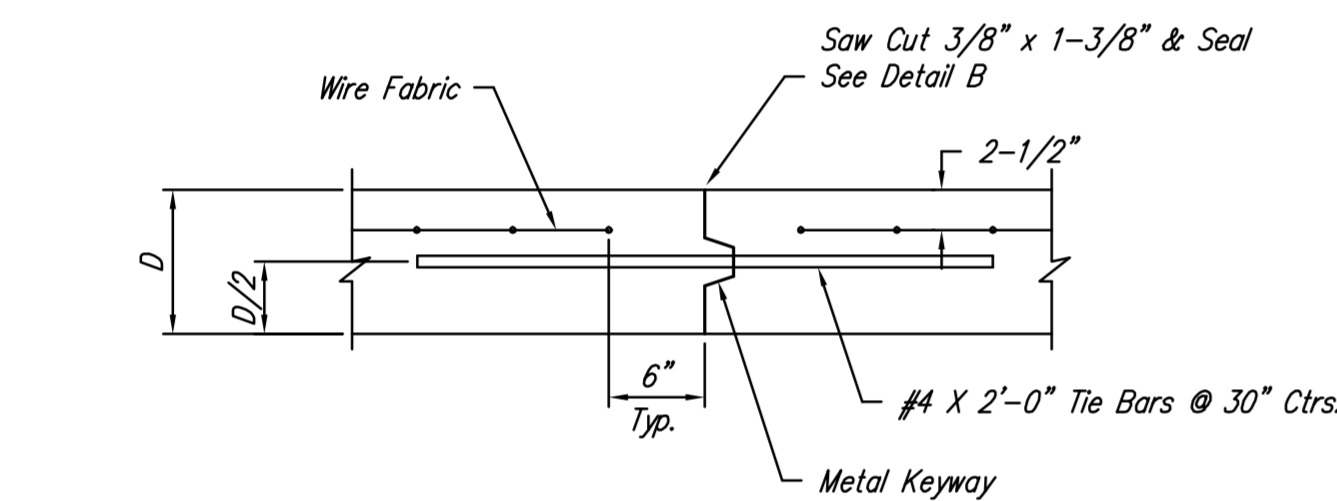
FHW REGION NO.	STATE	PROJECT NO.	FISCAL YEAR	SHEET NO.	TOTAL SHEETS
7	KANSAS	87N-0347-01	2007	7	123



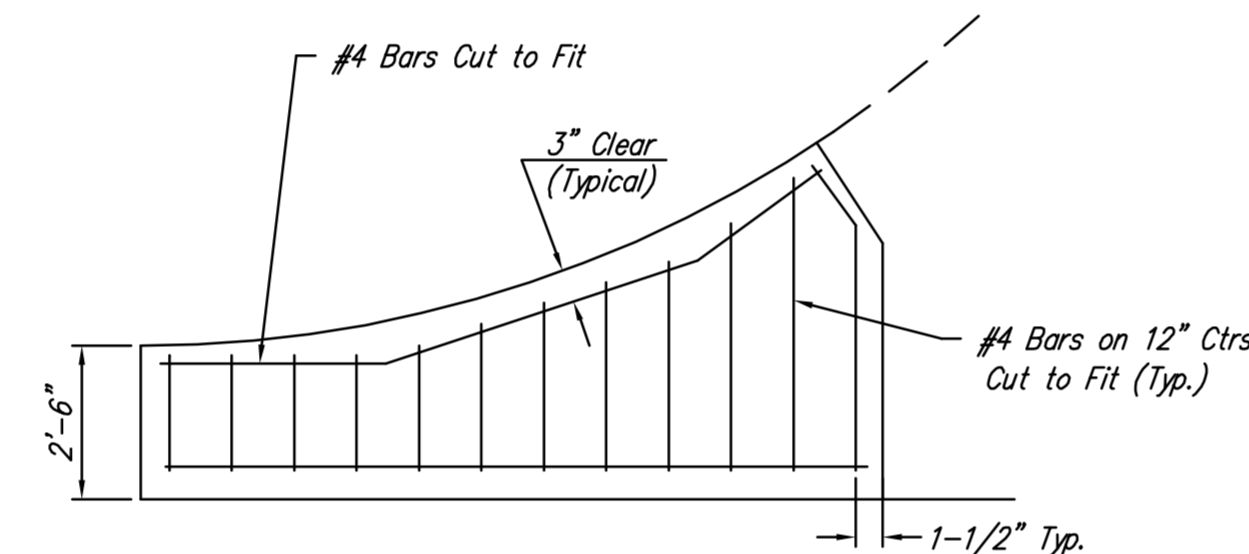
NOTE: 6" X 12" W4XW4 Wire Fabric Reinforcing Shall Be Placed So That The Wires With The 6" Spacing Will Run Parallel With The Longitudinal Joints.



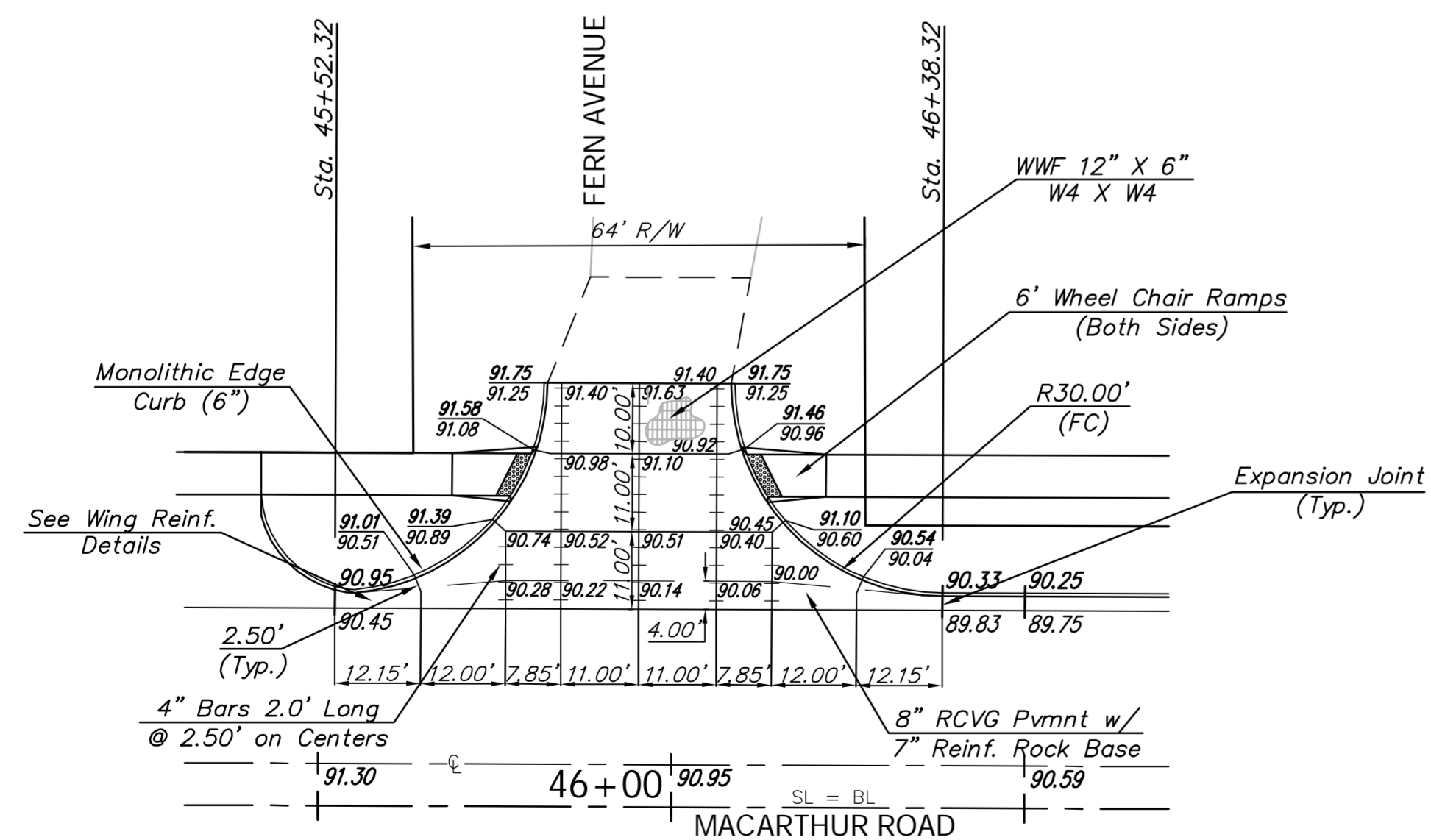
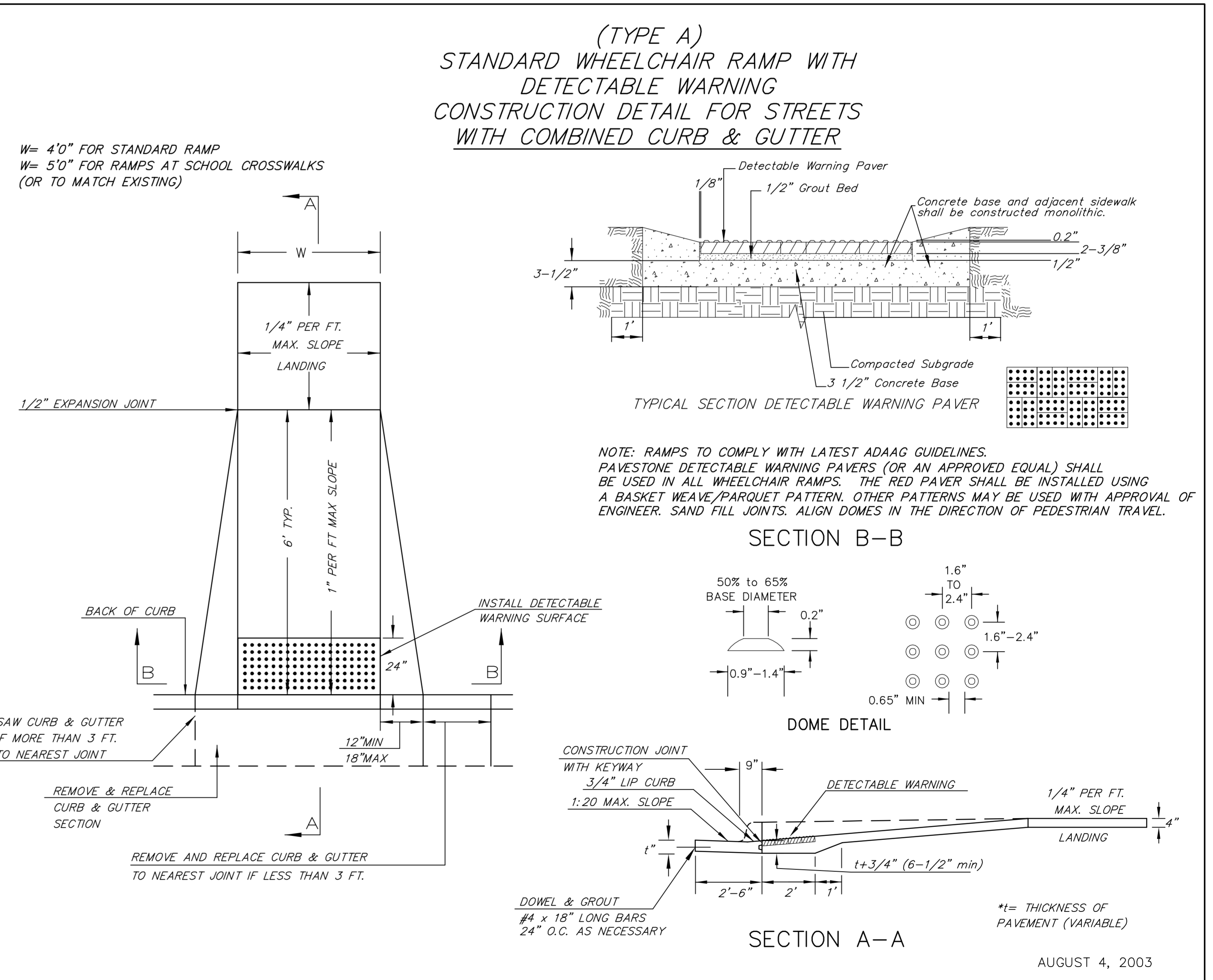
LONGITUDINAL JOINT DETAIL (L.J.)



OPTIONAL LONGITUDINAL JOINT DETAIL (L.J.) (CONSTRUCTION JOINT)



WING REINFORCING DETAIL



FERN AVENUE VALLEY GUTTER DETAIL

Drawing File: E:\eng\MacArthur\Details\pmmtdetail.dwg

Design: STAFF
Drawn: STAFF
Approved: TPV
Scale: None

Project No. 04-04-E856 CAPITAL IMPROVEMENT PROJECT
STANDARD PAVEMENT DETAILS & VALLEY GUTTER DETAILS
MACARTHUR ROAD PAVING - MERIDIAN AVENUE TO SENECA STREET

Baughman Company, P.A.
315 Ellis St. Wichita, KS 67211 P 316-262-7271 F 316-262-0149
Baughman ENGINEERING | SURVEYING | PLANNING | LANDSCAPE ARCHITECTURE

July 2007
SHEET 7 OF 123