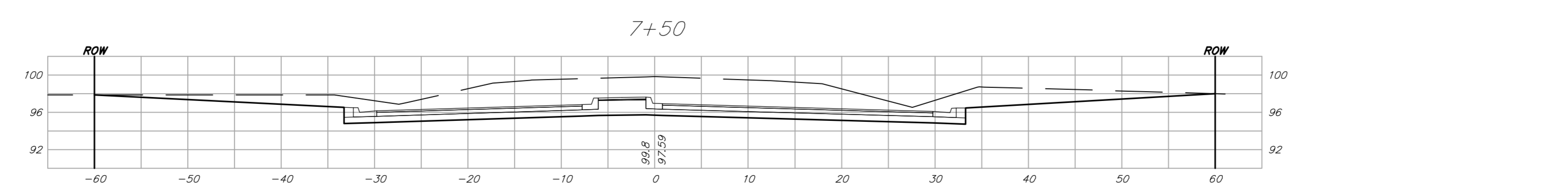
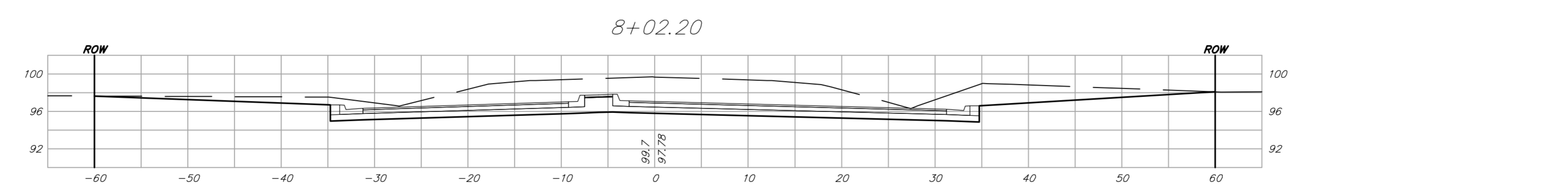
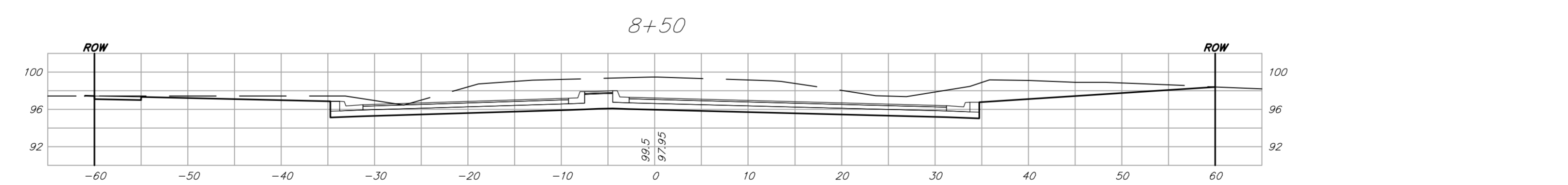
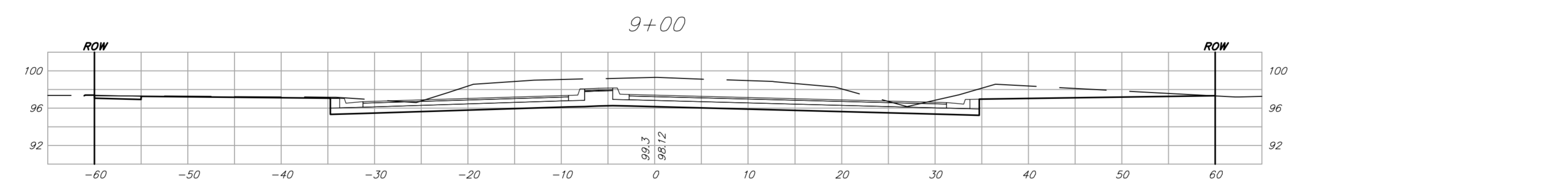
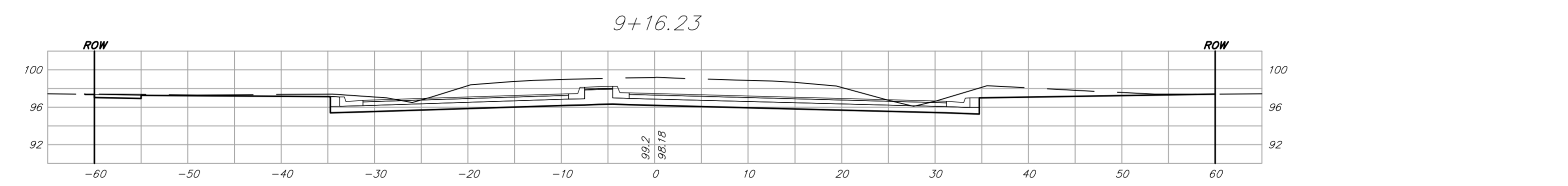
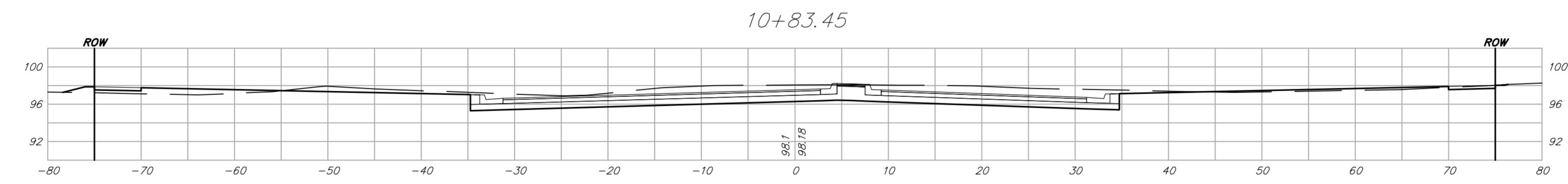
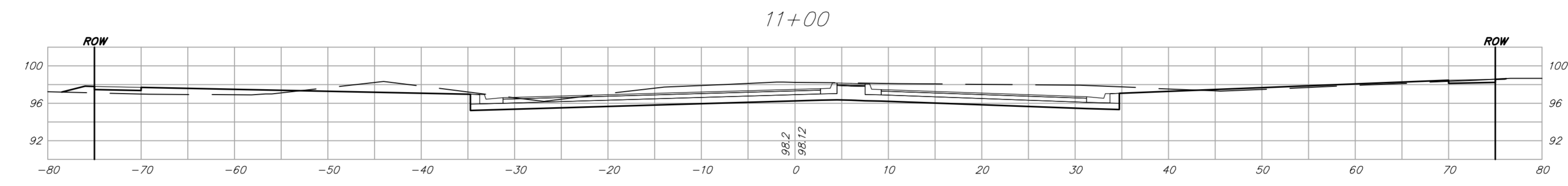
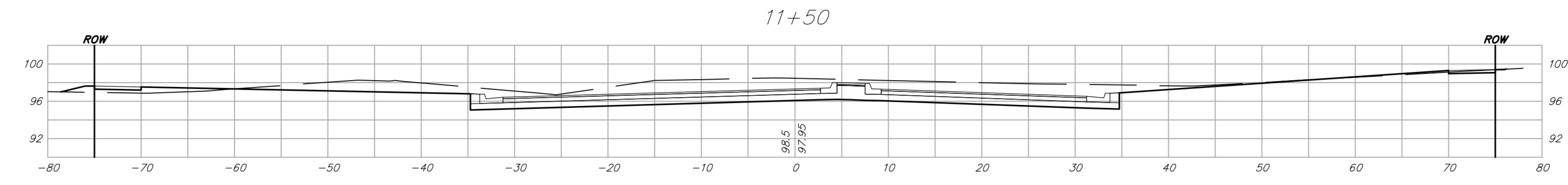


FHWY REGION NO.	STATE	PROJECT NO.	FISCAL YEAR	SHEET NO.	TOTAL SHEETS
7	KANSAS	87 N-0347-01	2007	105	123



Drawing File: F:\eng\MacArthur\Land\dwg\XSec.dwg (XSEC 02)

Design: TPV
 Drawn: TPV
 Approved: TPV
 Scale: 1" = 10'

Project No. 04-04-E856 CAPITAL IMPROVEMENT PROJECT
MACARTHUR ROAD
CROSS SECTIONS
 MACARTHUR ROAD PAVING - MERIDIAN AVENUE TO SENECA STREET

Baughman **Baughman Company, P.A.**
 315 Ellis St. Wichita, KS 67211 P 316-262-7271 F 316-262-0149
 ENGINEERING | SURVEYING | PLANNING | LANDSCAPE ARCHITECTURE

July 2007

SHEET
105
 OF
123