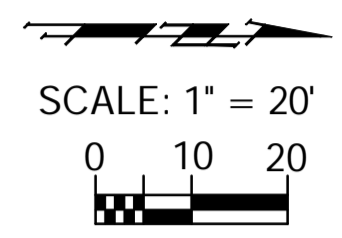
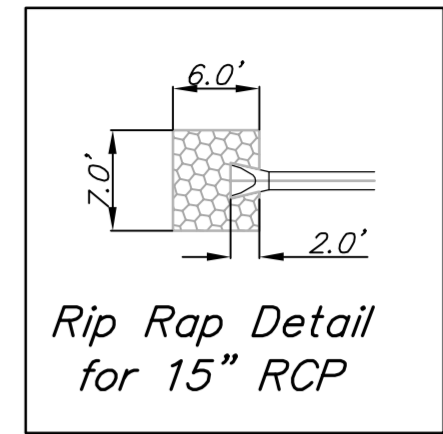
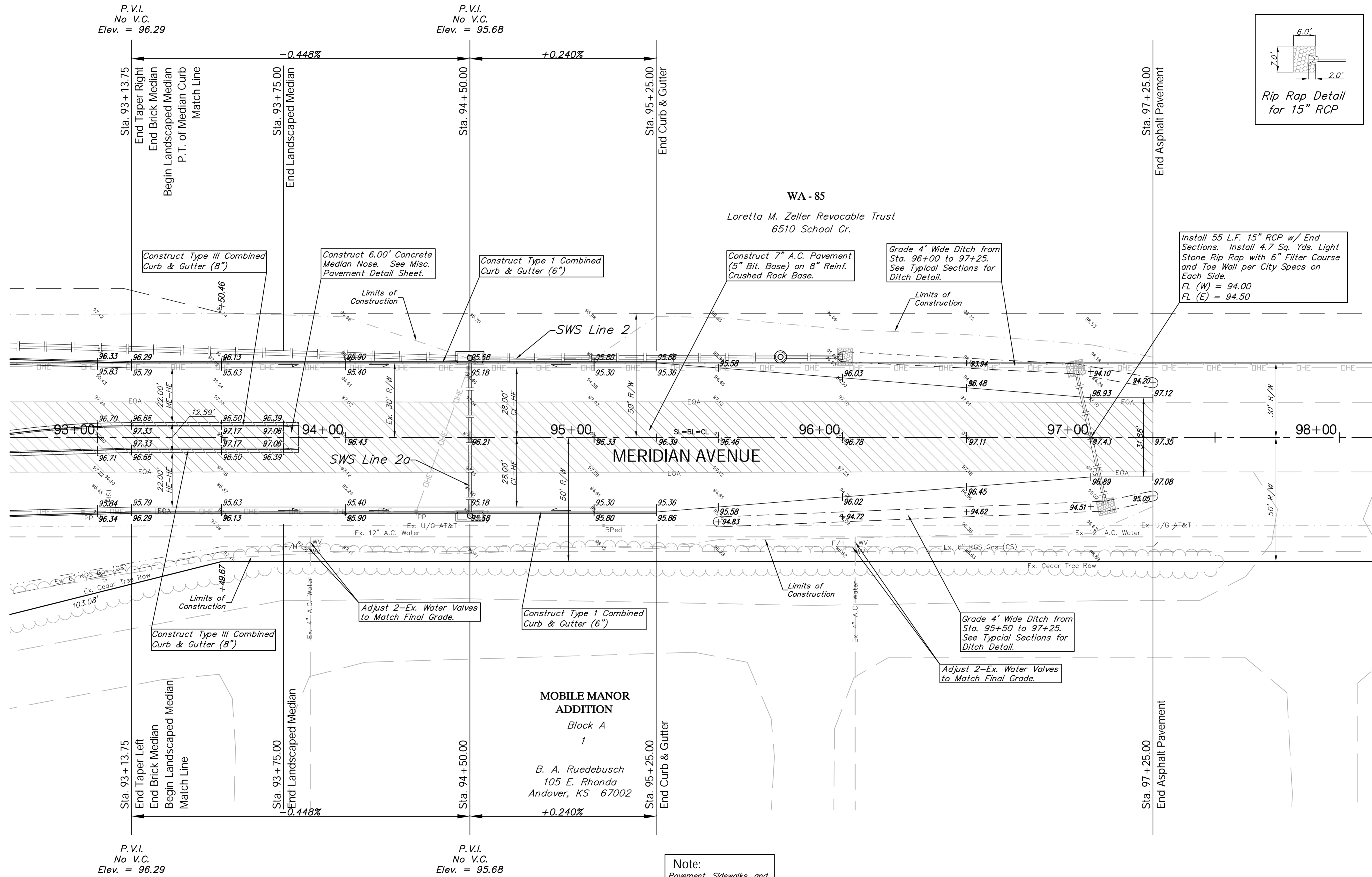


BENCHMARK:
 BM #1 - City of Wichita Disc Located in the Northeast Corner
 of the Intersection of Meridian and MacArthur
 Sta. 10+51, 54' Lt.
 Elev. = 97.46 City Datum

FIWA REGION NO.	STATE	PROJECT NO.	FISCAL YEAR	SHEET NO.	TOTAL SHEETS
7	KANSAS	87 N-0347-01	2007	23	123



Note:
 Pavement, Sidewalks, and
 Etc. To Be Removed Are
 Indicated By:

Drawing File: E:\eng\MacArthur\Land\dwg\Base.dwg (Pav13)
 Design: TPV
 Drawn: STAFF
 Approved: TPV
 Scale: NOTED

Project No. 0404E856 CAPITAL IMPROVEMENT PROJECT
MERIDIAN AVENUE PAVING
 Sta. 93+13.75 to Sta. 97+25.00
 MACARTHUR ROAD PAVING - MERIDIAN AVENUE TO SENECA STREET

Baughman Company, P.A.
 315 Ellis St., Wichita, KS 67211 P 316-262-7171 F 316-262-0149
 ENGINEERING | SURVEYING | PLANNING | LANDSCAPE ARCHITECTURE

July 2007
 SHEET 23 OF 123