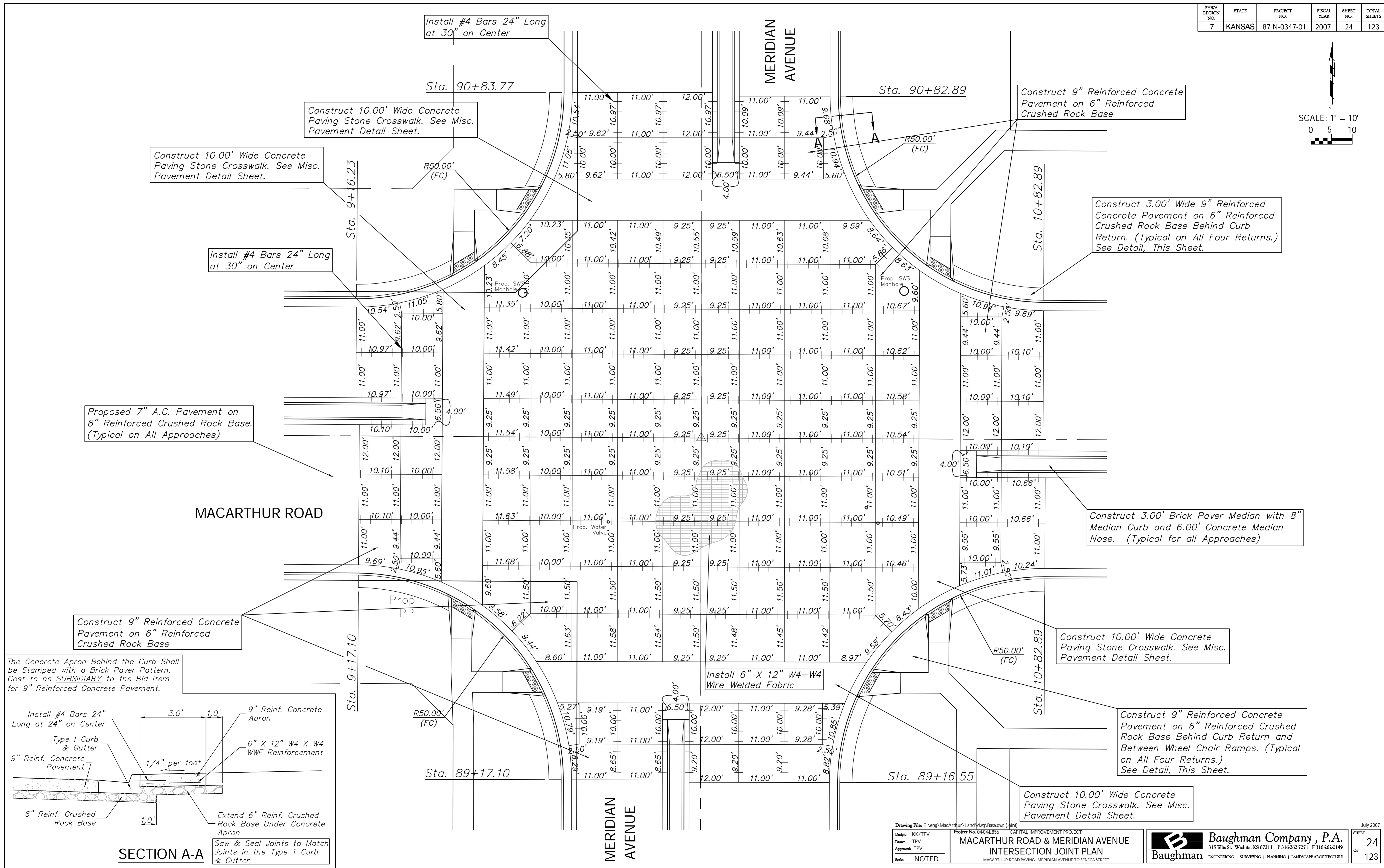
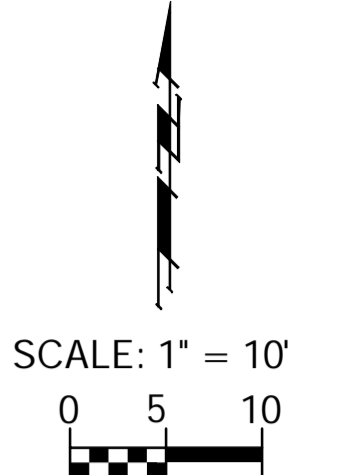


FHWA REGION NO.	STATE	PROJECT NO.	FISCAL YEAR	SHEET NO.	TOTAL SHEETS
7	KANSAS	87 N-0347-01	2007	24	123



Construct 10.00' Wide Concrete Paving Stone Crosswalk. See Misc. Pavement Detail Sheet.

Construct 10.00' Wide Concrete Paving Stone Crosswalk. See Misc. Pavement Detail Sheet.

Install #4 Bars 24" Long at 30" on Center

Construct 9" Reinforced Concrete Pavement on 6" Reinforced Crushed Rock Base

Construct 3.00' Wide 9" Reinforced Concrete Pavement on 6" Reinforced Crushed Rock Base Behind Curb Return. (Typical on All Four Returns.) See Detail, This Sheet.

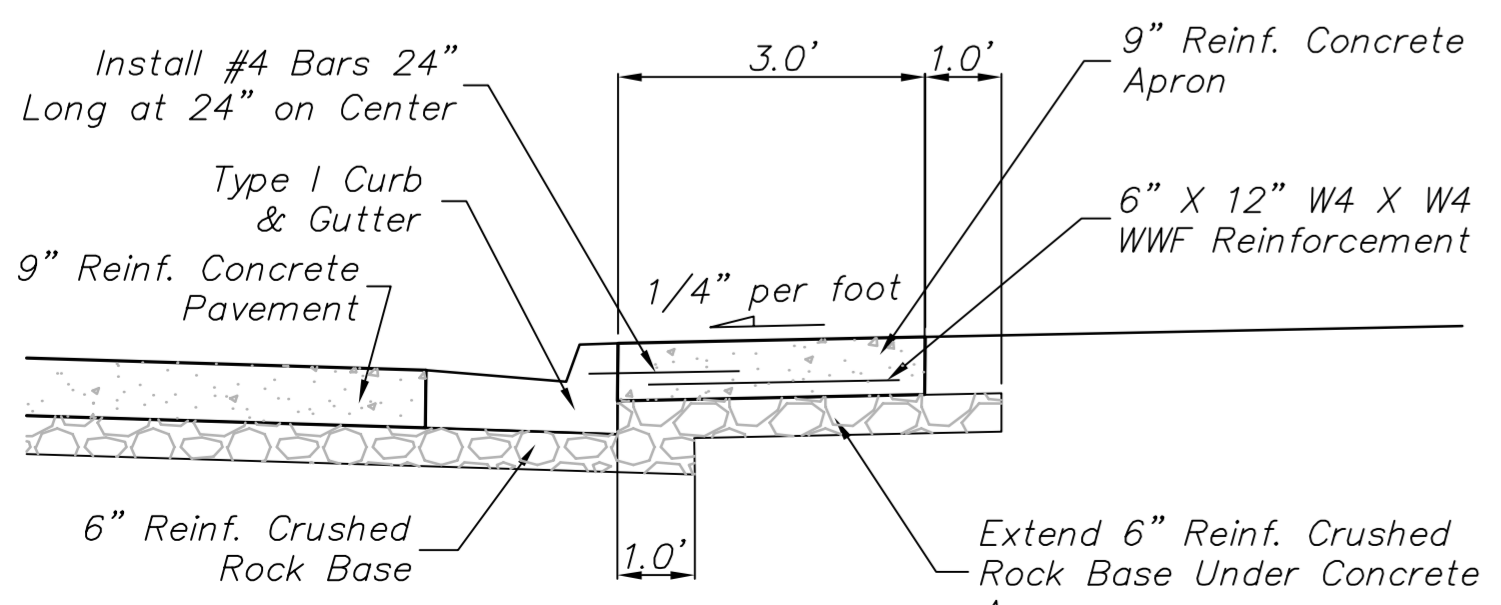
Install #4 Bars 24" Long at 30" on Center

Proposed 7" A.C. Pavement on 8" Reinforced Crushed Rock Base. (Typical on All Approaches)

Construct 3.00' Brick Paver Median with 8" Median Curb and 6.00' Concrete Median Nose. (Typical for all Approaches)

Construct 9" Reinforced Concrete Pavement on 6" Reinforced Crushed Rock Base

The Concrete Apron Behind the Curb Shall be Stamped with a Brick Paver Pattern. Cost to be SUBSIDIARY to the Bid Item for 9" Reinforced Concrete Pavement.



SECTION A-A

Saw & Seal Joints to Match Joints in the Type 1 Curb & Gutter

Install 6" X 12" W4-W4 Wire Welded Fabric

Construct 10.00' Wide Concrete Paving Stone Crosswalk. See Misc. Pavement Detail Sheet.

Construct 9" Reinforced Concrete Pavement on 6" Reinforced Crushed Rock Base Behind Curb Return and Between Wheel Chair Ramps. (Typical on All Four Returns.) See Detail, This Sheet.

Construct 10.00' Wide Concrete Paving Stone Crosswalk. See Misc. Pavement Detail Sheet.

Drawing File: E:\eng\MacArthur\Land\dwg\Base.dwg (Print)
 Design: KK/TPV
 Drawn: TPV
 Approved: TPV
 Scale: NOTED

Project No. 0404E856 CAPITAL IMPROVEMENT PROJECT
MACARTHUR ROAD & MERIDIAN AVENUE
INTERSECTION JOINT PLAN
 MACARTHUR ROAD PAVING - MERIDIAN AVENUE TO SENECA STREET

Baughman Company, P.A.
 315 Ellis St., Wichita, KS 67211 P 316-262-7171 F 316-262-0149
Baughman ENGINEERING | SURVEYING | PLANNING | LANDSCAPE ARCHITECTURE

July 2007
 SHEET
24
 OF
123