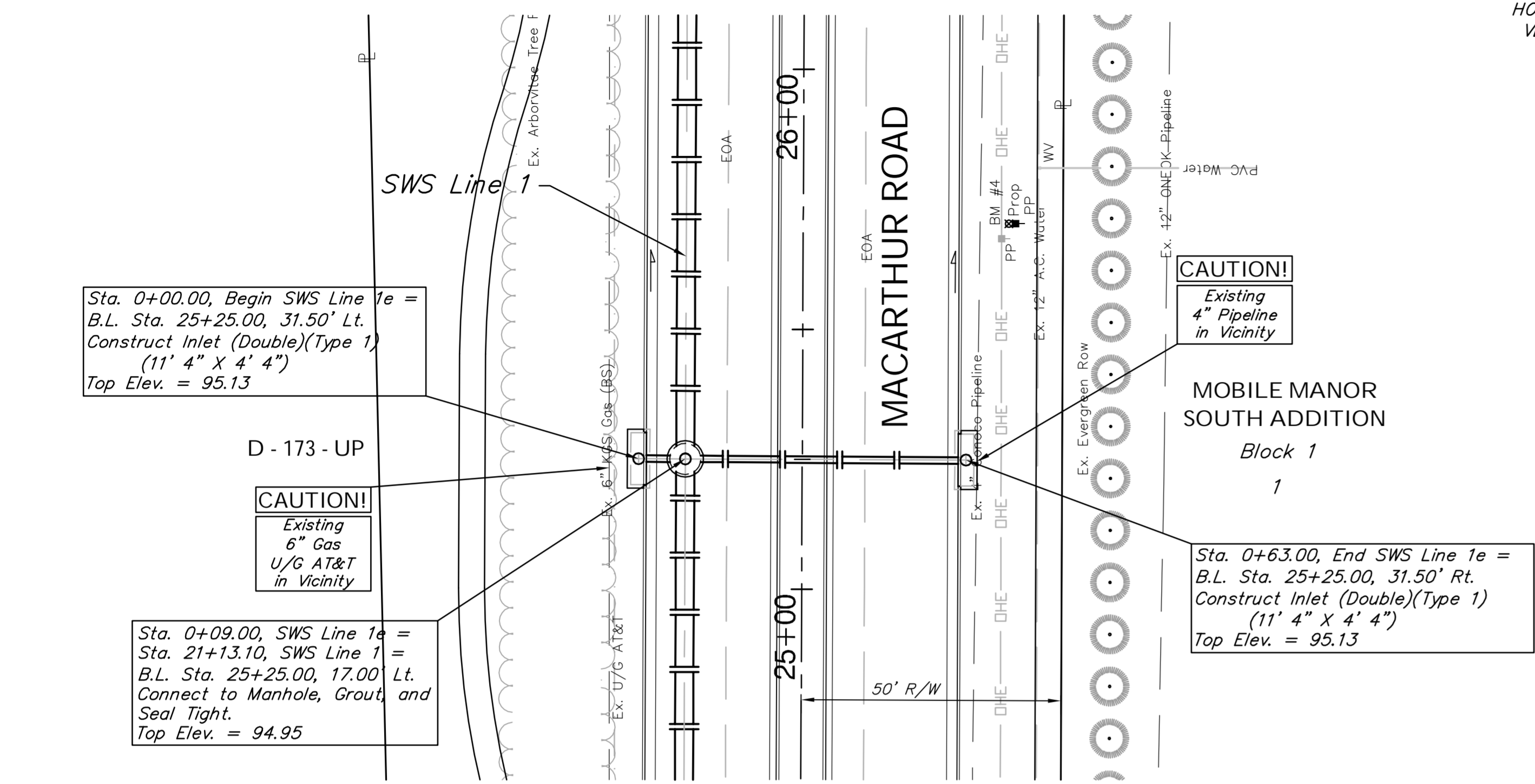
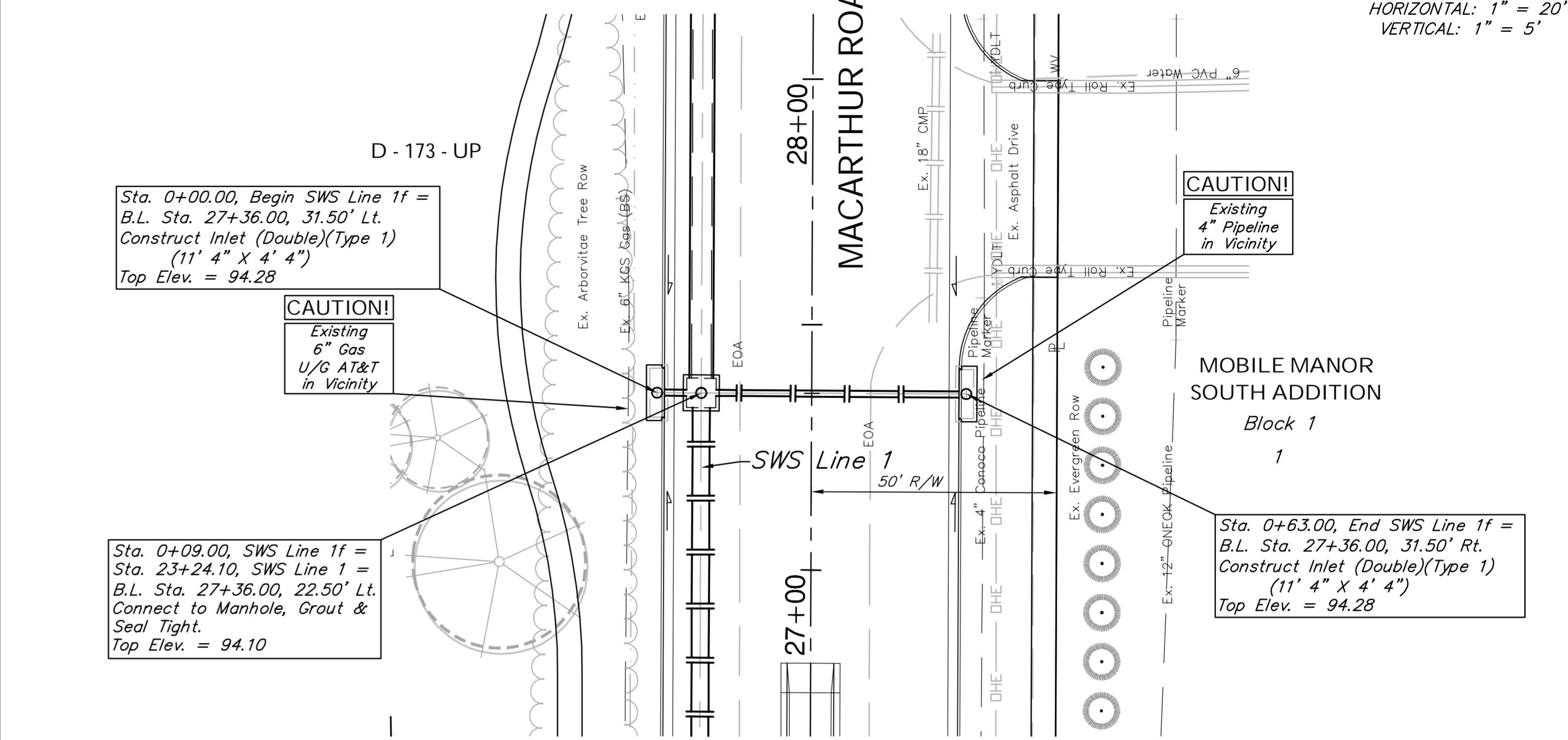


BENCHMARK:
 BM #4 - Railroad Spike in the First High Line Pole West of the East Mobile Home Park Drive on the South Side of MacArthur
 Sta. 25+70, 40' Rt.
 Elev. = 98.59 City Datum

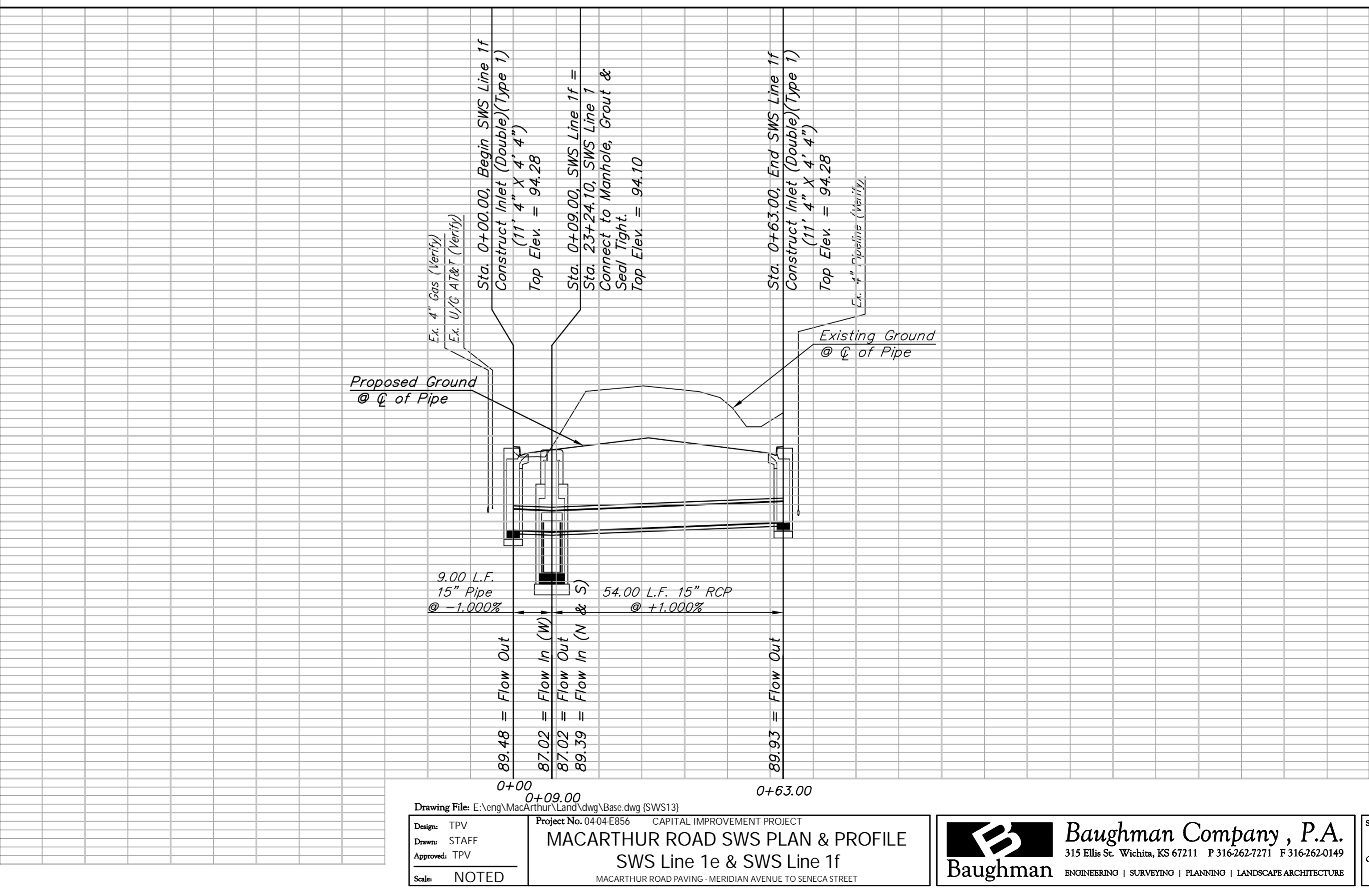
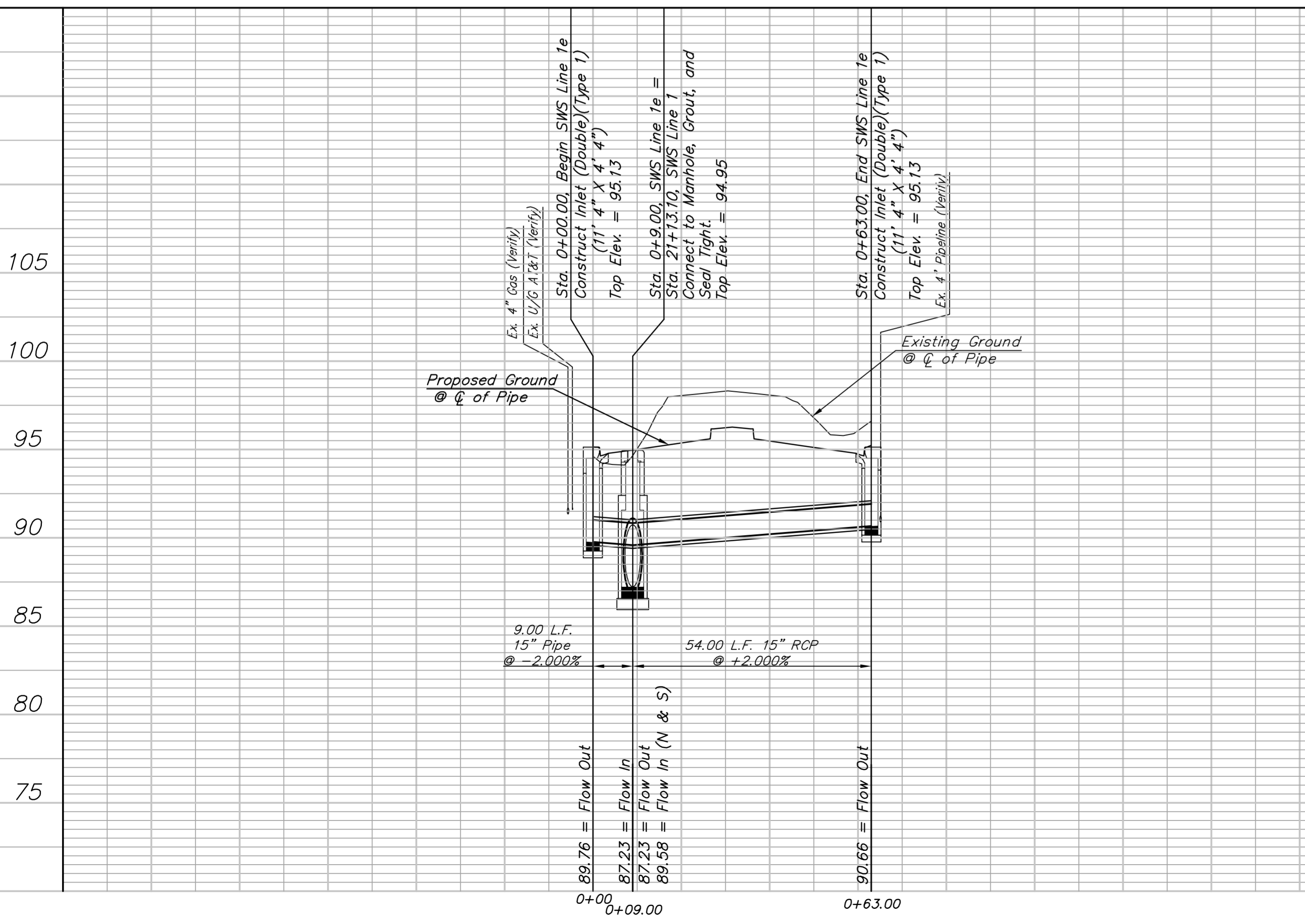


SCALE:
 HORIZONTAL: 1" = 20'
 VERTICAL: 1" = 5'

BENCHMARK:
 BM #4 - Railroad Spike in the First High Line Pole West of the East Mobile Home Park Drive on the South Side of MacArthur
 Sta. 25+70, 40' Rt.
 Elev. = 98.59 City Datum



SCALE:
 HORIZONTAL: 1" = 20'
 VERTICAL: 1" = 5'



Drawing File: E:\eng\MacArthur\Land\dwg\Bases.dwg (SWS13)
 Project No. 0404E856 CAPITAL IMPROVEMENT PROJECT
MACARTHUR ROAD SWS PLAN & PROFILE
 SWS Line 1e & SWS Line 1f
 MACARTHUR ROAD PAVING - MERIDIAN AVENUE TO SENECA STREET

Baughman Company, P.A.
 315 Ellis St., Wichita, KS 67211 P 316-262-7171 F 316-262-0149
 ENDSERVICES | SURVEYING | PLANNING | LANDSCAPE ARCHITECTURE

July 2007
 SHEET 38 OF 123