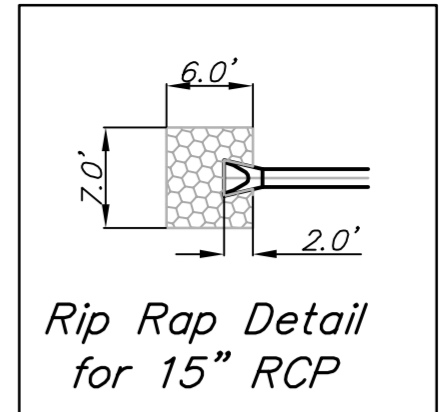
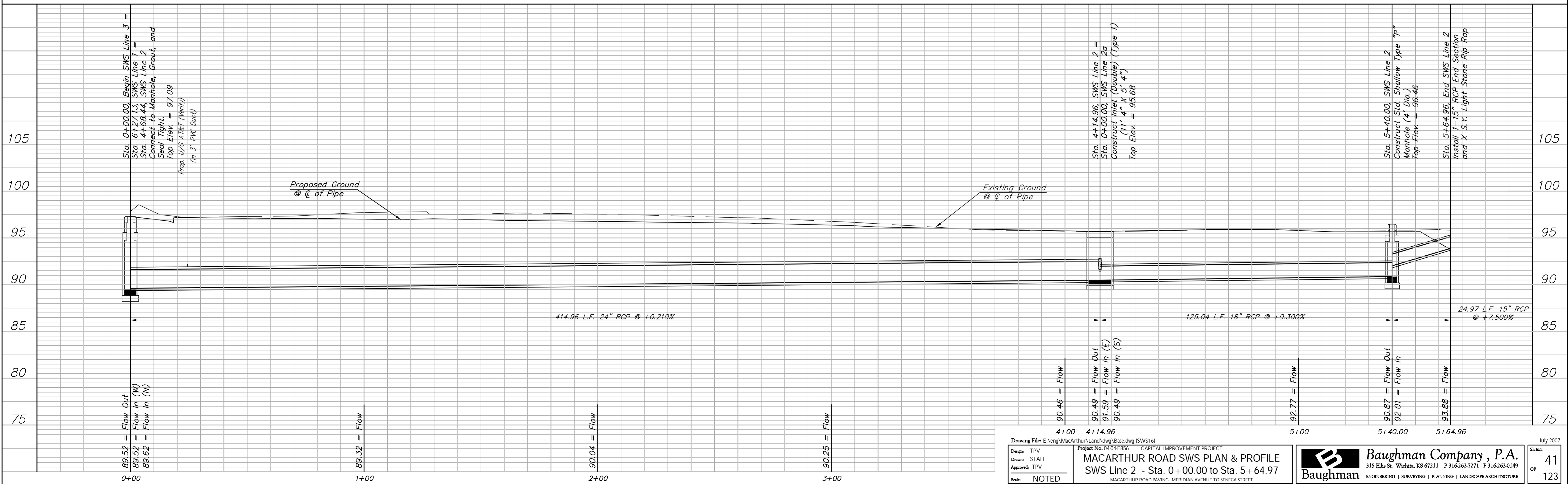
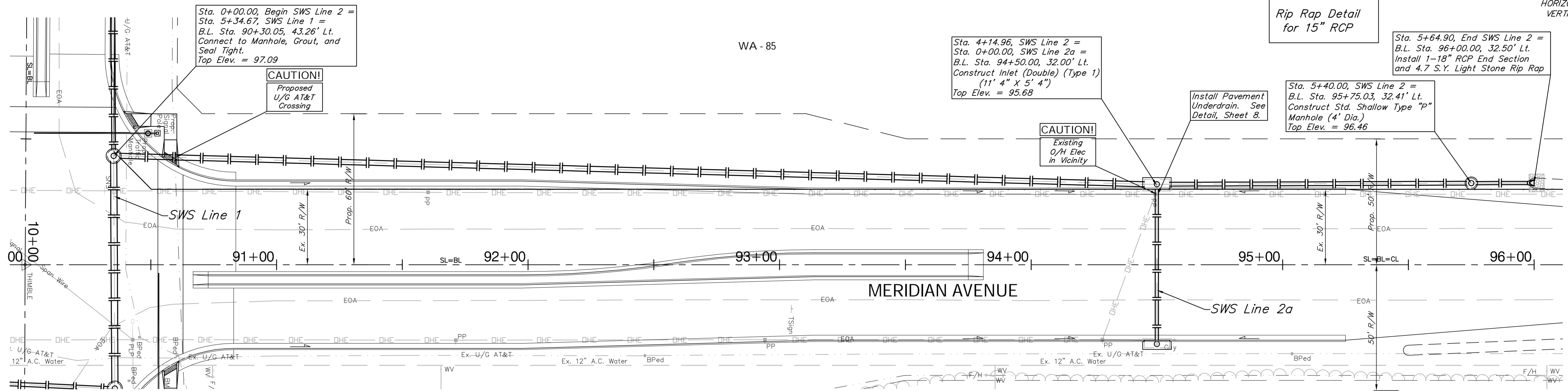


BENCHMARK:
 BM #1 - City of Wichita Disc Located in the Northeast Corner
 of the Intersection of Meridian and MacArthur
 Sta. 10+51, 54' Lt.
 Elev. = 97.46 City Datum

FHWA REGION NO.	STATE	PROJECT NO.	FISCAL YEAR	SHEET NO.	TOTAL SHEETS
7	KANSAS	87 N-0347-01	2007	41	123



SCALE:
 HORIZONTAL: 1" = 20'
 VERTICAL: 1" = 5'



Drawing File: E:\eng\MacArthur_Land\dwg\Base.dwg (SWS16)
 Project No. 0404E856 CAPITAL IMPROVEMENT PROJECT
MACARTHUR ROAD SWS PLAN & PROFILE
 SWS Line 2 - Sta. 0+00.00 to Sta. 5+64.97
 MACARTHUR ROAD PAVING - MERIDIAN AVENUE TO SENECA STREET

Design: TPV	Drawn: STAFF	Approved: TPV	Scale: NOTED
-------------	--------------	---------------	--------------

July 2007
 SHEET 41 OF 123

Baughman Company, P.A.
 315 Ellis St., Wichita, KS 67211 P 316-262-0149 F 316-262-0149
 Baughman ENGINEERING | SURVEYING | PLANNING | LANDSCAPE ARCHITECTURE