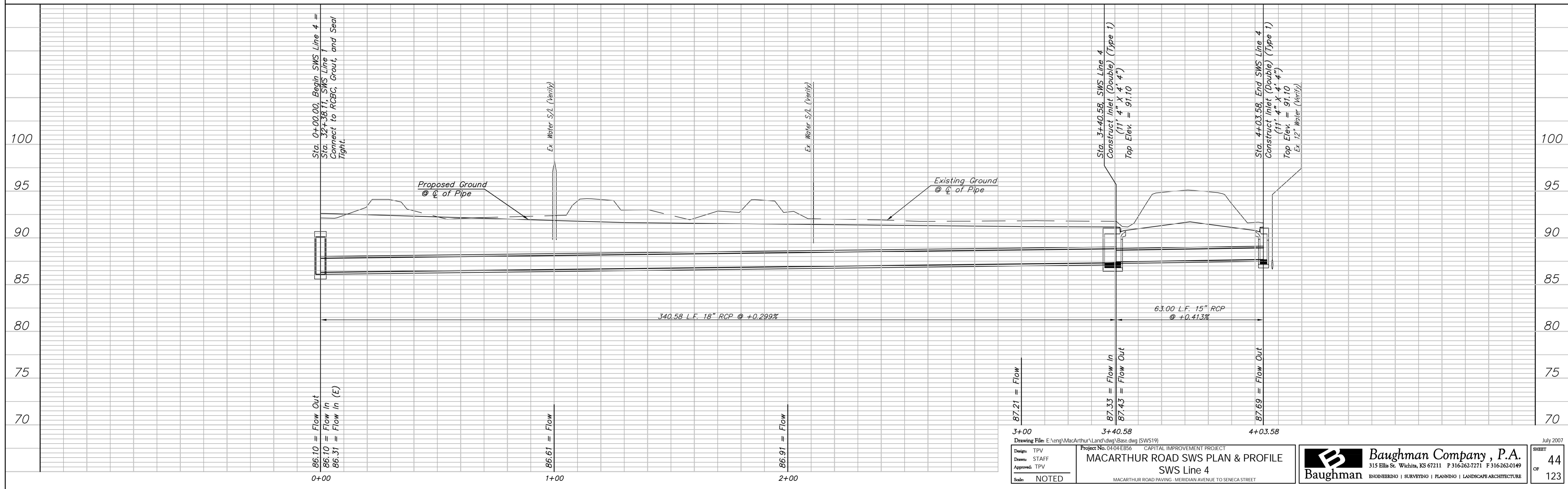
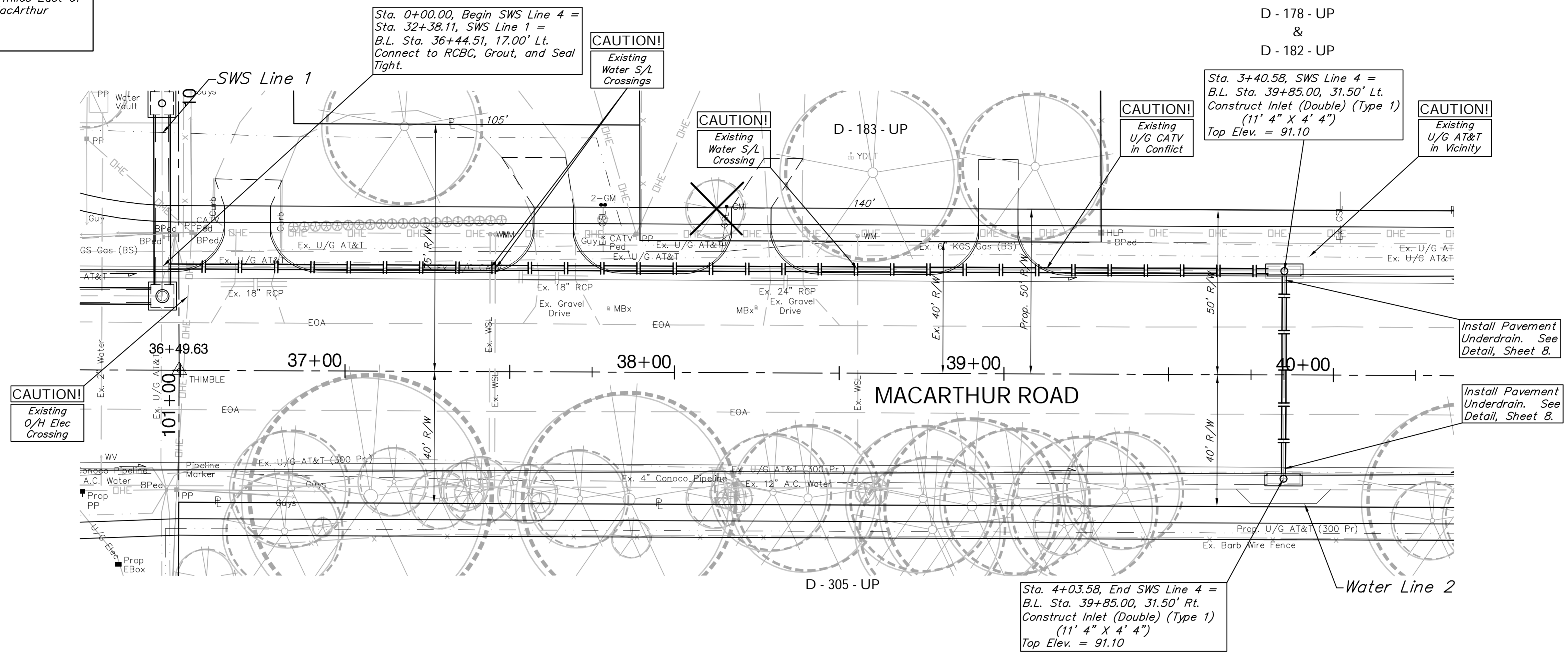
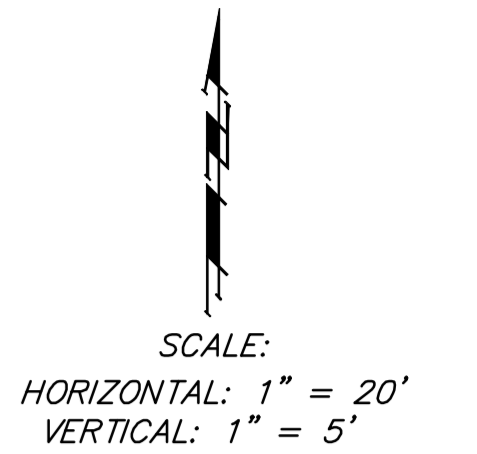


BENCHMARK:
 BM #5 - City of Wichita Disc Located 0.5 miles East of Meridian on the North Side of MacArthur
 Sta. 36+07, 84' Lt.
 Elev. = 93.61 City Datum

FHWA REGION NO.	STATE	PROJECT NO.	FISCAL YEAR	SHEET NO.	TOTAL SHEETS
7	KANSAS	87 N-0347-01	2007	44	123



3+00
 Drawing File: E:\eng\MacArthur\Land\dwg\Bases.dwg (SWS19)
 Project No. 04-04-E856 CAPITAL IMPROVEMENT PROJECT
 MACARTHUR ROAD SWS PLAN & PROFILE
 SWS Line 4
 MACARTHUR ROAD PAVING - MERIDIAN AVENUE TO SENECA STREET
 Scale: NOTED