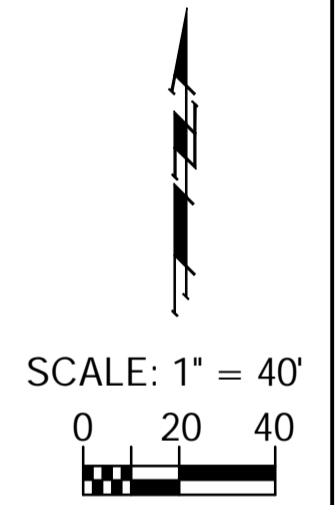
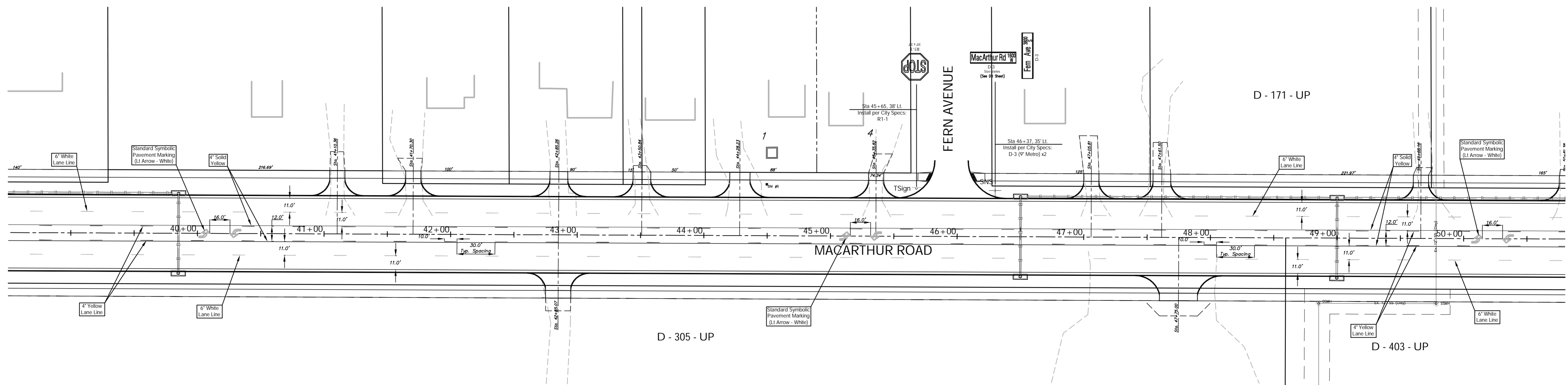
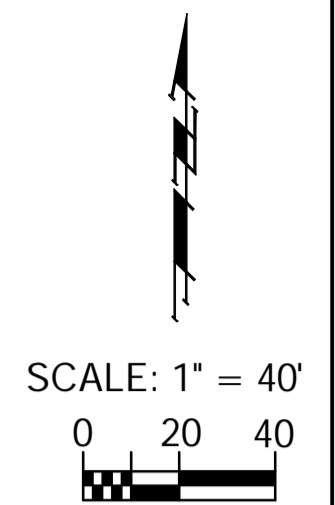
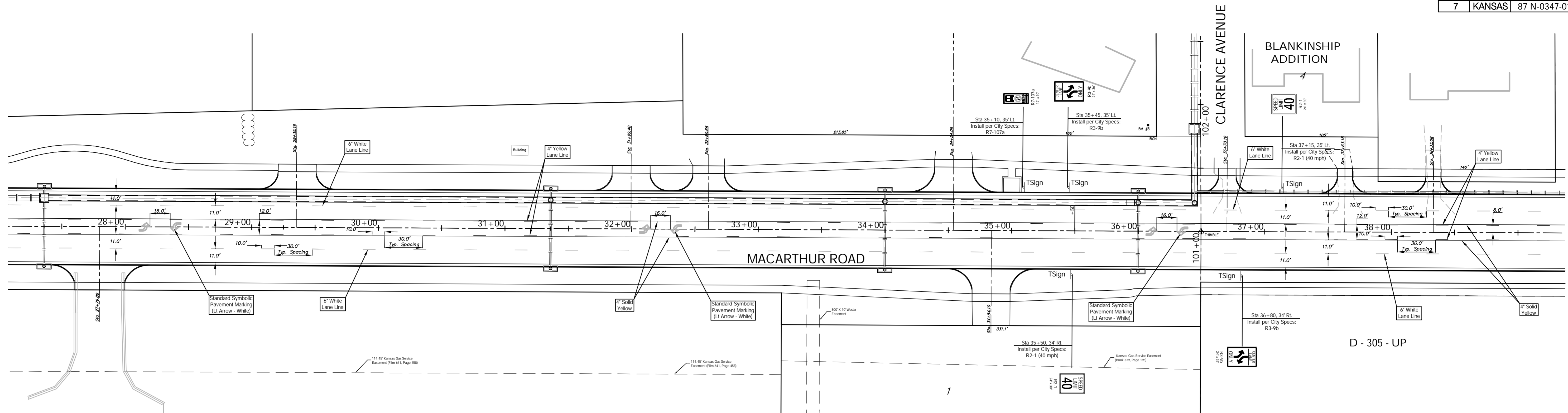


FHWA REGION NO.	STATE	PROJECT NO.	FISCAL YEAR	SHEET NO.	TOTAL SHEETS
7	KANSAS	87 N-0347-01	2007	72	123



Drawing File: E:\MacArthur\Land\vdwg\Base.dwg (Mark02)

Design: TPV
 Drawn: TPV
 Approved: TPV
 Scale: NOTED

Project No. 0404 EB56 CAPITAL IMPROVEMENT PROJECT
MACARTHUR ROAD MARKING & SIGNING PLAN
 MACARTHUR ROAD PAVING - MERIDIAN AVENUE TO SENECA STREET

July 2007
 SHEET 72 OF 123