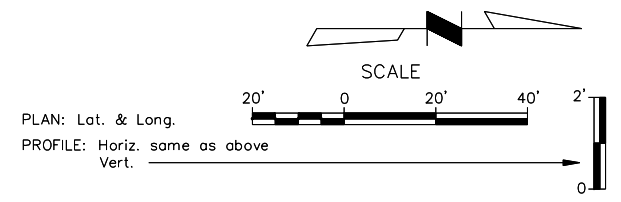
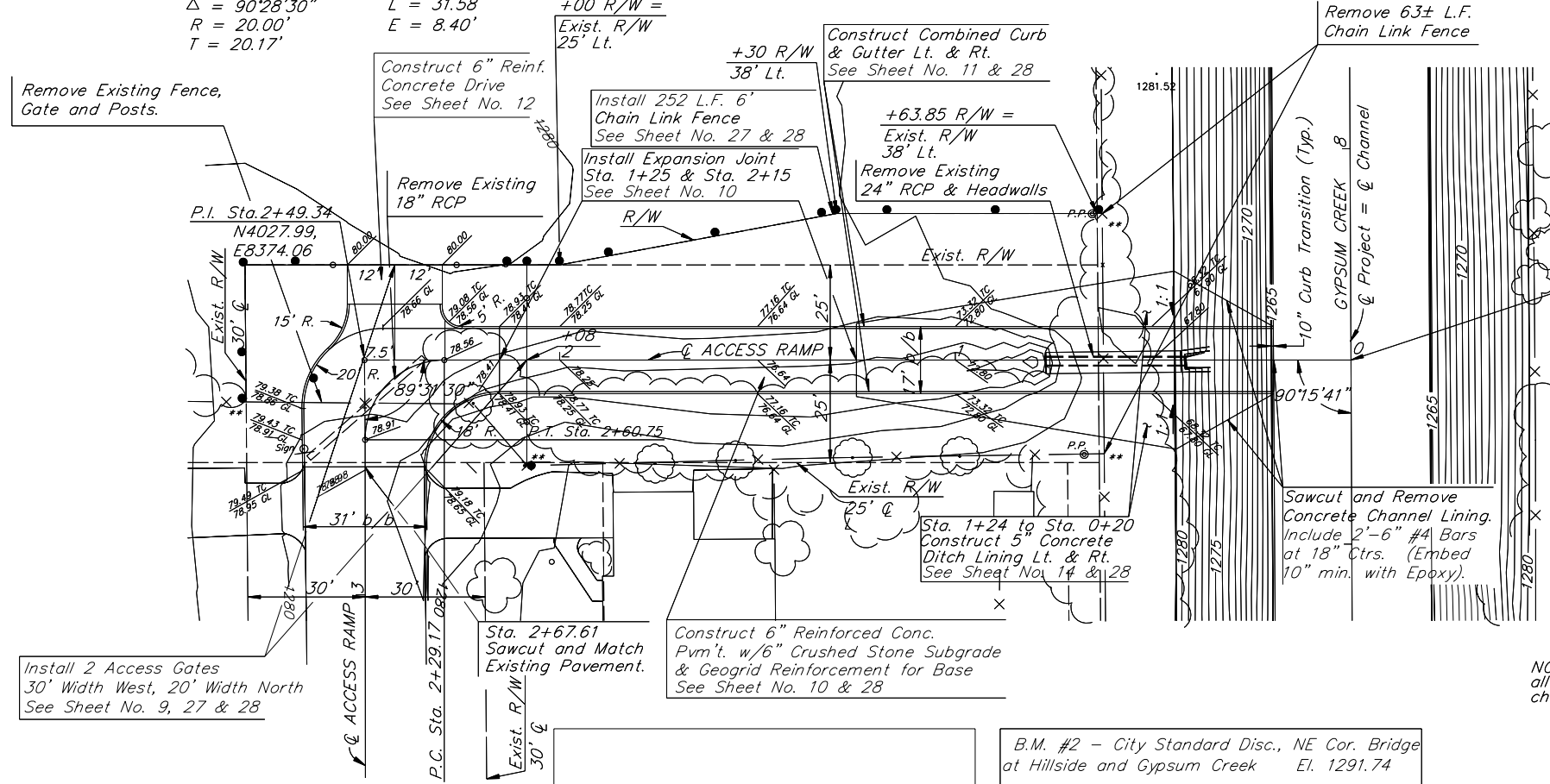


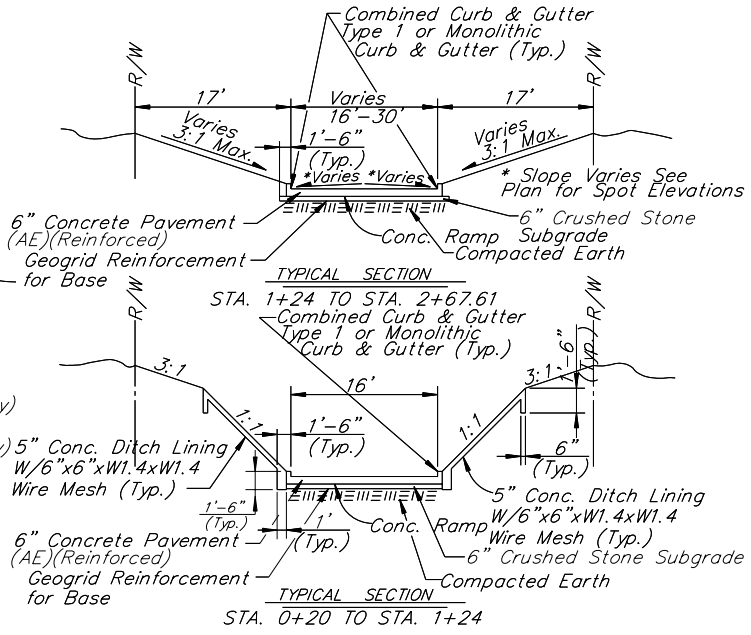
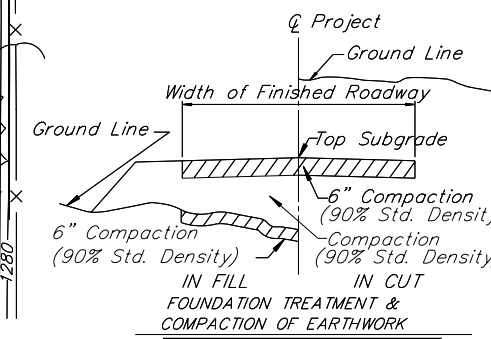
CURVE DATA

P.I. @ Sta. 2+49.34 Bk. = Q Sta. 2+40.58 Ahd.
 $\Delta = 90^\circ 28' 30''$ L = 31.58'
R = 20.00' E = 8.40'
T = 20.17'

** Connect to Existing Fence with New Post as Necessary (Subsidiary).



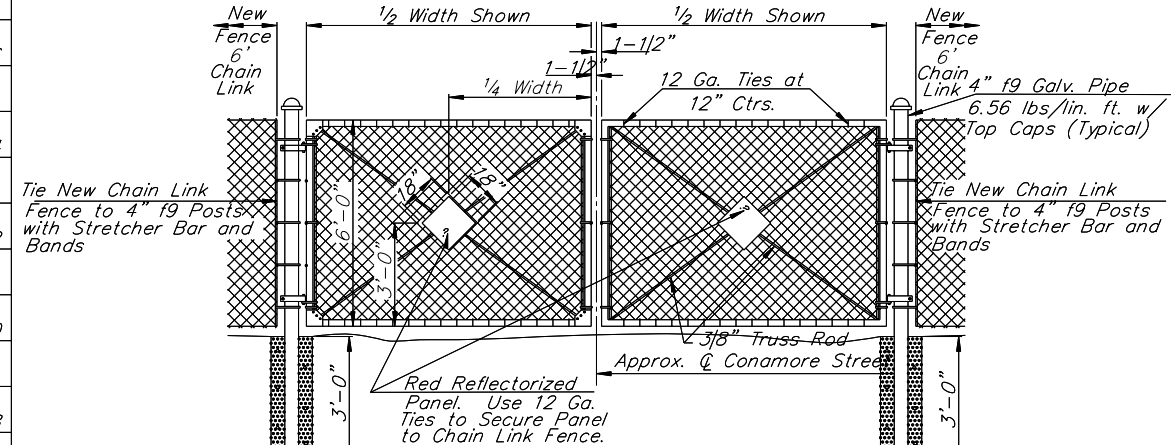
Sta. 0+00 @ Ramp = Sta. 8+53.44 @ Channel N4277.33, E8374.06



NOTE: Unless otherwise noted on the Plans, all embankment, including access ramp and channels, shall be compacted.

NOTES:

- 6" Concrete Pavement shall comply with City of Wichita Specifications for Concrete Pavement.
- 5" Concrete Pavement shall comply with City of Wichita Specifications for sidewalks with the exception of joint spacing and grade.
- For both 5" and 6" Concrete Pavement, expansion joints shall be placed at a maximum of 150' and contraction joints at a maximum of 15'.
- 6" Concrete Pavement shall have a rough broom finish perpendicular to the flow of travel.
- Install 4" diameter weep-holes every 30' in 5" pavement 1' above top of curb, sta. 0+20 to sta. 1+24 Lt. & Rt.
- 6" Crushed Stone Subgrade shall meet that specified in the KDOT Standard Specifications for State Road and Bridge Construction, Latest Edition.



GENERAL NOTES:

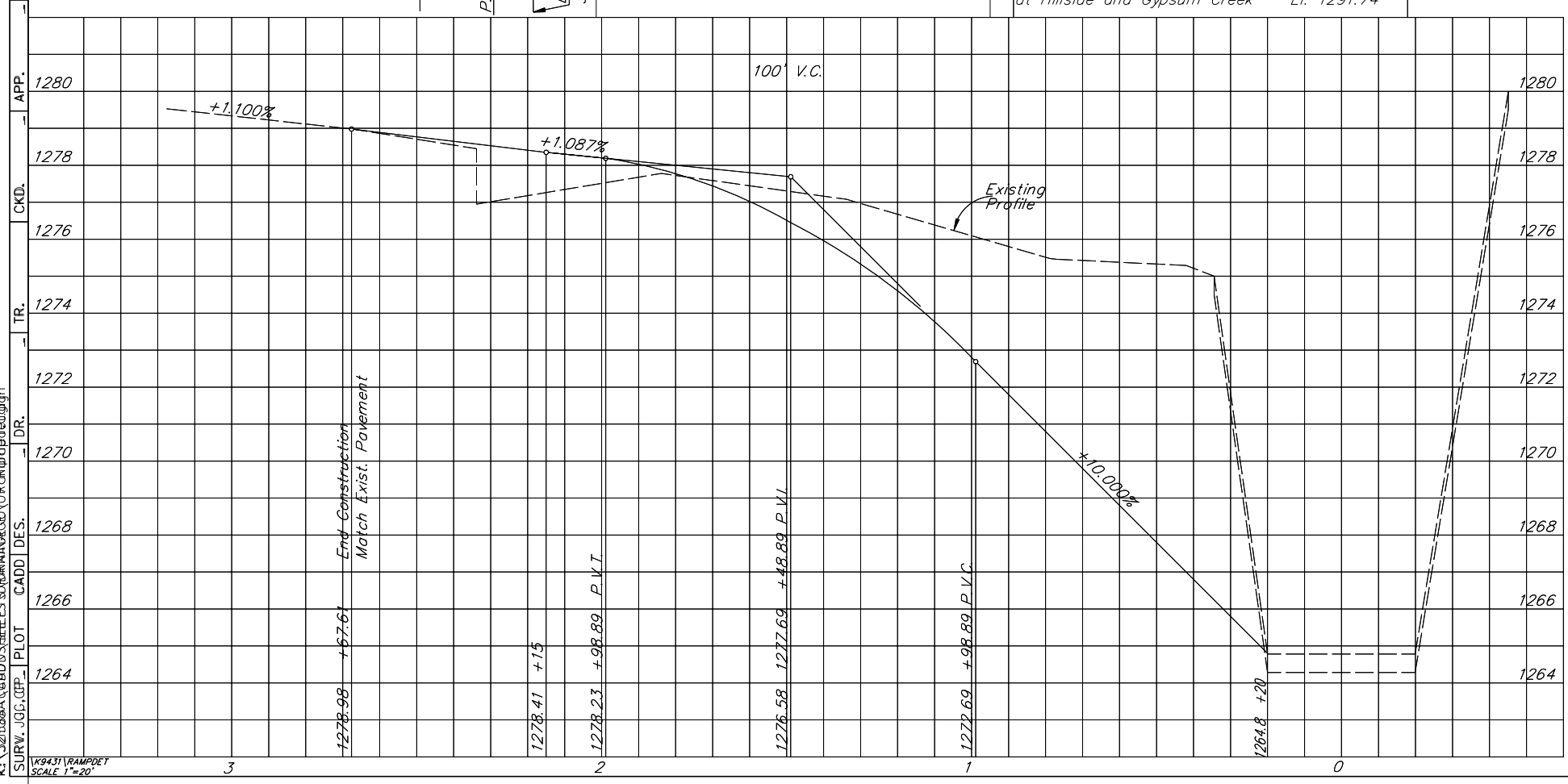
The Contractor shall supply all materials and labor to install the gates and posts, as shown on the details. For the City of Wichita's approval the Contractor will submit a plan showing details of the gates, as to pipe sizes, brackets, and hardware necessary to complete the gate installation.

All steel posts, bracing, and gate frames shall be galvanized.

All concrete used in fence installation shall conform to the requirements of the City of Wichita.

The contractor shall supply and install a 18"x18" reflectorized red diamond panel, to be installed on each gate panel, as shown on the details.

The bid item "Gate Installation" will include all items necessary to complete the installation and construction of the gate and posts. Gates shall be capable of being anchored and locked in both open and closed positions.



SURV. JGC, CIP, PLOT CADD DES. DR. TR. CKD. APP.