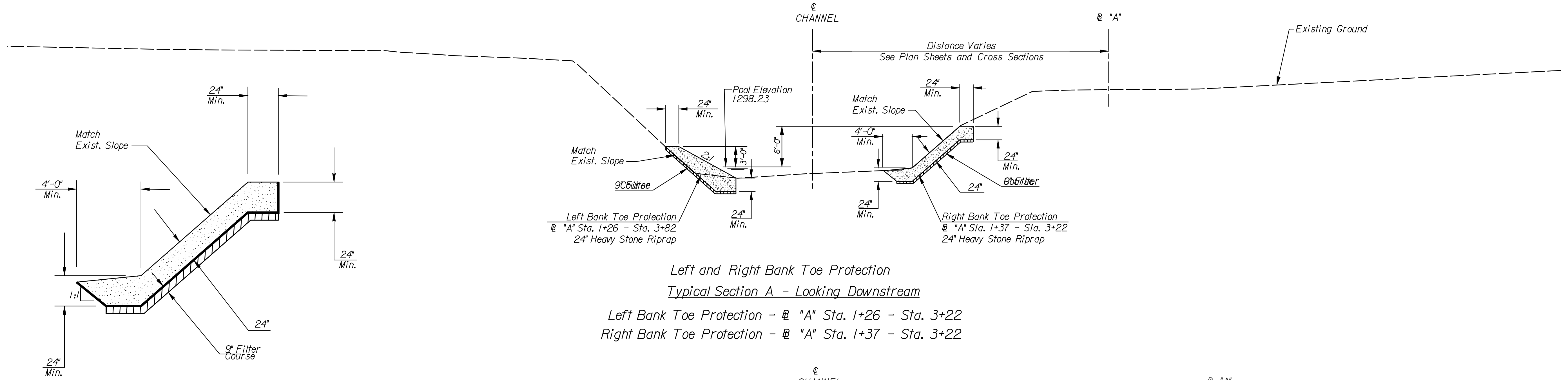


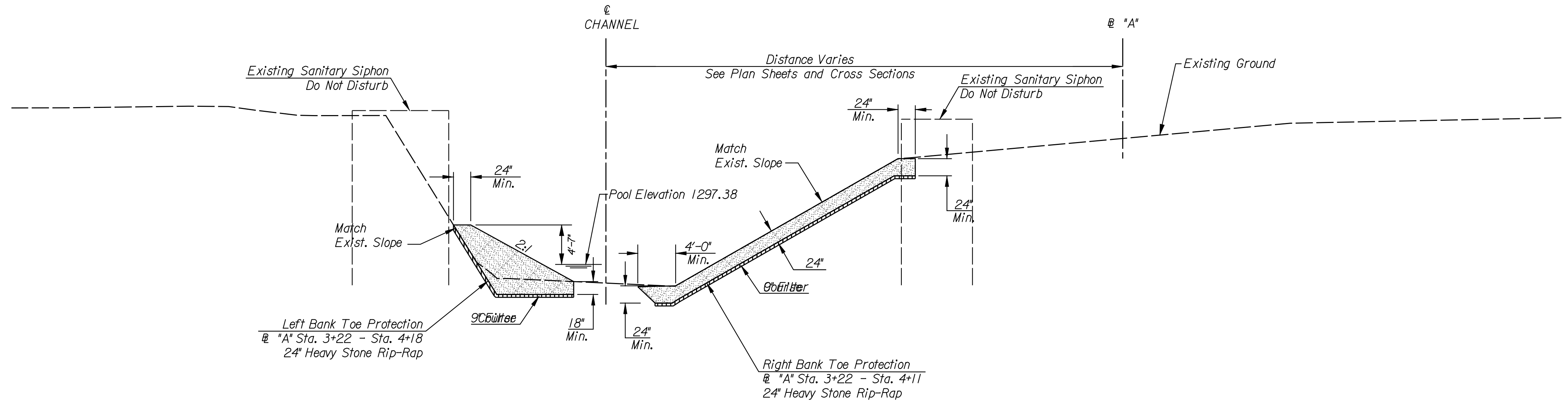
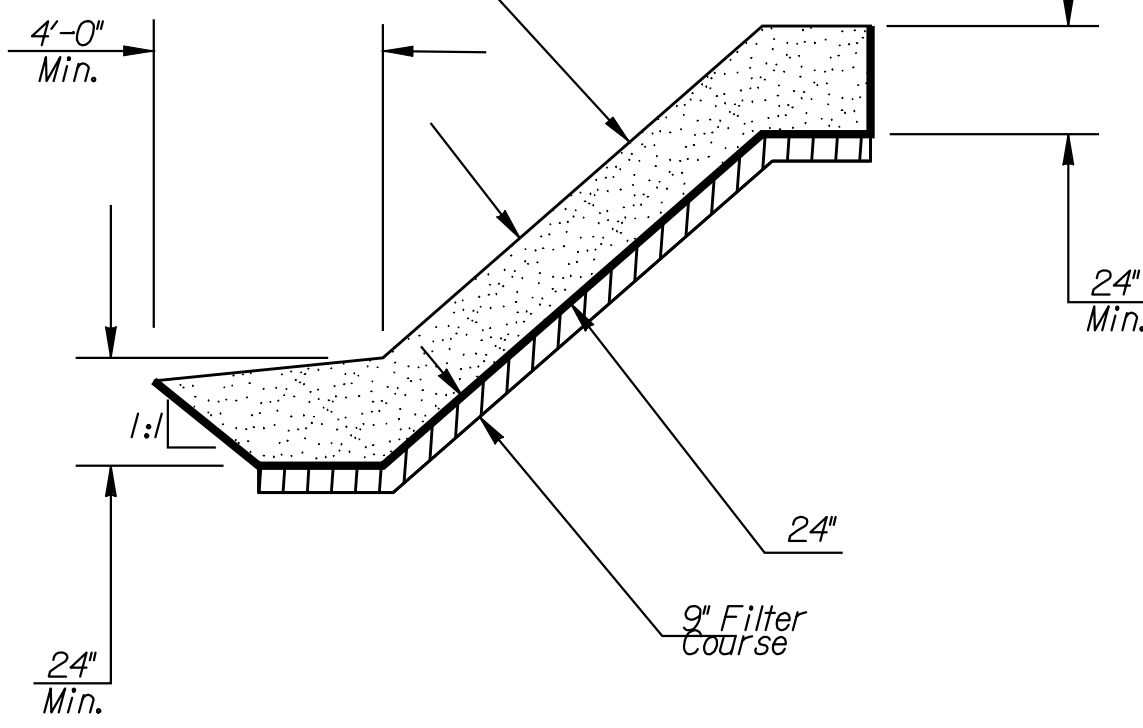
APPROVED	DESIGNED	DETAILED
DESIGN CK.	DESIGN CK.	DETAIL CK.
QUANTITIES	QUANTITIES	TRACE CK.
QUANCK.	QUANCK.	

Plotfiled on: 25-OCT-2007 02:52 PM Model: Model  
 By: mpotts Plot Scale: 4,000,000:1,000,000 Pen Table: \\Kcow00\Enviro\44616 - Gyp Cr P.W Final\Library\p180-Fullpen  
 Design File: \\Kcow00\Enviro\44616 - Gyp Cr P.W Final\CD\Drainage\Drain\_typ01.dgn

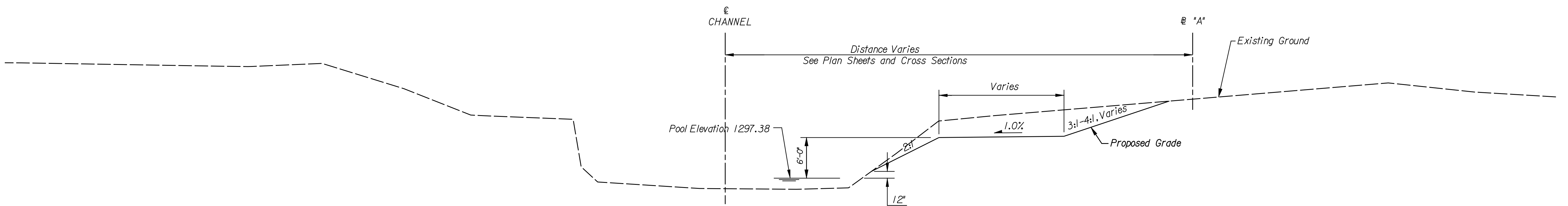


**Left and Right Bank Toe Protection**  
**Typical Section A - Looking Downstream**  
 Left Bank Toe Protection - @ "A" Sta. 1+26 - Sta. 3+22  
 Right Bank Toe Protection - @ "A" Sta. 1+37 - Sta. 3+22

**Typical Bank Toe Protection Detail**  
**Heavy Stone Riprap**



**Left and Right Bank Toe Protection**  
**Typical Section B - Looking Downstream**  
 Left Bank Toe Protection - @ "A" Sta. 3+22 - Sta. 4+18  
 Right Bank Toe Protection - @ "A" Sta. 3+22 - Sta. 4+11



**Right Bank Grading**  
**Typical Section C - Looking Downstream**  
 @ "A" Sta. 4+11 - Sta. 5+71

NO.	DATE	BY	APP'D	REVISIONS
4				
3				
2				
1				