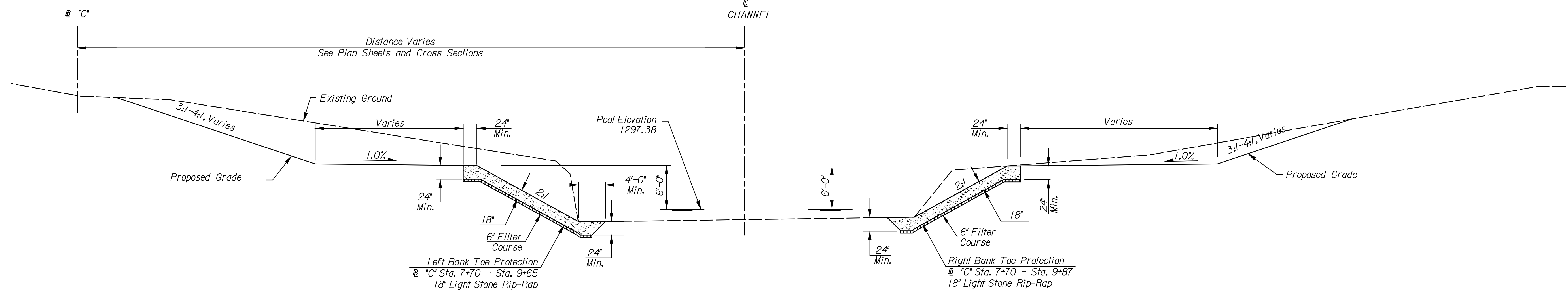
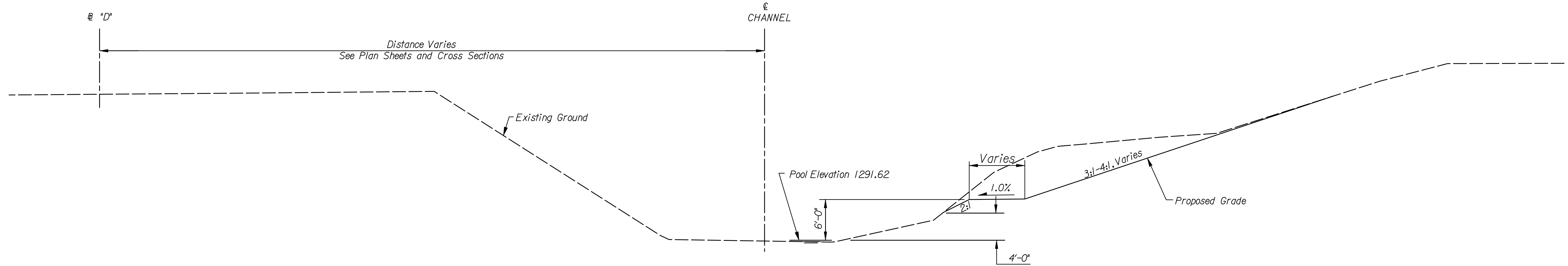


APPROVED	DESIGNED	DETAILED
DESIGN CK.	DESIGN CK.	DETAIL CK.
QUANTITIES	QUANTITIES	TRACED
QUANLCK.	QUANLCK.	TRACE CK.

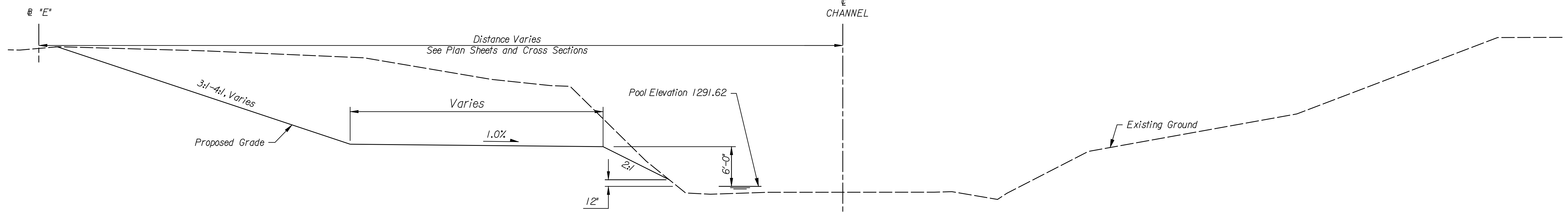
Plotfiled on: 25-OCT-2007 02:52 PM Model: Model
 By: mpotts Plot Scale: 4,000,000:1 Pen Table: \\Kcow00\Enviro\44616 - Gyp Cr P.W Final\Library\p180-Fullpen
 Design File Names: \\Kcow00\Enviro\44616 - Gyp Cr P.W Final\CD\Drainage\Drain_typ03.dgn



Left and Right Bank Grading and Toe Protection
 Typical Section G Looking Downstream
 Left Bank Grading - @ "C" Sta. 7+70 - Sta. 9+65
 Right Bank Grading - @ "C" Sta. 7+70 - Sta. 9+87



Right Bank Grading
 Typical Section H - Looking Downstream
 @ "D" Sta. 1+00 - Sta. 2+92



Left Bank Grading
 Typical Section I - Looking Downstream
 @ "E" Sta. 1+00 - Sta. 7+58

SHEET NO.	TOTAL SHEETS
7	65

7460 W 130th St, Suite 400
 Overland Park, KS 66213
 (913) 481-8833



CITY OF
 WICHITA, KANSAS



NO.	DATE	BY	APPRO	REVISIONS
4				
3				
2				
1				

GYPSUM CREEK FLOOD CONTROL
 TYPICAL SECTIONS