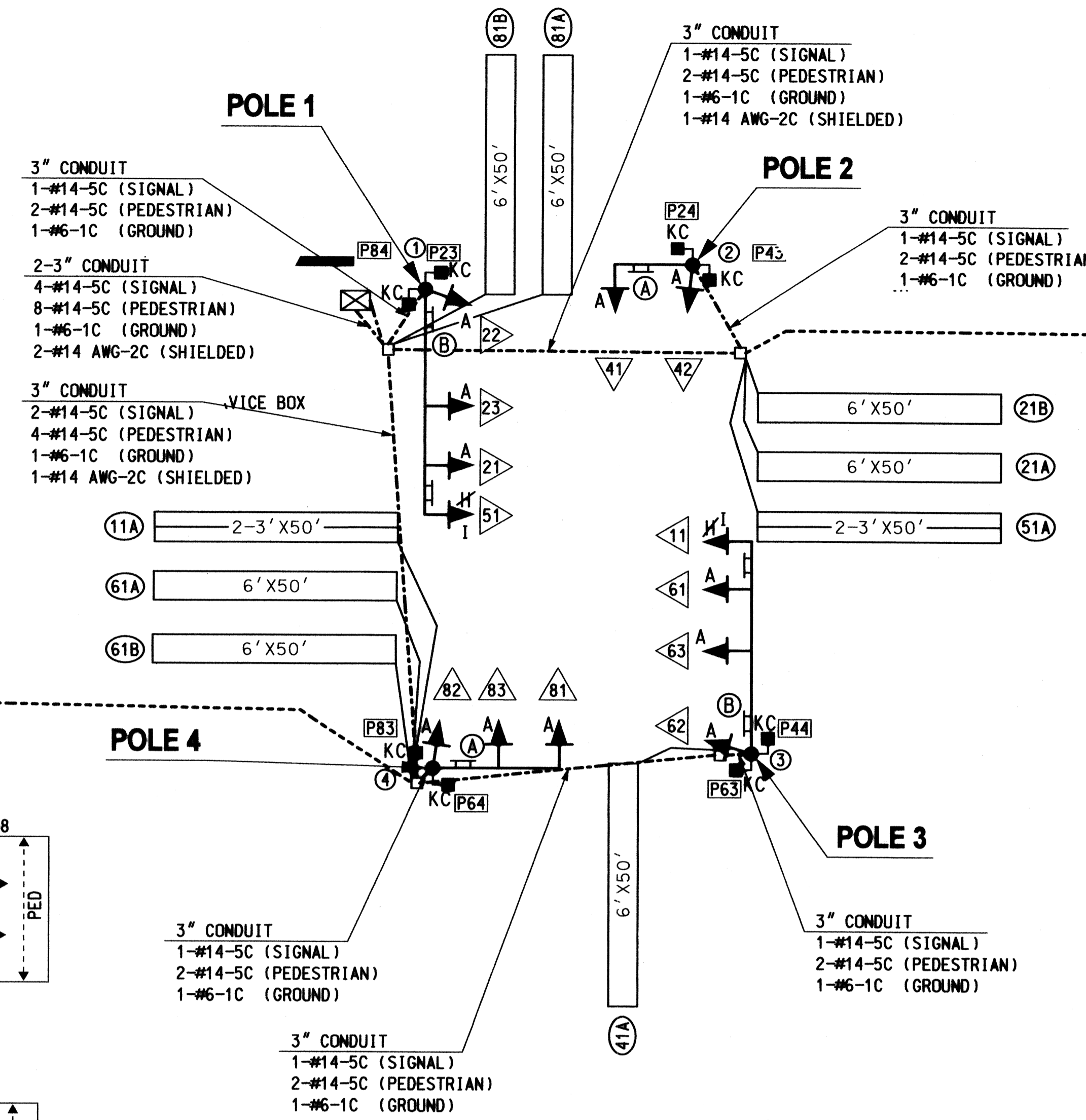
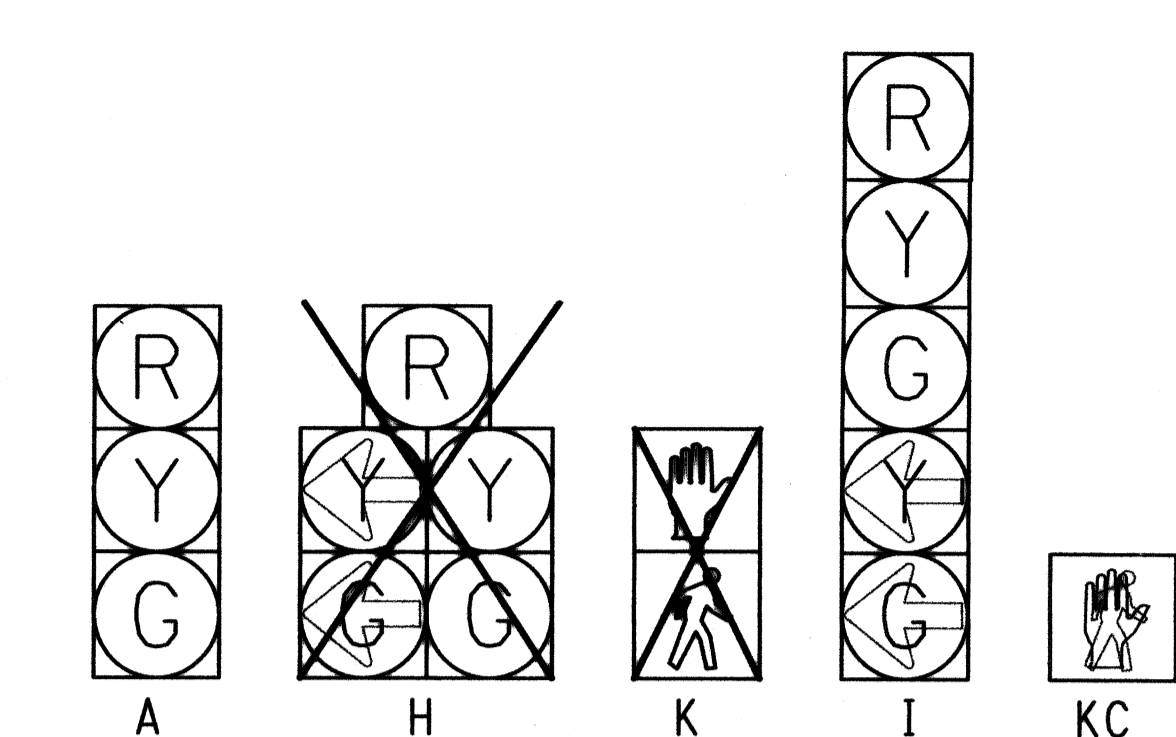
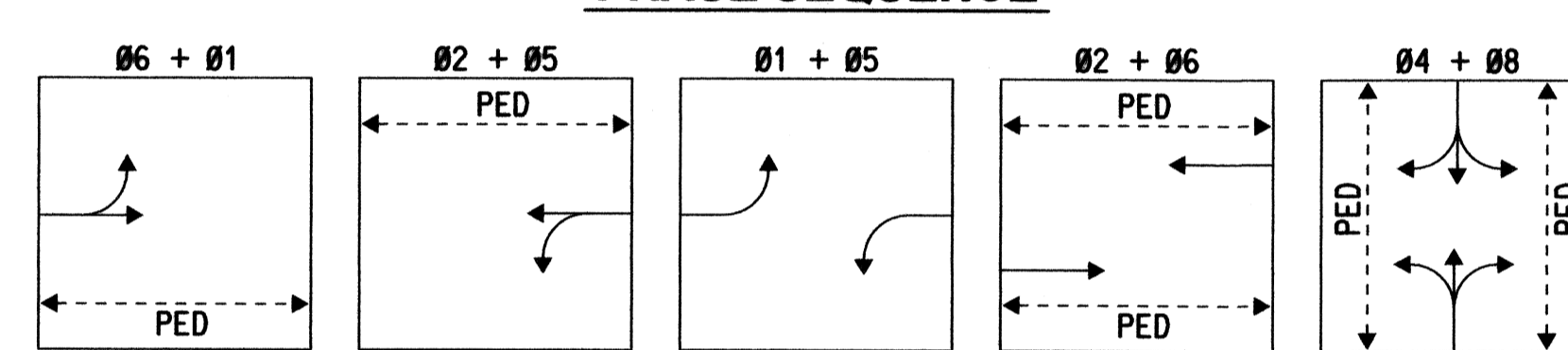


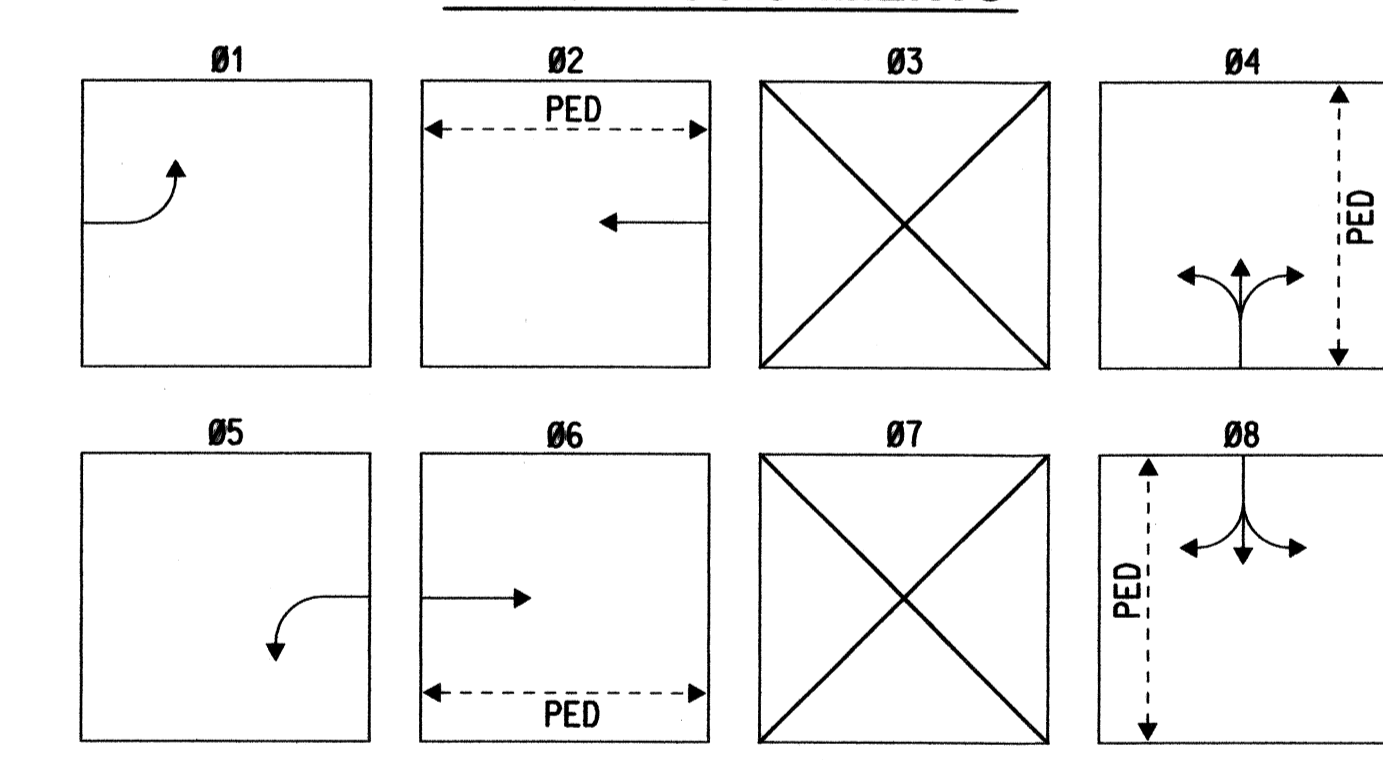
REVISIONS		
NO.	DESCRIPTION	DATE



PHASE SEQUENCE



PHASE ASSIGNMENTS

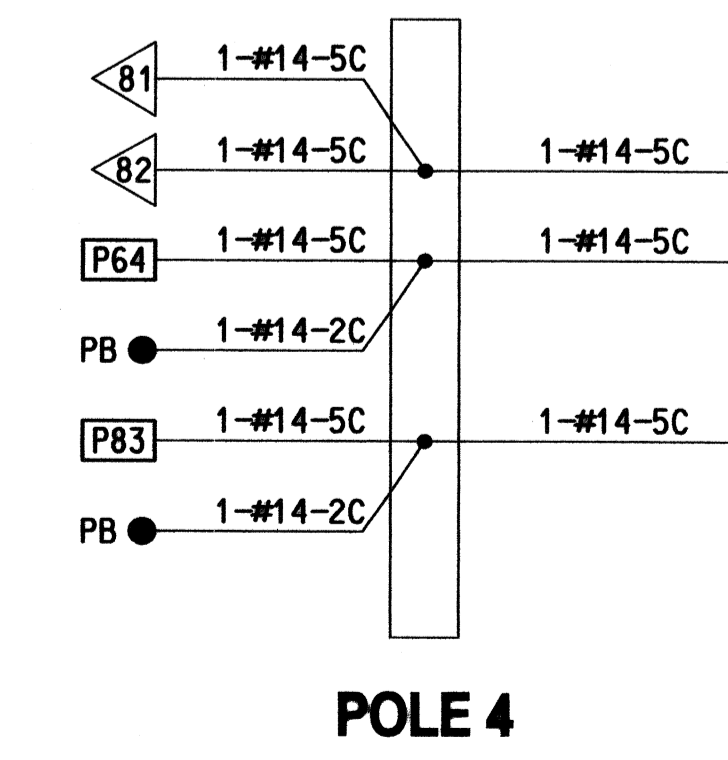
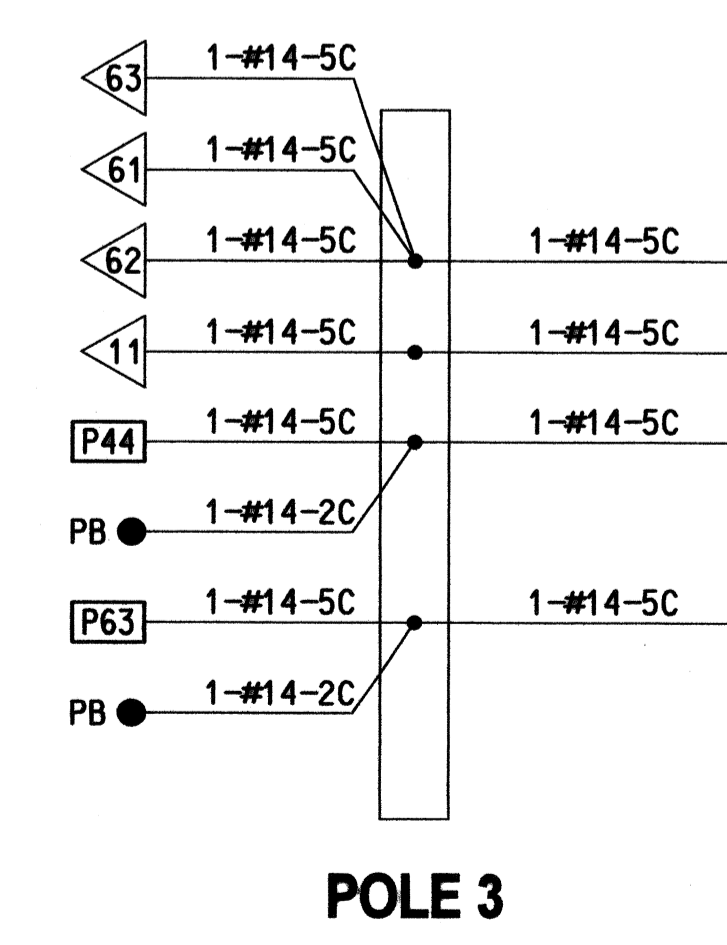
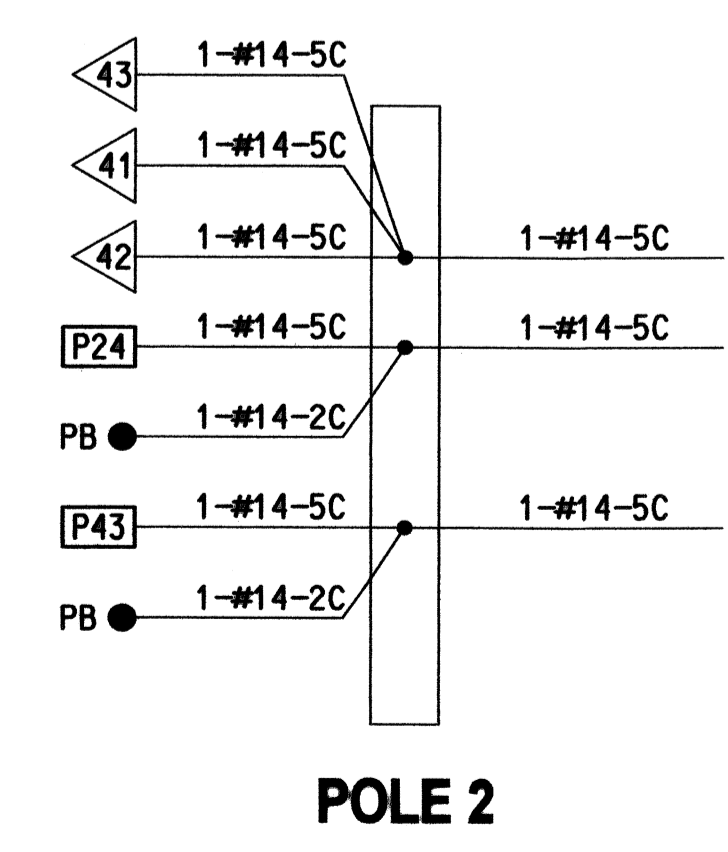
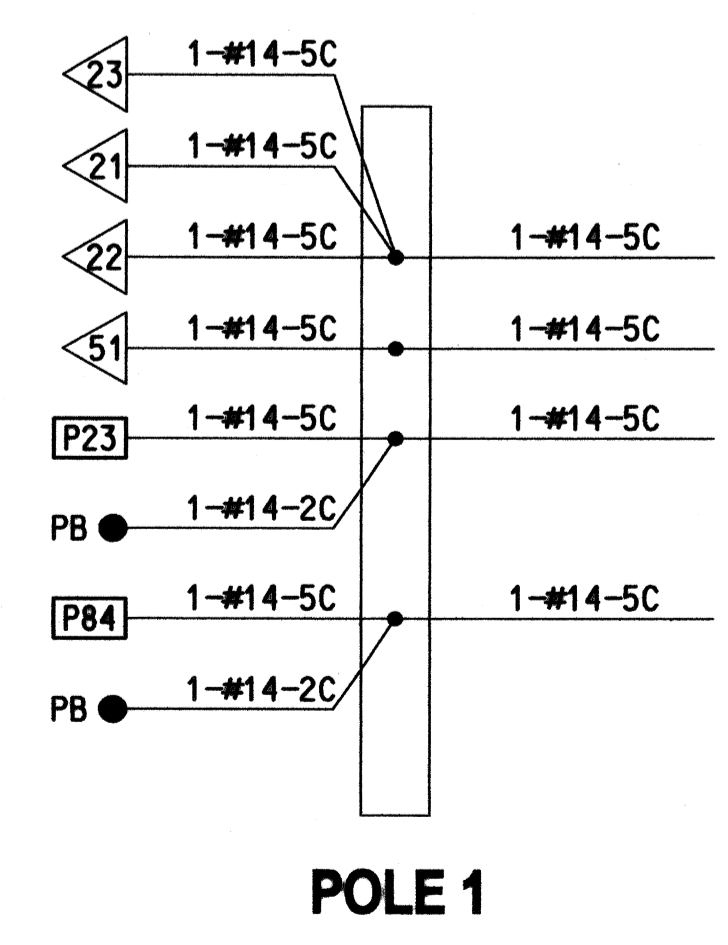


TIMING CHART
(SECONDS)

	01	02	03	04	05	06	07	08	P2	P4	P6	P8
ACTUATION DELAY				6								
INITIAL GREEN		10		10	15	10						
MAX. GREEN		45		35	15	45						
PASSAGE TIME		2.0		2.0		2.0						
YELLOW		4.0		3.5	3.5	4.0						
ALL RED		1.0		1.0		1.0						
REST-IN PHASE												
WALK												
FLASH DON'T WALK												

LEGEND

- VD-3 VIDEO DETECTION CAMERA NO.
- 22 VIDEO DETECTION NUMBER
- A SIGN LETTER
- ⓐ SERVICE BOX NUMBER
- SERVICE BOX
- ⊠ CONTROLLER
- ⊠ WALK AND DON'T WALK
- ▶ SIGNAL HEAD WITH BACKPLATE
- ▶ SIGNAL HEAD, NO BACKPLATE
- ▶ LUMINAIRE WITH MAST ARM
- ▶ OPTICAL DETECTOR
- ▶ VIDEO CAMERA
- ▶ STREET NAME SIGN
- ▶ MAST ARM WITH POLE
- ▶ SIGNAL HEAD NO.
- ▶ MAST ARM & POLE WITH ABOVE SYMBOLS
- ▶ VIDEO DETECTOR ZONE



TRAFFIC ENGINEERING CONSULTANTS

Toad E. Butler
TOOD E. BUTLER, P.E. # 18710
 C.A. # E-1150, RENEWAL 12-31-06

3-26-07
DATE

6000 S. Western, Suite 300 - Oklahoma City, OK 73109, Ph: 406-720-7721, Fax: 406-720-9848, Web: www.tecokc.com

Design	RWR	12/13/06
Drawn	GDB	12/13/06

TRAFFIC SIGNAL WIRING DIAGRAM
54th STREET & MERIDIAN AVE.

Project No. 178PPP (607879) Sheet No. 17
 SEDGWICK COUNTY

03/23/07 F:\CAD\T-5663\DWG\REV\007