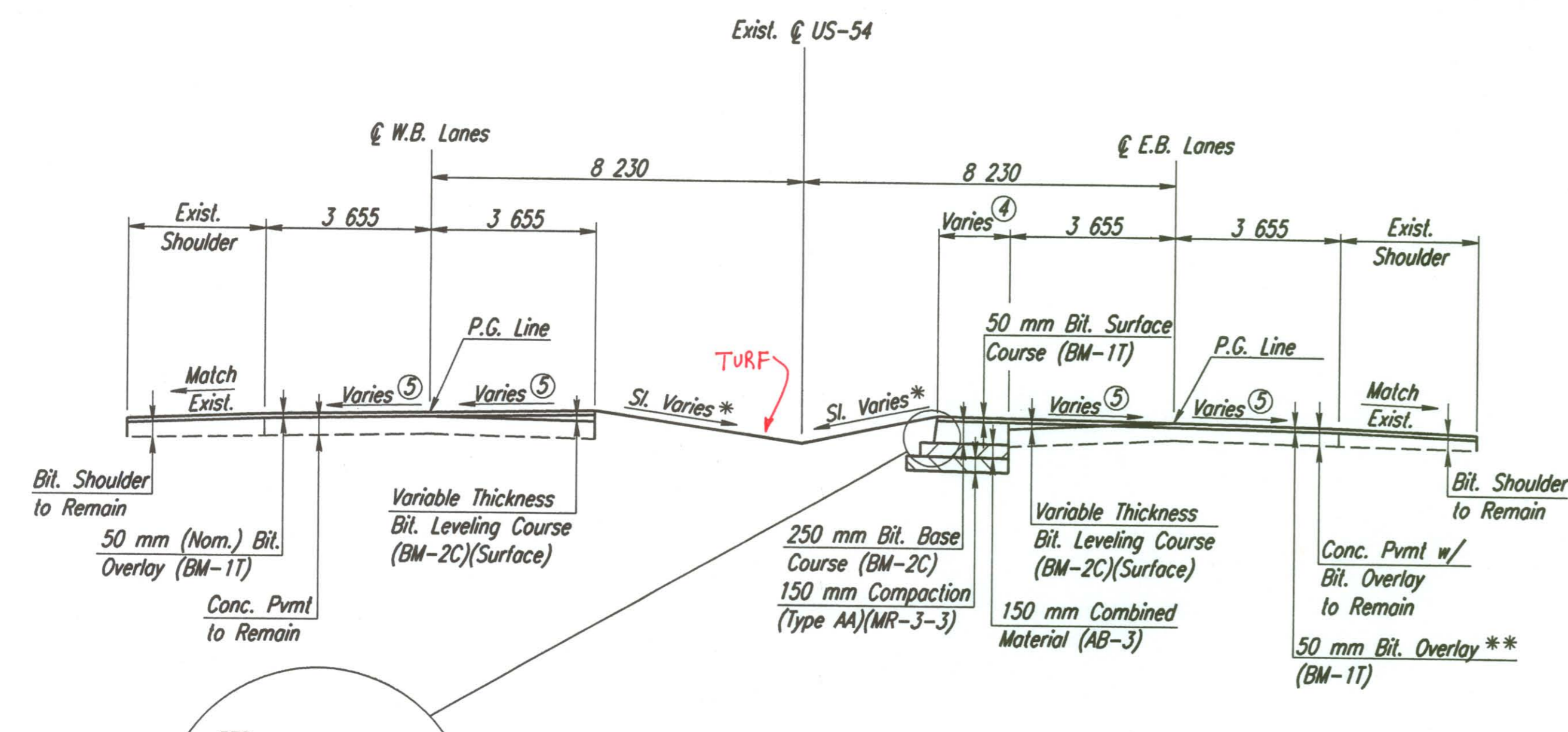
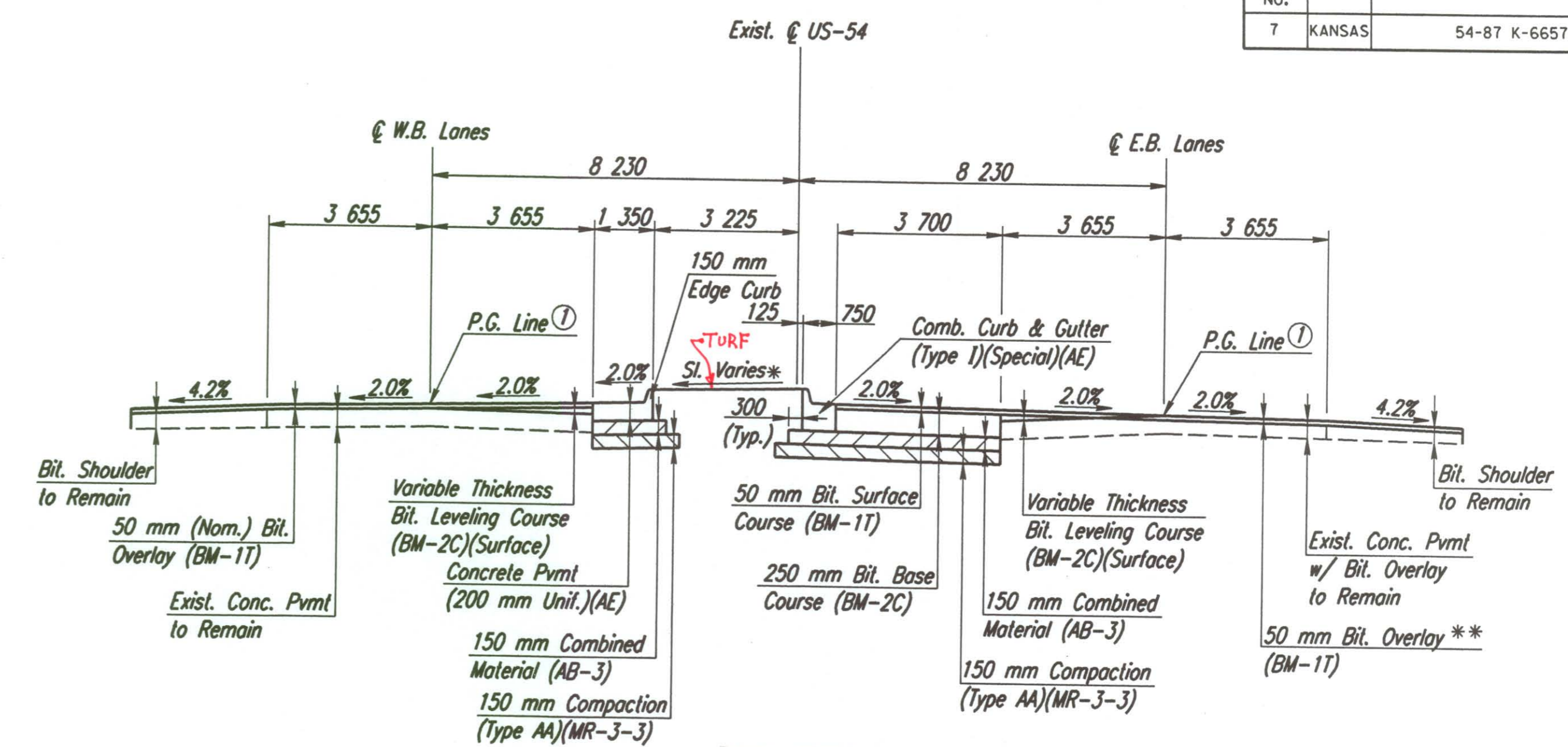


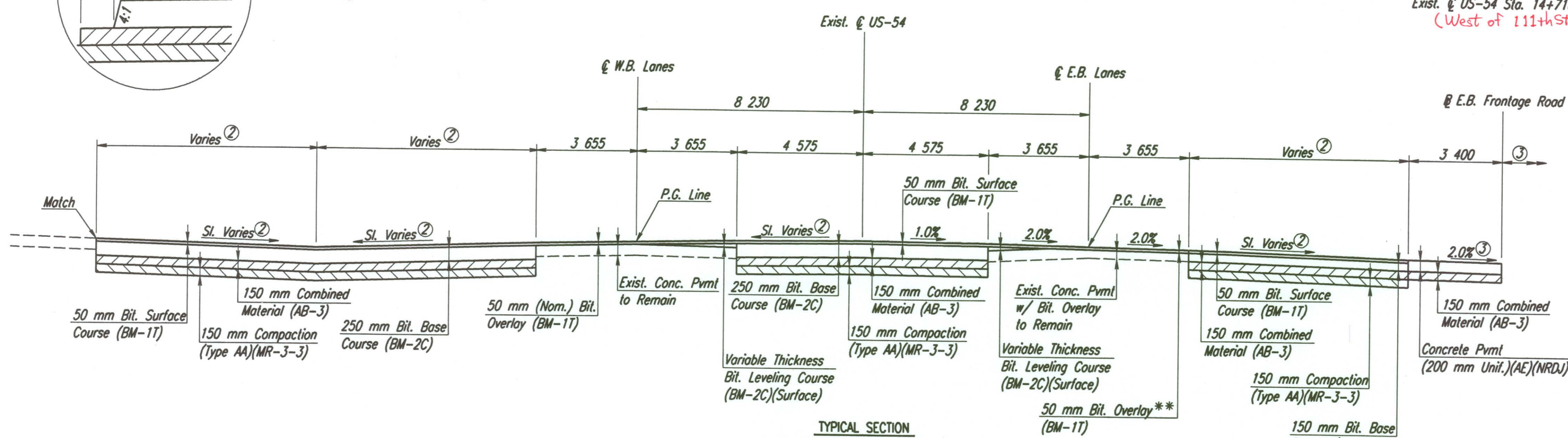
DATE	
BY	
REFERENCES NOTED	
REFERENCES CHECKED	



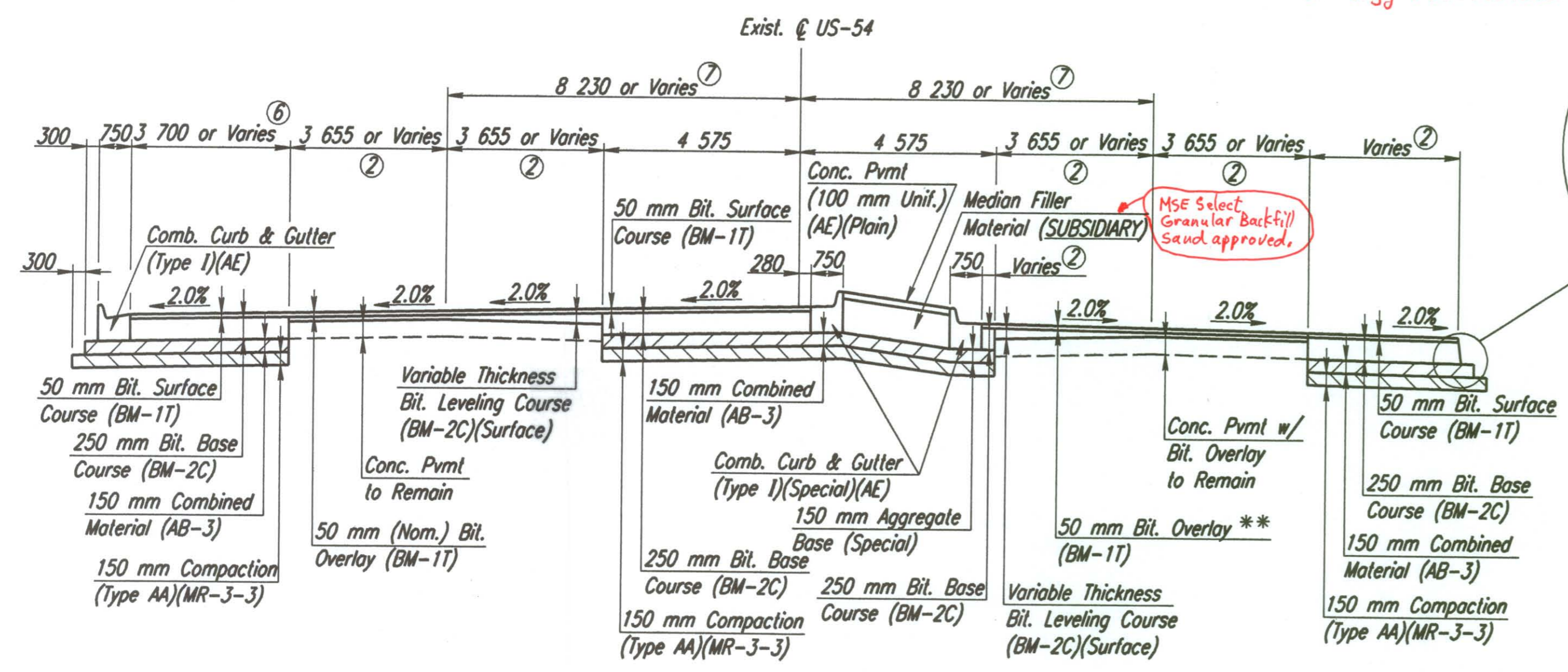
**TYPICAL SECTION**  
Exist. @ US-54 Sta. 14+665 to Sta. 14+716  
(West of 111th St. West)



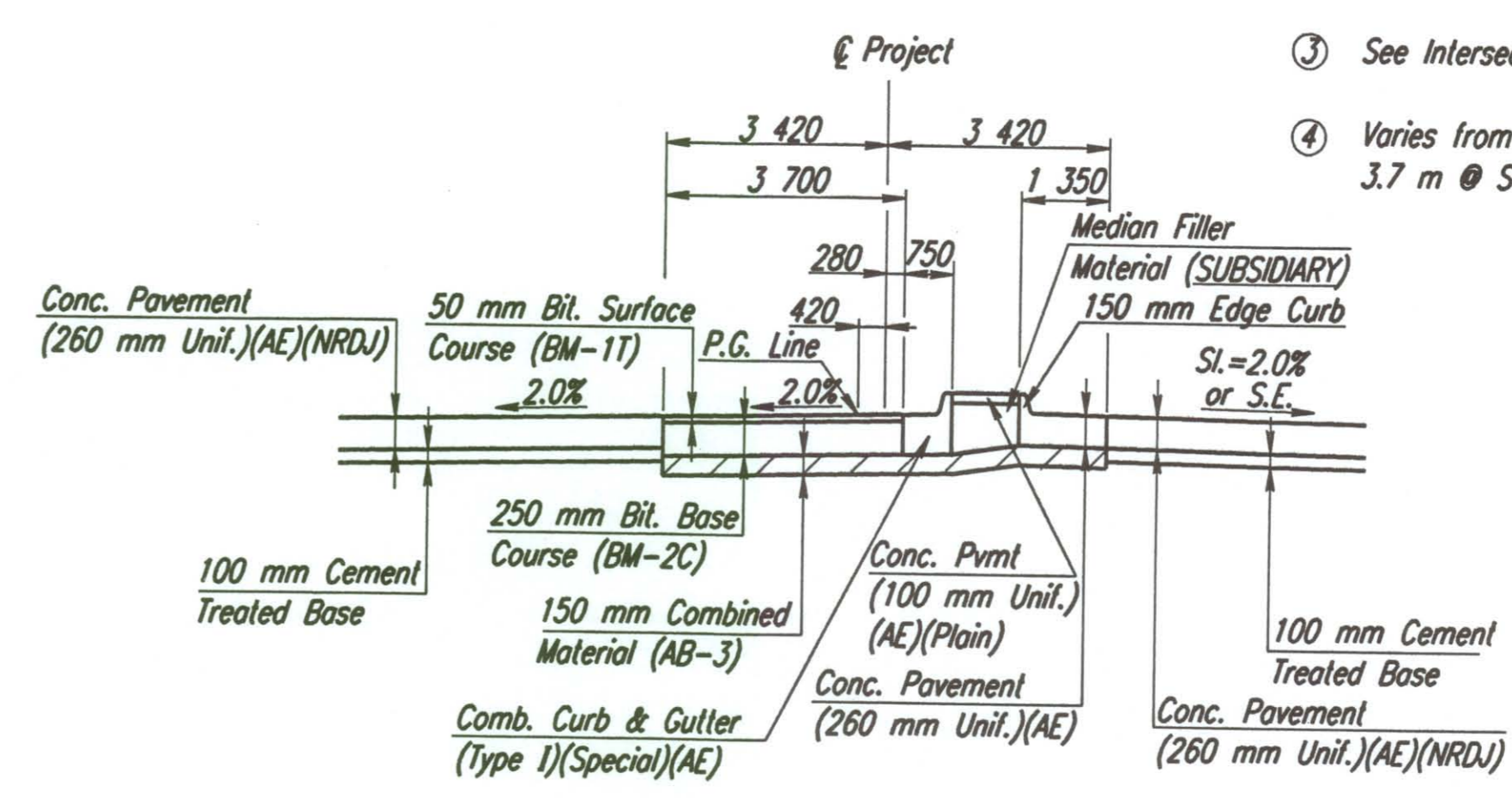
**TYPICAL SECTION**  
Exist. @ US-54 Sta. 14+716 to Sta. 14+795  
(West of 111th St. West)



**TYPICAL SECTION**  
Exist. @ US-54 Sta. 14+795 to Sta. 14+824.133  
(Kellogg & 111th St. West Intersection)



**TYPICAL SECTION**  
Exist. @ US-54 Sta. 14+824.133 to Sta. 14+900  
(East of 111th St. West)



**Median Section**  
Sta. 14+900 to Sta. 14+951.150  
(East of 111th St. West)

- \* See Cross Sections
- \*\* Thickness varies. Milling required to provide 50 mm min. overlay.
- ① Prior to median construction, Contractor shall verify elevations in order to ensure positive drainage to the outside.
- ② See Paving Plans
- ③ See Intersection Detail
- ④ Varies from 0 m @ Sta. 14+686 to 3.7 m @ Sta. 14+716.
- ⑤ See Paving Plan, Mainline Profile and Cross-Slope Transition Diagram for pavement slopes.
- ⑥ Varies from 3.7 m @ Sta. 14+865 to 8.135 m @ Sta. 14+900
- ⑦ Varies from 8.23 m @ Sta. 14+825 to 7.12 m @ Sta. 14+900

DSNR: RCH OPER: SVB SCALE: 1:100  
 I:/1997/97362/TYPSECT/WESTTYP.DGN 11-19-2001 14:50:18 LAST REV: 1-2-2002 BY: svb

No.	Revisions	By	Date

CITY OF WICHITA  
**KELLOGG**  
**TYPICAL SECTIONS**  
**PAVEMENT WIDENING**  
 SEDGWICK COUNTY

**Professional Engineering Consultants, P.A.**  
 303 S. TOPEKA • WICHITA, KANSAS 67202  
 316-262-2691 • FAX 316-262-3003

Designed by	RCH	Checked by	WDH
Drawn by	SVB	Date	April, 2002
		Job No.	97362