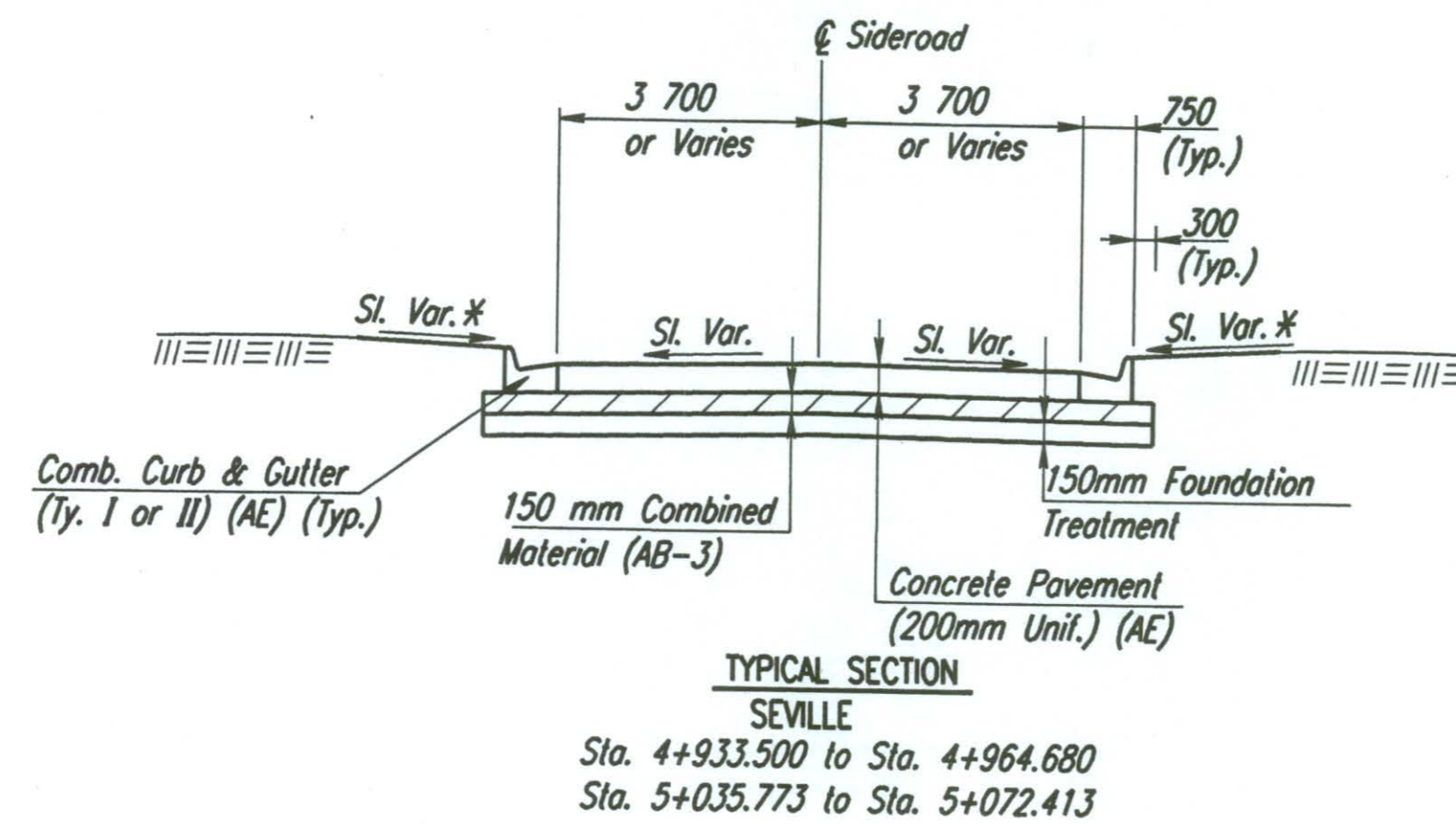
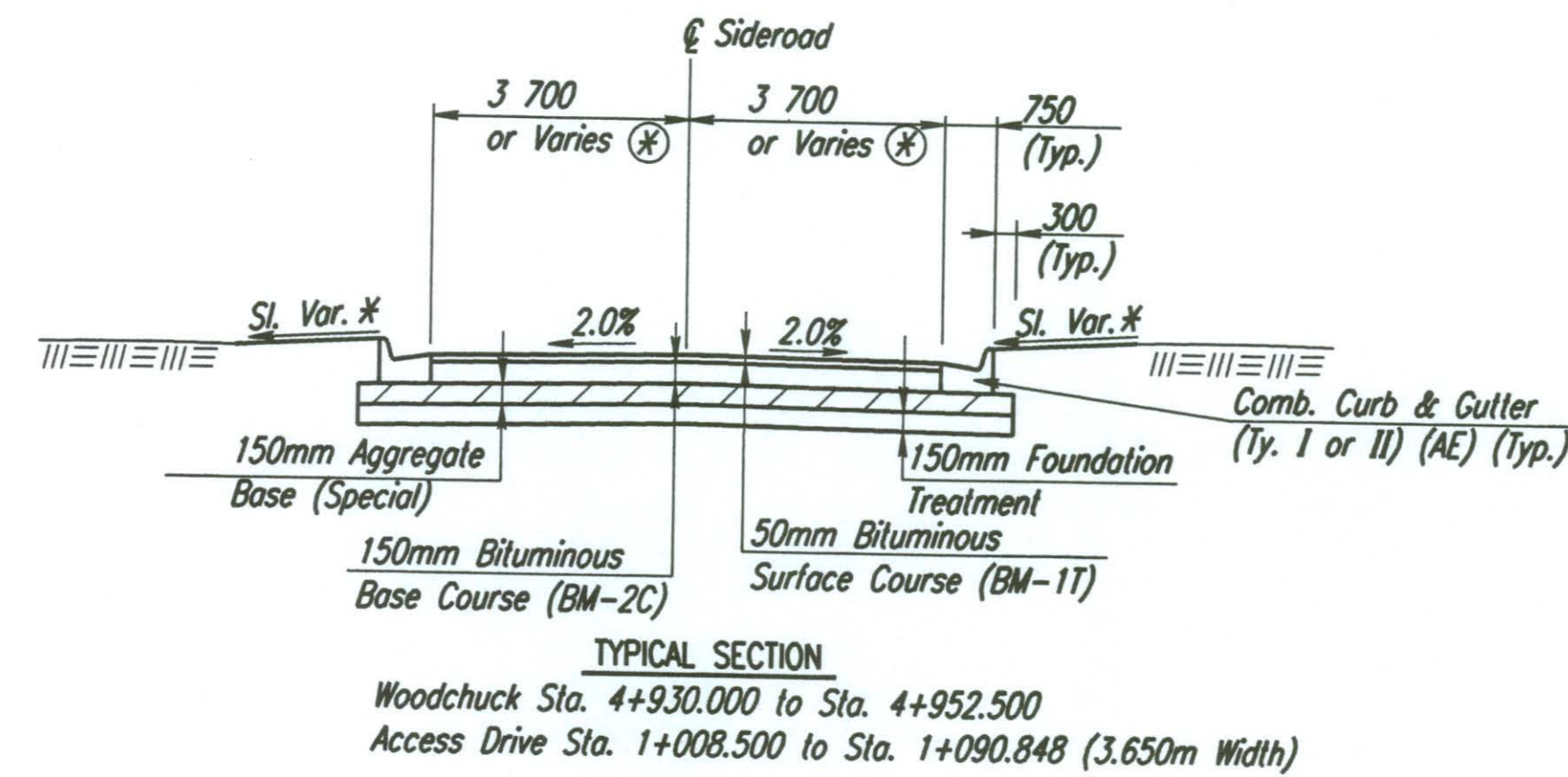
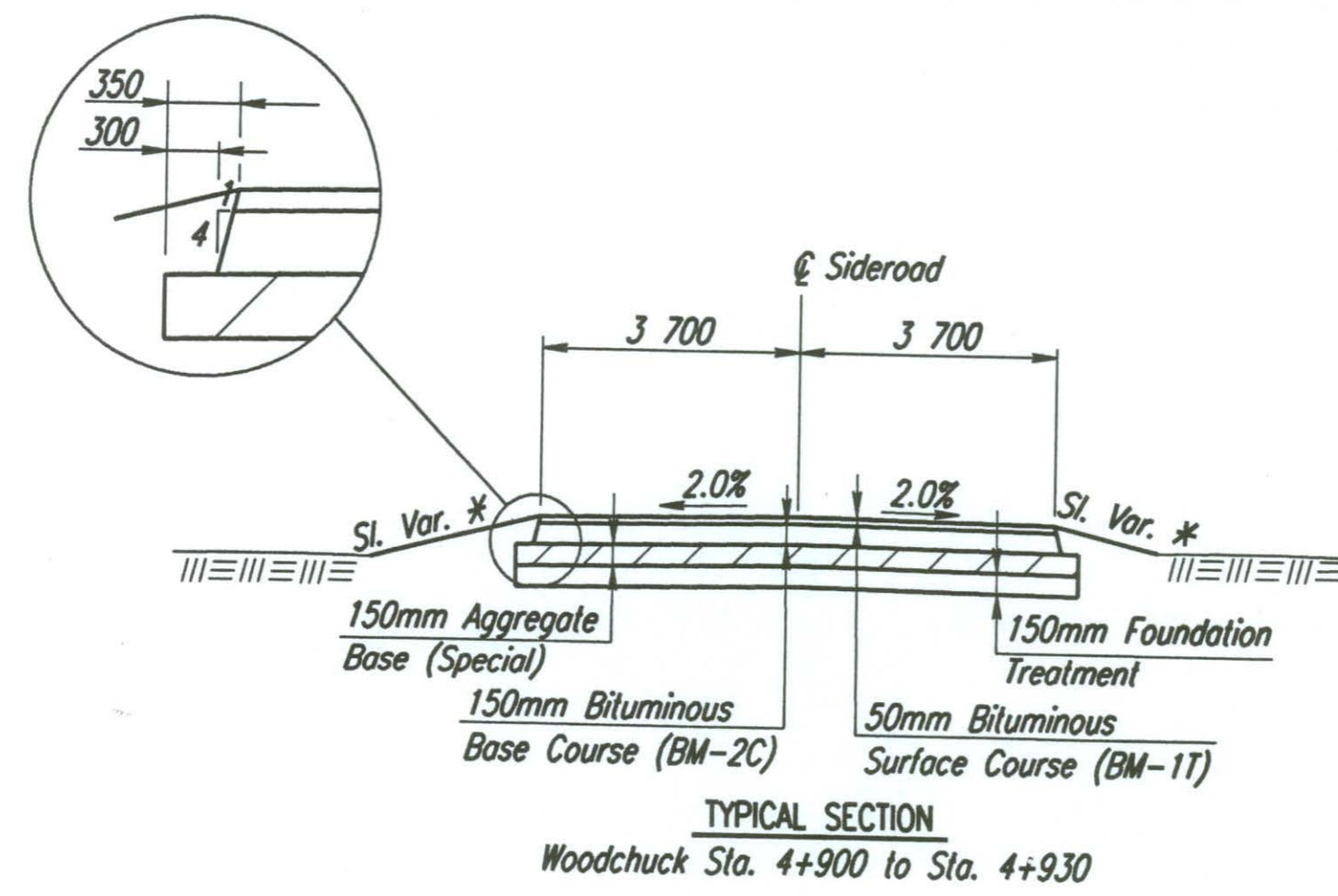


FHWA REGION NO.	STATE	PROJECT NO.	YEAR	SHEET NO.	TOTAL SHEETS
7	KANSAS	54-87 K-6657-01	2002	11	1122




* See cross sections for slope.

⊗ See intersection detail for spot elevations on Access Drive.

DATE	
BY	
REFERENCES NOTED	
REFERENCES CHECKED	

DSNR: RCH OPER: JGP SCALE: 1:100
 I:/1997/97362/TYPSECT/SIDERDTP.DGN 11-05-2001 9:18:02 LAST REV: 12-27-01 BY: JGP

No.	Revisions	By	Date
CITY OF WICHITA			
TYPICAL SECTIONS SIDEROADS			
SEDGWICK COUNTY			
 Professional Engineering Consultants, P.A. 303 S. TOPEKA • WICHITA, KANSAS 67202 316-262-2691 • FAX 316-262-3003			
Designed by	RCH	Checked by	WDH
Drawn by	JGP	Date	Apr 11, 2002 Job No. 97362